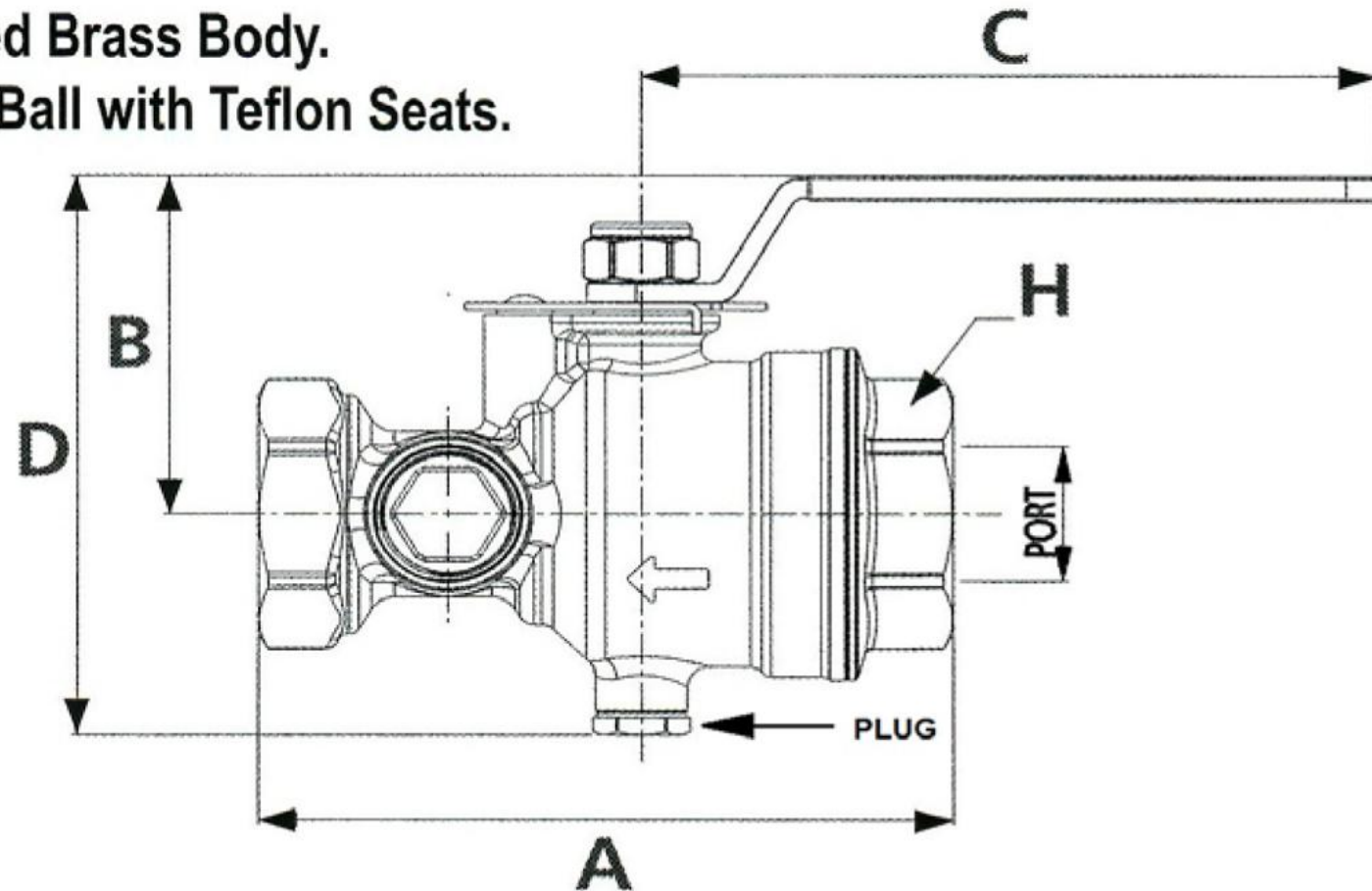


Test Drain Valve

Female NPT Inlet and Outlet.

Forged Brass Body.

Brass Finish Ball with Teflon Seats.



| Part Number | Size | Plug | Port | A | B | C | D | H |
|-------------|--------|------|---------|--------|--------|--------|--------|---------|
| 900-0770 | 1" | 1/4" | 1 1/16" | 5 1/8" | 2 7/8" | 5 1/4" | 4 5/8" | 1 9/16" |
| 900-0780 | 1-1/4" | 1/4" | 1 1/16" | 5 1/8" | 2 7/8" | 5 1/4" | 4 5/8" | 1 9/16" |