

Fox TM Triple Effect Air Vent + Anti Water Hammer Din Series for clean water

Bleeding and Venting Air Vent, Fox TM Combination kinetic air release valve provide 3 functions in one:

1. Large air release during filling of the pipeline
2. Small air release under pressurized pipeline
3. Large air intake during draining of the pipeline

Fox TM Cast Steel Series Air Vent is a release valve, single chamber, triple function with an advanced design with simple mechanism, strong float made in SS316 to prevent cracking during sudden water hammer & quick closure. Aero kinetic mechanism to resist blow shut under higher air velocity even up to sonic velocity of air. During pipe filling it is necessary to discharge as much air as water flows in. FOX TM Air Vent will make sure to perform this task allowing the release during hard working conditions.

Following Archimedes' principle, the float, no longer sustained by water thrust, falls down to free the nozzle hole helping the release of the air pocket, while the upper disk closes the main orifice due to internal pressure. FOX TM avoids the air entrance thanks to a special system, composed of a spring, float and o-ring, whose high sensitivity and accuracy allows the air discharge with a DP across the valve between 0,03 and 0,05 bar.

Features:

- A) Three function in one design + Anti Water Hammer
- B) Body made in long lasting A216 WCB Cast Steel
- C) Standard epoxy coating suitable for highly aggressive environments (Epoxy paint).
- D) Standard trim and floating ball made in stainless steel SS316 CF8M
- E) Standard NBR seat suitable for oil, petrol and water
- F) Standard outside screen for safety and prevent insects or birds in.
- G) No arms or levers to prevent vibrating, bending, direct closure of the float.
- H) Suitable for drinking water, irrigation and clean water.
- I) Maintenance can be easily performed from the top without removing the air valve from the pipe.
- J) Reduces pressure drop

Performance Standard

1. Design & Manufacture standard as to: ASME B31.3
ASME B16.34
2. Height dimension (H) standard as to: MFR-STD
3. Flange dimension conforms as to: BS EN 1092
4. Testing And Inspection as to: API 598
5. Pressure-temperature conforms as to: ASME B16.34
6. Anti Corrosion as per NACE MR-0175(2002) requirement

Technical Data

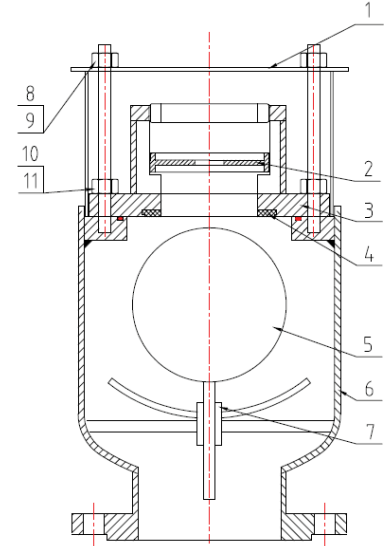
1. Size range: DN100~DN200
2. Pressure ratings: PN16 / PN25
3. Working temperature: -29°~ +80°C.
4. Suitable Medium: drinking water, clean water, and non-corrosive fluids without solid particles.
5. Body Material: GGG40 / ASTM A5366. Standard Trim Material: SS316 CF8M
6. Standard Seat: NBR
7. Standard Floating ball: SS316 CF8M



Part List:

Fox Air Vent Din Series

No.	Part Name	Material	Standard
1.	Cap	F304	ASTM A182
2.	Restriction Orifice	F316	ASTM A182
3.	Cover	GGG40	DIN 1693-1
4.	Seat	NBR	BNS-D00040
5.	Floating Ball	SS316	ASTM A276
6.	Body	GGG40	DIN 1693-1
7.	Buffer bracket	SS316	ASTM A276
8.	Bolt	B7 (Galvanized)	ASTM A193
9.	Nut	2H (Galvanized)	ASTM A194
10.	Bolt	B7 (Galvanized)	ASTM A193
11.	Nut	2H (Galvanized)	ASTM A194



Fox Air Vent Din Series Main Dimensions:

DIN PN16 RF

large dimension standard conforms as to: BS EN 1092

NPS	H	D	D1	D2	S	N-Φ	f	Weight (Kg)
2"	350	165	125	102	20	4-Φ18	3	21
2 1/2"	380	185	145	122	20	8-Φ18	3	27
3"	380	200	160	138	20	8-Φ18	3	29
4"	400	220	180	158	22	8-Φ18	3	38
6"	480	285	240	212	24	8-Φ22	3	45
8"	620	340	295	268	26	12-Φ22	3	74

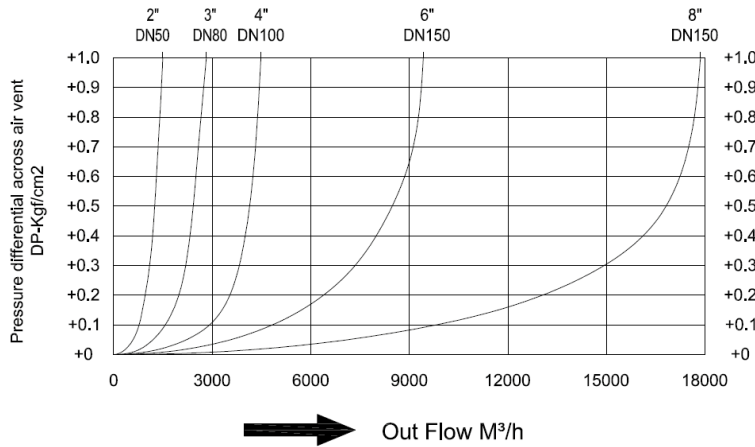
DIN PN25 RF

large dimension standard conforms as to: BS EN 1092

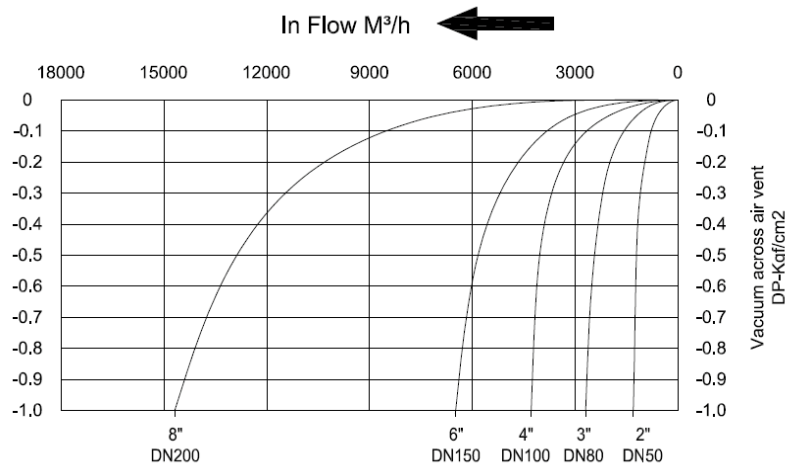
NPS	H	D	D1	D2	S	N-Φ	f	Weight (Kg)
2"	350	165	125	102	20	4-Φ18	3	21
2 1/2"	380	185	145	122	22	8-Φ18	3	27
3"	380	200	160	138	24	8-Φ18	3	29
4"	400	220	180	158	26	8-Φ18	3	38
6"	480	285	240	212	30	8-Φ26	3	45
8"	620	340	295	268	32	12-Φ26	3	74

FOX™ Din Series Graphics

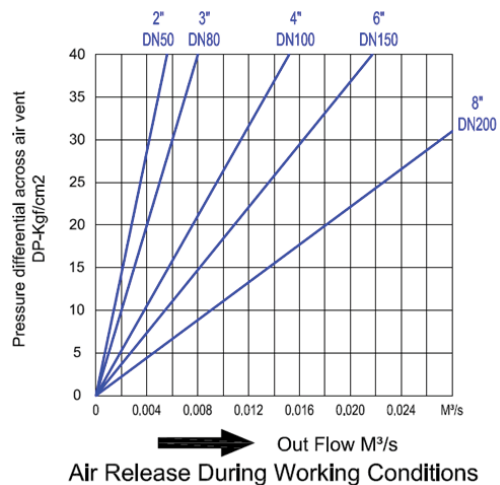
Fox™ Discharge flow rate capacity, by size:



Fox™ vacuum flow rate, by size:



Fox™ automatic air flowing out capacity, at high pressure, by size



ORDERING CODE:

Example: OMEGA CS-23-21-200

Model: OMEGA AIR VENT CAST STEEL SERIES CLASS 150
Standard A216 WCB Body Red Epoxy
SS316 CF8M Interior and floating ball
NBR Buna seat
Flanged End RF
Rating Class 150
Size 2"

Available Interior and Floating Ball Material Code:

SS304 CF8 Stainless Steel: 1
SS316 CF8M Stainless Steel: 2
SS316L CF3M Stainless Steel: 3

Available Seat Material Code:

Viton: 1
EPDM: 2
NBR Buna: 3

Available Rating Class Code:

Class 150: 1
Class 300: 2
Class 600: 3

Available Connection Code:

Thread NPT: 1
Flanged End: 2

Available Size Code:

1": 100
1 1/4": 125
1 1/2": 150
2": 200
2 1/2": 250
3": 300
4": 400
6": 600
8": 800