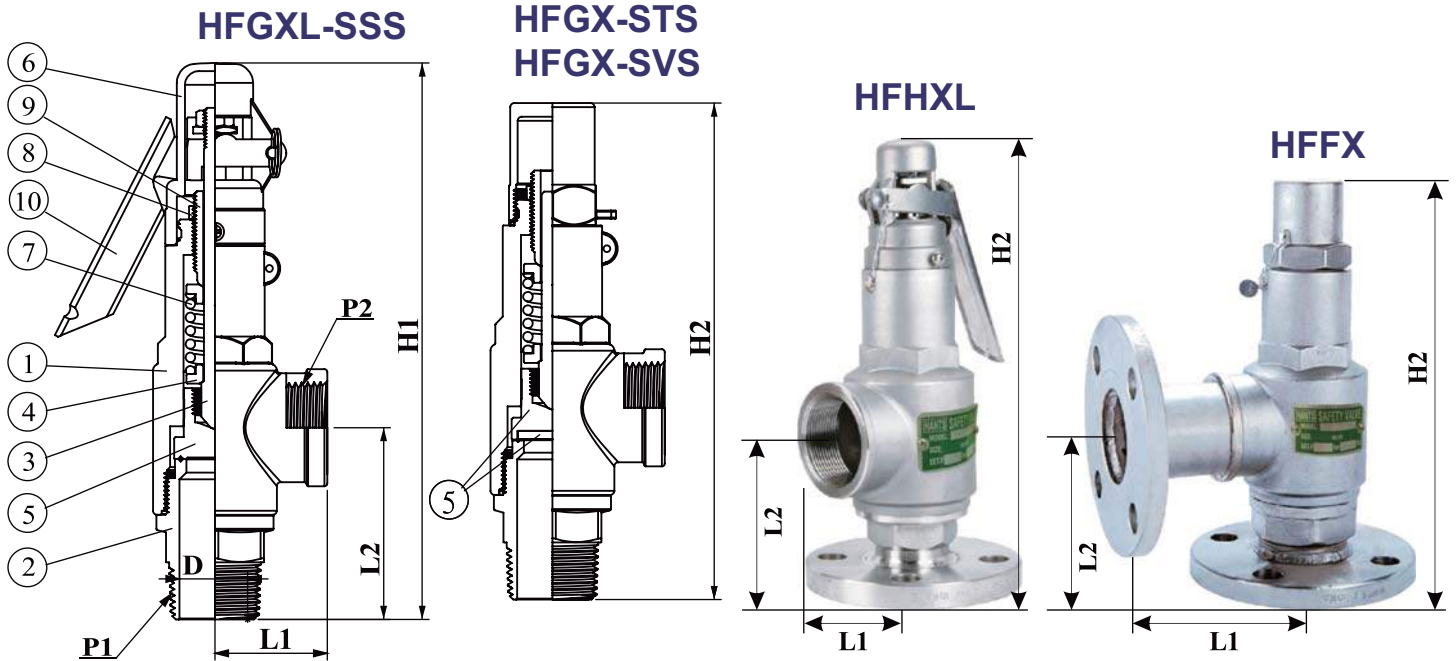


STAINLESS STEEL SAFETY VALVE



General material

| NO | TYPE NAME | HFGXL-SSS | HFGX-SSS | HFGXL-SVS | HFGX-SVS | HFGXL-ST | HFGX-ST | HFHXL | HFFX | HFFXL | HFFX |
|--|--------------|--|--|---|---|--|--|---------------------------------|---------------------------------|---------------------------------|---------------------------------|
| | | Safety Valve with Lever metal to metal | Safety Valve with Sealing metal to metal | Safety Valve with Lever Disc insert Viton | Safety Valve with Sealing Disc insert Viton | Safety Valve with Lever Disc insert PTFE | Safety Valve with Sealing Disc insert PTFE | Inlet: Flange Outlet: Thread | Inlet: Flange Outlet: Thread | Inlet: Flange Outlet: Flange | Inlet: Flange Outlet: Flange |
| 1 | VALVE BODY | SS304/316 | SS304/316 | SS304/316 | SS304/316 | SS304/316 | SS304/316 | SS304/316 | SS304/316 | SS304/316 | SS304/316 |
| 2 | VALVE SEAT | SS316 | SS316 | SS316 | SS316 | SS316 | SS316 | SS304/316 | SS304/316 | SS304/316 | SS304/316 |
| 3 | SPINDLE | SS304 | SS304 | SS304 | SS304 | SS304 | SS304 | SS304 | SS304 | SS304 | SS304 |
| 4 | SPRING SEAT | SS304 | SS304 | SS304 | SS304 | SS304 | SS304 | SS304 | SS304 | SS304 | SS304 |
| 5 | DISC | SS316 | SS316 | SS316+VITON | SS316+VITON | SS316+PTFE | SS316+PTFE | SS316 | SS316 | SS316 | SS316 |
| 6 | CAP | SS304 | SS304 | SS304 | SS304 | SS304 | SS304 | SS304 | SS304 | SS304 | SS304 |
| 7 | SPRING | SS304 | SS304 | SS304 | SS304 | SS304 | SS304 | SS304 | SS304 | SS304 | SS304 |
| 8 | NUT | SS304 | SS304 | SS304 | SS304 | SS304 | SS304 | SS304 | SS304 | SS304 | SS304 |
| 9 | ADJUST SCREW | SS304 | SS304 | SS304 | SS304 | SS304 | SS304 | SS304 | SS304 | SS304 | SS304 |
| 10 | HANDLE | SS304 | - | SS304 | - | SS304 | - | SS304 | - | SS304 | - |
| WORKING PRESSURE (Kg/cm ²) | | 0.1~110 | | 0.1~50 | | 0.1~50 | | 0.1~110 | | 0.1~110 | |
| WORKING TEMP.(°C) | | -196°C~350°C | | -40°C~200°C | | -40°C~200°C | | -196°C~350°C | | -196°C~300°C | |

Dimension (HFGXL-SSS~HFGX-ST/S)

| NOMINAL | | | | | | | | | Weight(Kg) | | |
|---------|---|----|---|----|------|----|-----|-----|------------|-----------|----------|
| P1 | * | D | * | P2 | LIFT | L1 | L2 | H1 | H2 | HFGXL-SSS | HFGX-SSS |
| | | | | | | | | | | HFGXL-SVS | HFGX-SVS |
| | | | | | | | | | | HFGXL-ST | HFGX-ST |
| 1/2 | * | 15 | * | 1 | 1.04 | 41 | 66 | 200 | 179 | 1.376 | 1.266 |
| 3/4 | * | 20 | * | 1 | 1.52 | 41 | 65 | 199 | 177 | 1.354 | 1.244 |
| 1 | * | 21 | * | 1 | 2 | 41 | 71 | 205 | 183 | 1.348 | 1.238 |
| 1 1/4 | * | 33 | * | 2 | 2.56 | 65 | 101 | 285 | 261 | 5.384 | 5.212 |
| 1 1/2 | * | 39 | * | 2 | 3.04 | 65 | 101 | 285 | 261 | 5.23 | 5.058 |
| 2 | * | 39 | * | 2 | 4 | 65 | 104 | 288 | 265 | 5.398 | 5.226 |

Dimension (HFHXL~HFFX)+ Flanged ends

| NOMINAL | | | | LIFT | HFHXL~HFHX | | | | Weight(Kg) | | HFFXL~HFFX | | | | Weight(Kg) | | |
|---------|---|----|---|-------|------------|----|-----|-----|------------|-------|------------|------|-----|-----|------------|-------|------|
| P1 | * | D | * | | P2 | L1 | L2 | H1 | H2 | HFHXL | HFHX | L1 | L2 | H1 | H2 | HFFXL | HFFX |
| 1/2 | * | 15 | * | 1/2 | 1.04 | 41 | 66 | 200 | 179 | 2.5 | 2.3 | 84.5 | 72 | 203 | 182 | 3.4 | 3.3 |
| 3/4 | * | 20 | * | 3/4 | 1.52 | 41 | 72 | - | 183 | - | 2.5 | - | 72 | 203 | - | 3.6 | - |
| 3/4 | * | 20 | * | 1 | 1.52 | 41 | 72 | 199 | - | 2.6 | - | 84.5 | - | - | 182 | - | 3.5 |
| 1 | * | 21 | * | 1 | 2 | 41 | 77 | 205 | 183 | 2.7 | 2.7 | 99 | 77 | 210 | 187 | 3.7 | 3.6 |
| 1 1/4 | * | 33 | * | 1 1/4 | 2.56 | 65 | 101 | 285 | 261 | 7.5 | 6.9 | 128 | 106 | 289 | 265 | 8.6 | 8 |
| 1 1/2 | * | 39 | * | 1 1/2 | 3.04 | 65 | 101 | 285 | 261 | 7.7 | 7 | 135 | 107 | 290 | 266 | 8.9 | 8.2 |
| 2 | * | 39 | * | 2 | 4 | 65 | 104 | 288 | 265 | 8 | 7.2 | 129 | 293 | 293 | 268 | 9.1 | 8.3 |