

## THREE-PIECE HIGH PERFORMANCE FIRE-SAFE BALL VALVE

### Model : HP32-3600

#### Design feature:

- Applications for Hydraulic, Chemical, Steam, Oil/ Gas, Oxygen, Vacuum.
- Extremely Rugged 3-Piece Design Withstand Extremes In Piping Enclose Bolt Design, Stress And Thermal Shock.
- Integral ISO 5211 mounting pad for double & spring return actuator.
- Self-adjusting stem packing assembly with Belleville spring for temperature fluctuations, vibration, and is secured.
- API 607 Fire-Safe approved.
- Thrust washer prevents galling, reduces torque and provides secondary stem seal.
- Long cycle life, Low uniform torques.
- Bottom Entry Blow-Out Proof Stem design Provides Maximum Safety.
- Wide range of seat & seal materials is available.
- Investment cast body construction.
- din EN 10204-3.1 Certificate Available

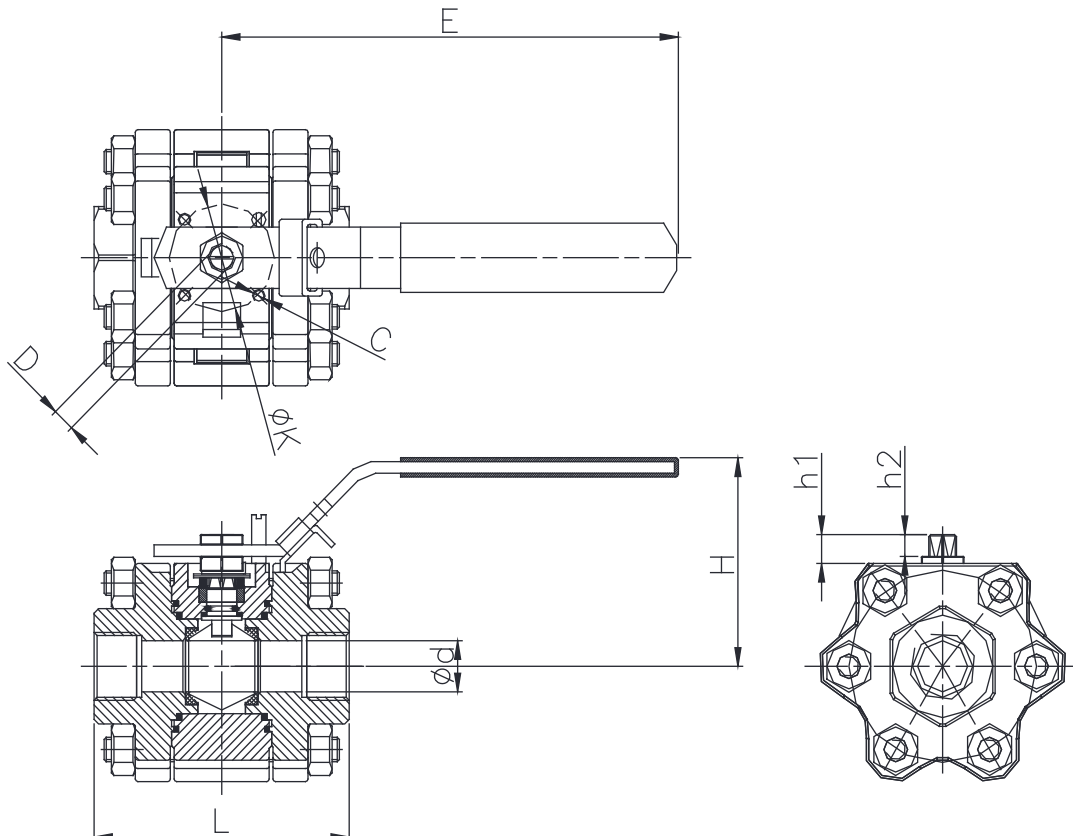


#### Specifications:

- Construction: 3-pc bolted body side-entry floating ball design.
- Flow bore: Full/ Standard port.
- Rating: 3600 PSI@100°F; 150 PSI Saturated Steam.
- Temperature: -20°F ~ 176°F (Delrin)
- Materials: ASTM CF8M, CF8, WCB
- Size range: 1/2" - 4"

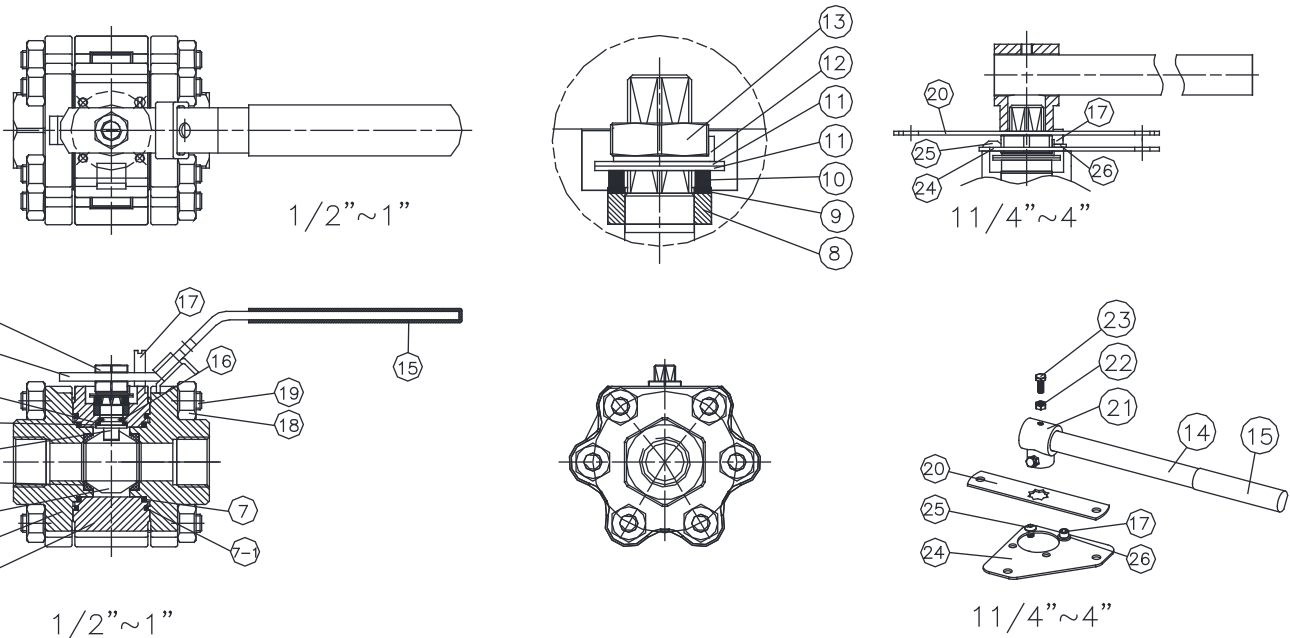
#### Standard:

- Female pipe Threaded to NPT, Rp, Rc, G..
- Inspection & testing according to API 598.
- API 607 5th Edition Fire-Safe Test approved.
- PED 97/23/EC; ISO 9001.



## THREE-PIECE HIGH PERFORMANCE FIRE-SAFE BALL VALVE

### Model : HP32-3600



#### Dimensions Full Port (mm) :

INCH	d	L	E	H	D	K	C	H1	H2	ISO 5211
1/2"	16	89	151	68	9	42	M5	11.9	8.8	F04
3/4"	20	102	183	82	9	42	M5	11.3	8.5	F04
1"	25	111	183	96	11	42	M5	16	11.8	F04
1-1/4"	32	119	285	114	14	50	M6	24.7	16	F05
1-1/2"	38	126	285	121	14	50	M6	21.1	14	F05
2"	50	148	285	130	14	50	M6	19.5	12.5	F05
2-1/2"	65	198	477	162	17	70	M8	22.1	13.7	F07
3"	80	222.4	477	173	17	70	M8	21.4	13	F07
4"	100	256.8	477	198	22	102	M10	36.6	24	F10

#### MATERIALS LIST:

NO	PART NAME	MATERIAL	NO	PART NAME	MATERIAL
1	BODY	CF8M / WCB	13	NUT	SS304
2	ENDCAP	CF8M / WCB	14	HANDLE	SS304
3	SOLID BALL	CF8M / CF8	15	HANDLE SLEEVE	VINYL
4	BALL SEAT	Delrin	16	O-RING	VITON
5	STEM	17-4PH	17	STOP PING	SS304
6	THRUST WASHER	GRAPHITE	18	NUT	A2-70/ 2HM
6-1	THRUST WASHER	PTFE	19	BOLT	SS304/ B7M
7	BODY SEAL	GRAPHITE	20	STOP PLATE	SS304
7-1	BODY SEAL	PTFE	21	ADAPTER	SS304
8	STEM PACKING	GRAPHITE	22	NUT	SS304
9	THRUST WASHER	TFM-1600	23	BOLT	SS304
10	GLAND	SS304	24	STOP PLATE	SS304
11	BELLEVILLE SPRING	SS304-CSP	25	BOLT	SS304
12	SADDLE WASHER	SS304	26	WASHER	SS304