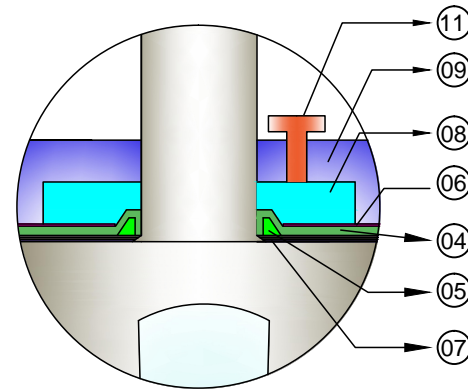


DETAIL-X



NOTES:

DRILLING STD	ANSI B 16.5
F - F DIMENSION	As per ANSI B 16.10
DESIGN STANDARD	BS5353 & API - 599
TESTING PRESSURE	API - 598 & 6755 PART - 1

Size	Pr.CLASS	F-F	FØ	F.T	RFØ	RFT	P.C.D	NOH	HOLESØ
25	150#	127	108	11	51	1.6	79	4	16
40	150#	165	127	14.3	73	1.6	98	4	16
50	150#	178	152	16	92	1.6	121	4	19
80	150#	203	190	19	127	1.6	152	4	19

14	Static Eliminator	AISI 304
13	Handle Rod	MILD STEEL (I S 2062)
12	Handle Cup	ASTM A351 Gr.CF3
11	Thrust Compressor Bolt	AISI 304
10	Fasteners	AISI 304
09	Cover Plate	ASTM A351 Gr.CF8
08	Thrust Collar	AISI 304
07	Teflon Washer	PTFE
06	Metal Diaphragm	AISI 304
05	Wedge ring	PTFE
04	Diaphragm	PTFE
03	Sleeve	PTFE
02	Plug	ASTM A351 Gr.CF8M
01	Valve Body	ASTM A351 Gr.CF8M

P.O. NO. & DATE

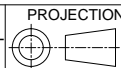
CLIENT :

	NAME	DATE	SIGN
DRAWN	VIJAY	18.04.2017	<i>[Signature]</i>
CHECKED	K.K.M	18.04.2017	<i>[Signature]</i>
APPROVED	RAVI	18.04.2017	<i>[Signature]</i>

RASAI FLOW LINES PVT. LTD.
 15D/2, Sipcot Industrial Complex
 Pudukottai - 622 002

ISO 9001-2008

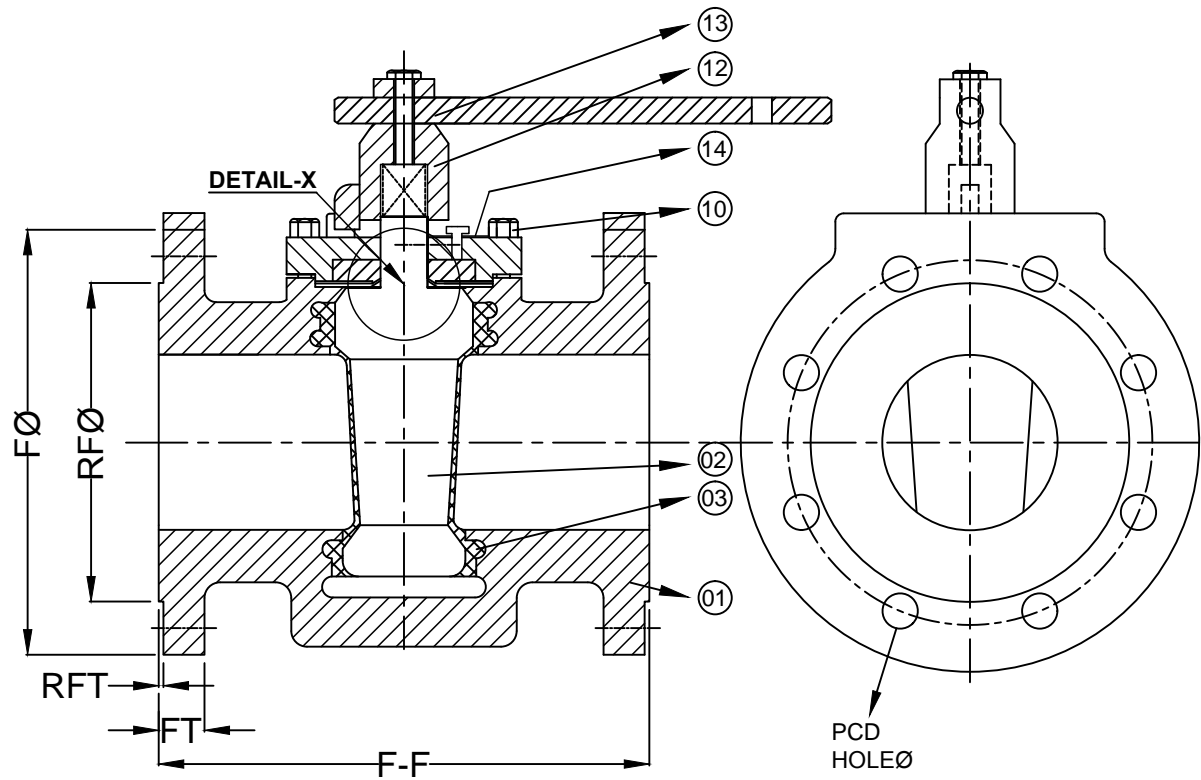
TITLE:-
 2-WAY SLEEVED PLUG VALVE ASSLY -
 WRENCH CLASS-150#



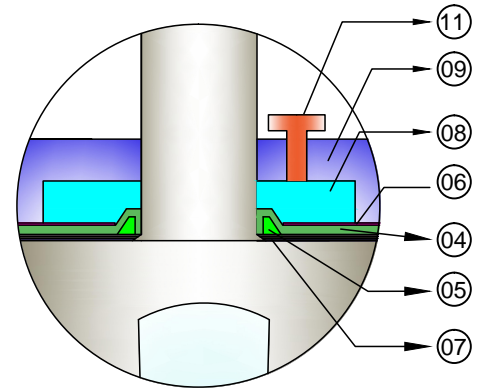
DRG NO : 170418A

All Dimensions are in mm

REV:	DATE	DETAILS OF REVISION	REVISED BY	APPROVED



DETAIL-X



NOTES:

DRILLING STD	ANSI B 16.5
F - F DIMENSION	As per ANSI B 16.10
DESIGN STANDARD	BS5353 & API - 599
TESTING PRESSURE	API - 598 & 6755 PART - 1

Size	Pr.CLASS	F-F	FØ	F.T	RFØ	RFT	P.C.D	NOH	HOLESØ
100	150#	229	229	24	157	1.6	190	8	19

14	Static Eliminator	AISI 304
13	Handle Rod	MILD STEEL (I S 2062)
12	Handle Cup	ASTM A351 Gr.CF3
11	Thrust Compressor Bolt	AISI 304
10	Fasteners	AISI 304
09	Cover Plate	ASTM A351 Gr.CF8
08	Thrust Collar	AISI 304
07	Teflon Washer	PTFE
06	Metal Diaphragm	AISI 304
05	Wedge ring	PTFE
04	Diaphragm	PTFE
03	Sleeve	PTFE
02	Plug	ASTM A351 Gr.CF8M
01	Valve Body	ASTM A351 Gr.CF8M

P.O. NO. & DATE

CLIENT :

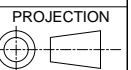
	NAME	DATE	SIGN
DRAWN	VIJAY	18.04.2017	<i>[Signature]</i>
CHECKED	K.K.M	18.04.2017	<i>[Signature]</i>
APPROVED	RAVI	18.04.2017	<i>[Signature]</i>



RASAI FLOW LINES PVT. LTD.
15D/2, Sipcot Industrial Complex
Pudukottai - 622 002

ISO 9001-2008

TITLE:-
2-WAY SLEEVED PLUG VALVE ASSLY -
WRENCH CLASS-150#



All Dimensions are in mm

DRG NO : 170418B

REV:	DATE	DETAILS OF REVISION	REVISED BY	APPROVED