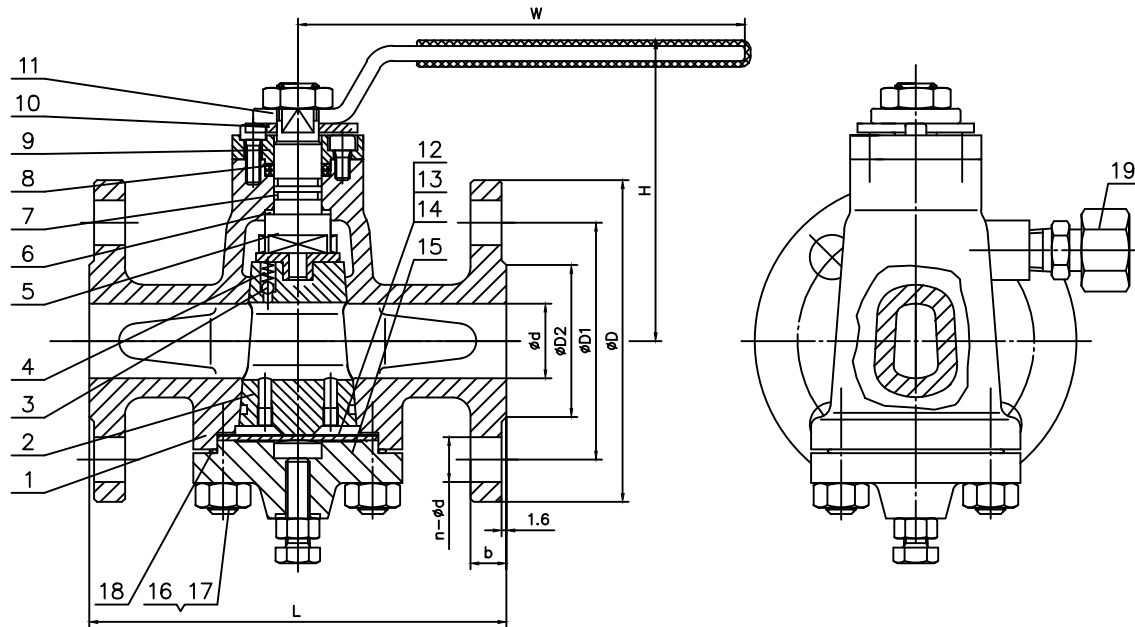


Nominal Diameter		Main Dimension (mm)								
inches	mm	d	D	D1	D2	L	H	W	b	n- ϕ d
1"	25	25	108	79.5	51	140	101	180	12	4- ϕ 16
1 1/2"	40	38	127	98.5	73	165	132	240	15	4- ϕ 16



19	Injection Fitting	AISI 1025+Zn	
18	O-Ring	VITON	
17	Nut	ASTM A194 2H	
16	Cover bolt	ASTM A193 B7	
15	Cover	ASTM A216 WCB	
14	Steel Plate	Carbon Steel	
13	Metal Diaphragm	Stainless Steel	
12	Gasket	Graphite+SS	
11	Lever	Carbon Steel	
10	Stop Plate	Carbon Steel	
9	Gland Flange	ASTM A105	
8	Stem Packing	Graphite	
7	O-Ring	VITON	
6	Stem Seat	PTFE	
5	Stem	ASTM A182 F6a	
4	Spring	S.S	
3	Steel Ball	S.S	
2	Plug	ASTM A216 WCB+Nitriding	
1	Body	ASTM A216 WCB	
NO	PART NAME	MATERIAL	REMARKS
Design and Manufacture		API 6D	
Face to Face Dimensions		ANSI B16.10	
Flange Ends Dimensions		ANSI B16.5	
Pressure Test		API 598	

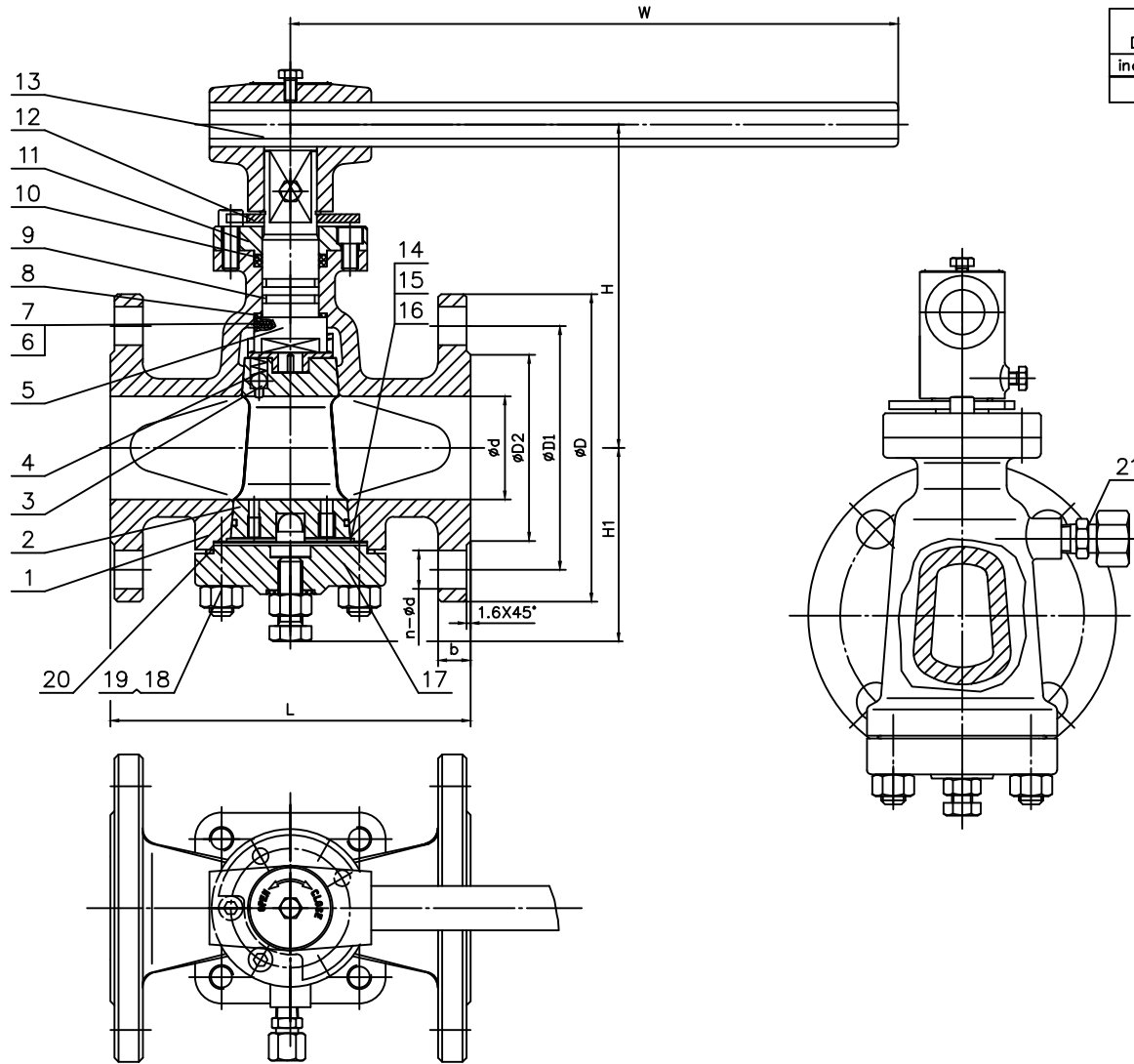
we reserve the right to alter the dimensions and information contained in this leaflet as required



DIE ERSTE INDUSTRY CO., LTD.
TAICHUNG, TAIWAN

SHEET 1 OF 1		DRWN BY: Simon	REVIEW BY:	APPROVAL BY:	UNIT: mm	DO NOT SCALE DRAWING	TITLE:	REV
REMARK	KFL	17/05/19			PROJECT: 	DWG. NO.	Lubricate Type Plug Valve 1"-1-1/2" CLASS 150	1.0

PROPRIETARY AND CONFIDENTIAL
THE INFORMATION CONTAINED IN THIS DRAWING IS THE SOLE PROPERTY OF DIE ERSTE INDUSTRY CO., LTD. . ANY REPRODUCTION IN PART OR AS A WHOLE WITHOUT THE WRITTEN PERMISSION OF DIE ERSTE INDUSTRY CO.,LTD. IS PROHIBITED.



Nominal Diameter		Main Dimension (mm)									
inches	mm	d	D	D1	D2	L	H	H1	W	b	n-Ød
2"	50	49	152	120.5	92	178	162	96	350	19	4-Ø19

21	Injection Fitting	AISI 1025+Zn	
20	O-Ring	VITON	
19	Nut	ASTM A194 2H	
18	Cover bolt	ASTM A193 B7	
17	Cover	ASTM A216 WCB	
16	Steel Plate	Carbon Steel	
15	Metal Diaphragm	Stainless Steel	
14	Gasket	Graphite+SS	
13	Lever	Carbon Steel	
12	Stop Plate	Carbon Steel	
11	Gland Flange	ASTM A105	
10	Stem Packing	Graphite	
9	O-Ring	VITON	
8	Stem Seat	PTFE	
7	Smallball	S.S	
6	Smallspring	S.S	
5	Stem	ASTM A182 F6a	
4	Spring	S.S	
3	Steel Ball	S.S	
2	Plug	ASTM A216 WCB+Nitriding	
1	Body	ASTM A216 WCB	
NO	PART NAME	MATERIAL	REMARKS
	Design and Manufacture		API 6D
	Face to Face Dimensions		ANSI B16.10
	Flange Ends Dimensions		ANSI B16.5
	Pressure Test		API 598

we reserve the right to alter the dimensions and information contained in this leaflet as required

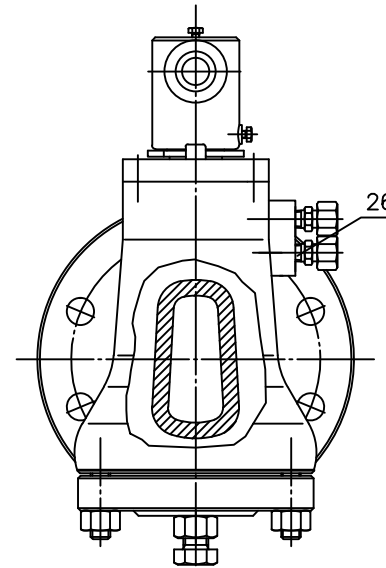
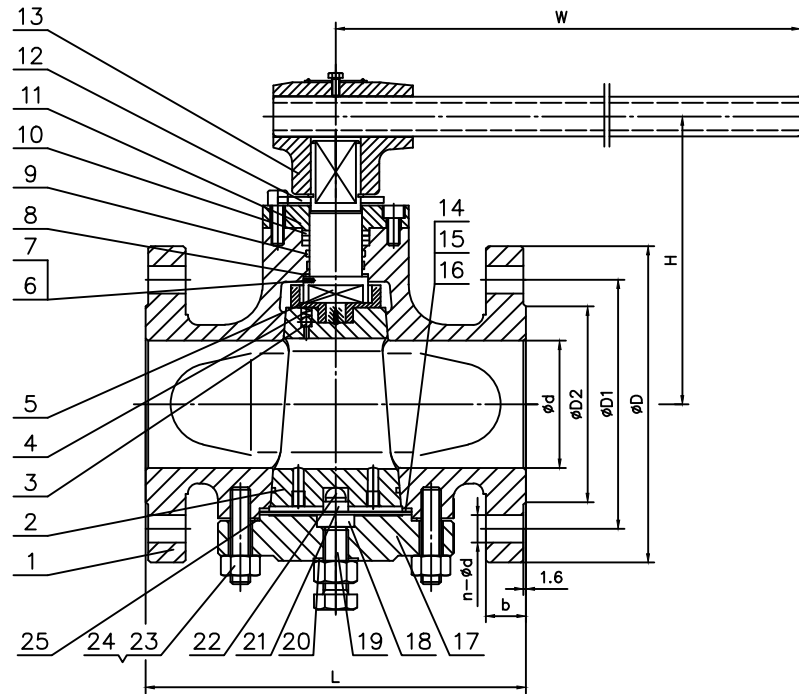


DIE ERSTE INDUSTRY CO., LTD,
TAICHUNG, TAIWAN

SHEET 1 OF 1		DRWN BY: Simon	REVIEW BY:	APPROVAL BY:	UNIT: mm	DO NOT SCALE DRAWING	TITLE: Lubricate Type Plug Valve 2" CLASS 150	REV 1.0
REMARK	KFL	17/05/19			PROJECT: 	DWG. NO.		

PROPRIETARY AND CONFIDENTIAL
THE INFORMATION CONTAINED IN THIS DRAWING IS THE SOLE PROPERTY OF DIE ERSTE INDUSTRY CO., LTD. . ANY REPRODUCTION IN PART OR AS A WHOLE WITHOUT THE WRITTEN PERMISSION OF DIE ERSTE INDUSTRY CO.,LTD. IS PROHIBITED.

Nominal Diameter		Main Dimension (mm)								
inches	mm	d	D	D1	D2	L	H	W	b	n- ϕ d
3"	80	74	190	152.5	127	203	224	500	19	4- ϕ 19



26	Injection Fitting	AISI 1025+Zn	
25	O-Ring	VITON	
24	Nut	ASTM A194 2H	
23	Cover bolt	ASTM A193 B7	
22	Ball	ASTM A216 WCB	
21	Block2	ASTM A276 420	
20	Washer	VITON	
19	Bolt	ASTM A193 B7	
18	Block1	ASTM A276 420	
17	Cover	ASTM A216 WCB	
16	Steel Plate	Carbon Steel	
15	Metal Diaphragm	Stainless Steel	
14	Gasket	Graphite+SS	
13	Lever	Carbon Steel	
12	Stop Plate	Carbon Steel	
11	Gland Flange	ASTM A105	
10	Stem Packing	Graphite	
9	O-Ring	VITON	
8	Stem Seat	PTFE	
7	Smallball	S.S	
6	Smallspring	S.S	
5	Stem	ASTM A182 F6a	
4	Spring	S.S	
3	Steel Ball	S.S	
2	Plug	ASTM A216 WCB+Nitriding	
1	Body	ASTM A216 WCB	
NO	PART NAME	MATERIAL	REMARKS
	Design and Manufacture	API 6D	
	Face to Face Dimensions	ANSI B16.10	
	Flange Ends Dimensions	ANSI B16.5	
	Pressure Test	API 598	

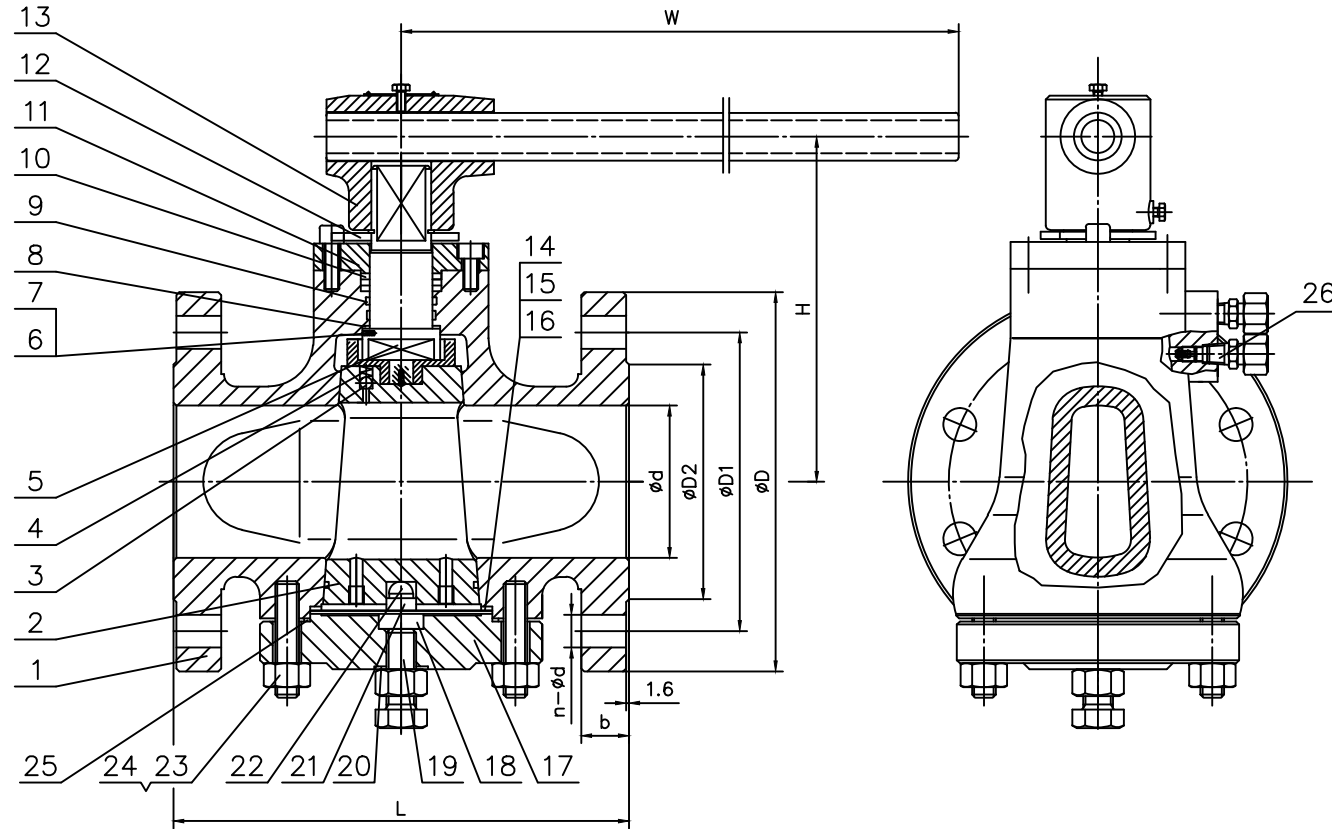
we reserve the right to alter the dimensions and information contained in this leaflet as required



DIE ERSTE INDUSTRY CO., LTD.
TAICHUNG, TAIWAN

SHEET 1 OF 1		DRWN BY: Simon 17/05/19	REVIEW BY:	APPROVAL BY:	UNIT: mm	DO NOT SCALE DRAWING	TITLE: Lubricate Type Plug Valve 3" CLASS 150	REV 1.0
REMARK	KFL				PROJECT: 	DWG. NO.		

Nominal Diameter		Main Dimension (mm)								
inches	mm	d	D	D1	D2	L	H	W	b	n- ϕ d
4"	100	100	229	190.5	157	229	262	700	24	8- ϕ 19



26	Injection Fitting	AISI 1025+Zn	
25	O-Ring	VITON	
24	Nut	ASTM A194 2H	
23	Cover bolt	ASTM A193 B7	
22	Ball	ASTM A216 WCB	
21	Block2	ASTM A276 420	
20	Washer	VITON	
19	Bolt	ASTM A193 B7	
18	Block1	ASTM A276 420	
17	Cover	ASTM A216 WCB	
16	Steel Plate	Carbon Steel	
15	Metal Diaphragm	Stainless Steel	
14	Gasket	Graphite+SS	
13	Lever	Carbon Steel	
12	Stop Plate	Carbon Steel	
11	Gland Flange	ASTM A105	
10	Stem Packing	Graphite	
9	O-Ring	VITON	
8	Stem Seat	PTFE	
7	Smallball	S.S	
6	Smallspring	S.S	
5	Stem	ASTM A182 F6a	
4	Spring	S.S	
3	Steel Ball	S.S	
2	Plug	ASTM A216 WCB+Nitriding	
1	Body	ASTM A216 WCB	
NO	PART NAME	MATERIAL	REMARKS
	Design and Manufacture	API 6D	
	Face to Face Dimensions	ANSI B16.10	
	Flange Ends Dimensions	ANSI B16.5	
	Pressure Test	API 598	

we reserve the right to alter the dimensions and information contained in this leaflet as required

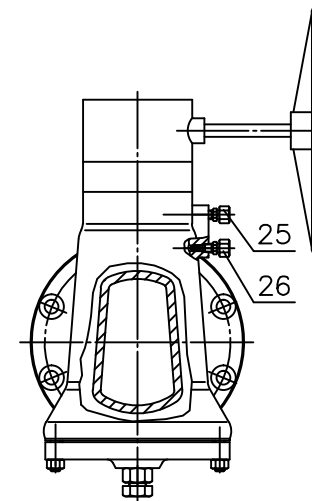
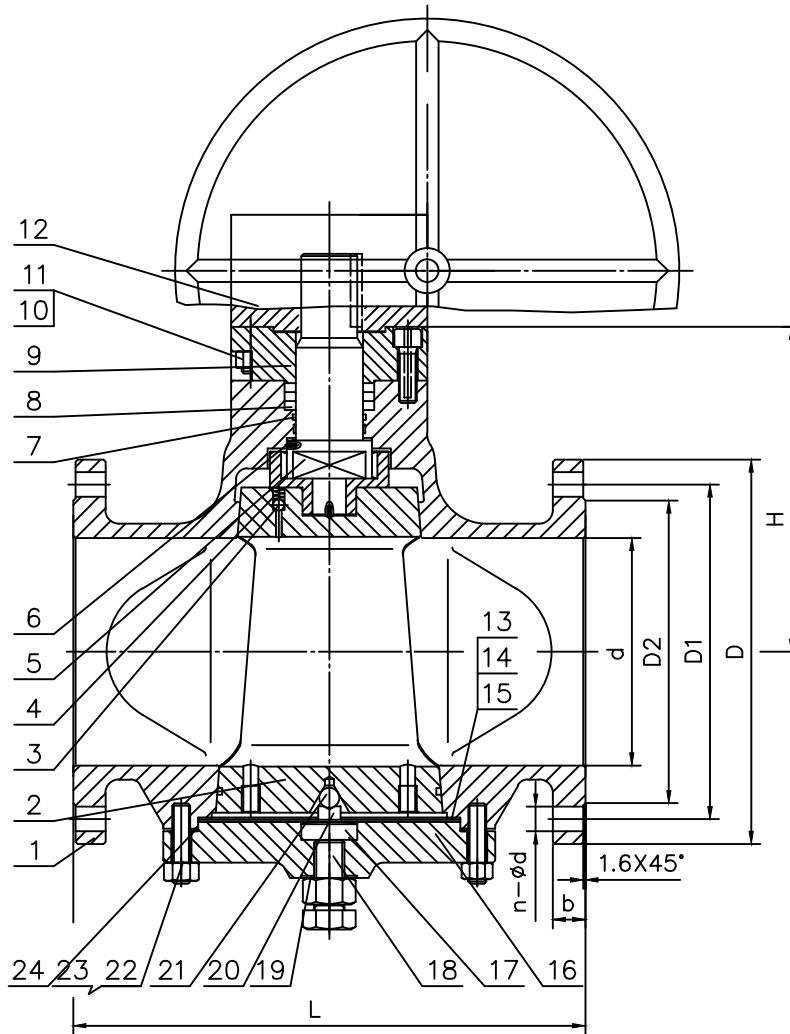


DIE ERSTE INDUSTRY CO., LTD,
TAICHUNG, TAIWAN

SHEET 1 OF 1		DRWN BY: Simon 17/05/19	REVIEW BY:	APPROVAL BY:	UNIT: mm	DO NOT SCALE DRAWING	TITLE: Lubricate Type Plug Valve 4" CLASS 150	REV 1.0
REMARK	KFL				PROJECT: 	DWG. NO.		

PROPRIETARY AND CONFIDENTIAL
THE INFORMATION CONTAINED IN THIS DRAWING IS THE SOLE PROPERTY OF DIE ERSTE INDUSTRY CO., LTD. . ANY REPRODUCTION IN PART OR AS A WHOLE WITHOUT THE WRITTEN PERMISSION OF DIE ERSTE INDUSTRY CO.,LTD. IS PROHIBITED.

Nominal Diameter		Main Dimension (mm)							
inches	mm	d	D	D1	D2	L	H	b	n- ϕ d
6"	150	150	279	241.5	216	394	265	26	8- ϕ 22



26	Injection Fitting	Carbon Steel	
25	Injection Fitting	Carbon Steel	
24	O-Ring	Viton	
23	Bolt	ASTM A193 B7	
22	Nut	ASTM A193 2H	
21	Ball	ASTM A276 420	
20	Block2	ASTM A276 420	
19	Washer	PTFE/Rubber	
18	Bolt	ASTM A276 420	
17	Block1	ASTM A276 420	
16	Cover	ASTM A216 WCB	
15	Steel Plate	Carbon Steel	
14	Metal Diaphragm	Stainless Steel	
13	Gasket	Graphite+SS	
12	Gear Box	C.S	
11	Nut	ASTM A193 2H	
10	Bolt	ASTM A193 B7	
9	Top Flange	ASTM A105	
8	Packing	Graphite	
7	O-Ring	Viton	
6	Thrust Washer	PTFE	
5	Stem	ASTM A182 F6a	
4	Spring	S.S	
3	Steel Ball	S.S	
2	Plug	ASTM A216 WCB+Nitriding	
1	Body	ASTM A216 WCB	
NO	PART NAME	MATERIAL	REMARKS
Design and Manufacture		API 6D	
Face to Face Dimensions		ANSI B16.10	
Flange Ends Dimensions		ANSI B16.5	
Pressure Test		API 598	

we reserve the right to alter the dimensions and information contained in this leaflet as required



DIE ERSTE INDUSTRY CO., LTD,
TAICHUNG, TAIWAN

SHEET 1 OF 1		DRWN BY: Simon 17/05/19	REVIEW BY:	APPROVAL BY:	UNIT: mm	DO NOT SCALE DRAWING	TITLE: Lubricate Type Plug Valve 6"-Gear CLASS 150	REV 1.0
REMARK	KFL				PROJECT: 	DWG. NO.		