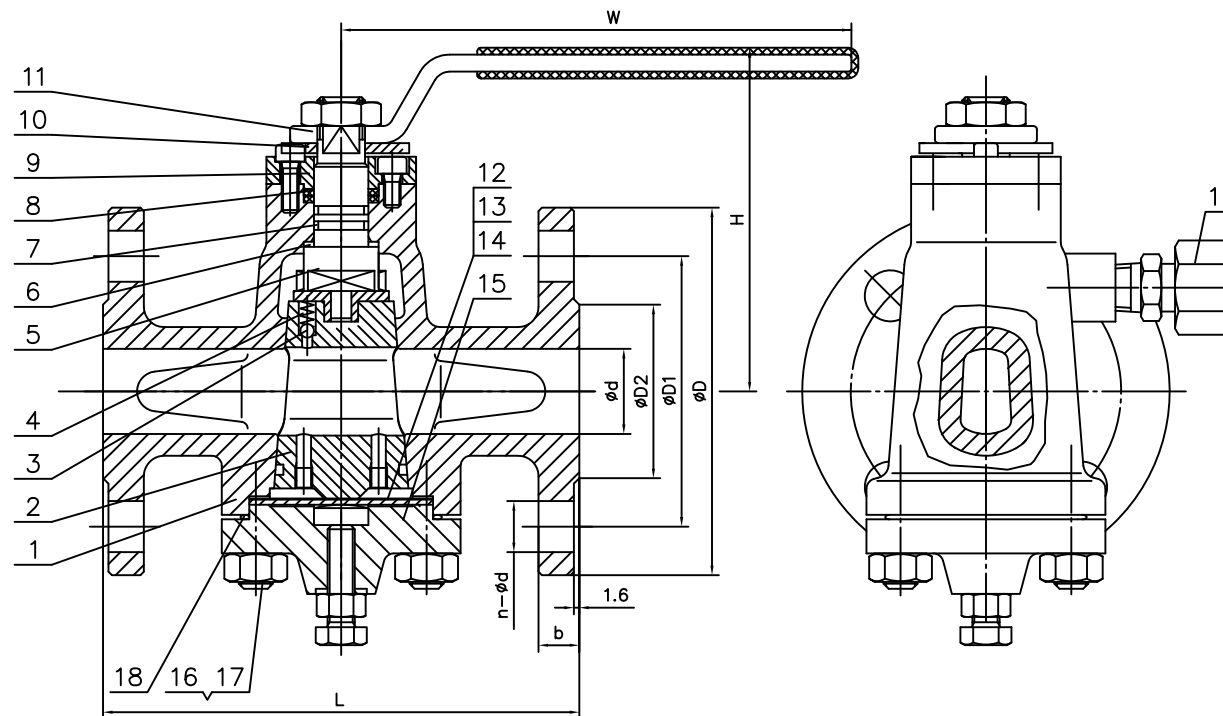


Nominal Diameter		Main Dimension (mm)									
inches	mm	d	D	D1	D2	L	H	W	b	n- ϕ d	
1"	25	25	124	89	51	159	101	180	18	4- ϕ 19	



19	Injection Fitting	AISI 1025+Zn	
18	O-Ring	VITON	
17	Nut	ASTM A194 2H	
16	Cover bolt	ASTM A193 B7	
15	Cover	ASTM A216 WCB	
14	Steel Plate	Carbon Steel	
13	Metal Diaphragm	Stainless Steel	
12	Gasket	Graphite+SS	
11	Lever	Carbon Steel	
10	Stop Plate	Carbon Steel	
9	Gland Flange	ASTM A105	
8	Stem Packing	Graphite	
7	O-Ring	VITON	
6	Stem Seat	PTFE	
5	Stem	ASTM A182 F6a	
4	Spring	S.S	
3	Steel Ball	S.S	
2	Plug	ASTM A216 WCB+Nitriding	
1	Body	ASTM A216 WCB	
NO	PART NAME	MATERIAL	REMARKS
	Design and Manufacture	API 6D	
	Face to Face Dimensions	ANSI B16.10	
	Flange Ends Dimensions	ANSI B16.5	
	Pressure Test	API 598	

we reserve the right to alter the dimensions and information contained in this leaflet as required



DIE ERSTE INDUSTRY CO., LTD.
TAICHUNG, TAIWAN

SHEET 1 OF 1

DRWN BY:
Danny
17/05/22

REVIEW BY:

APPROVAL BY:

UNIT:
mm

DO NOT SCALE DRAWING

TITLE:

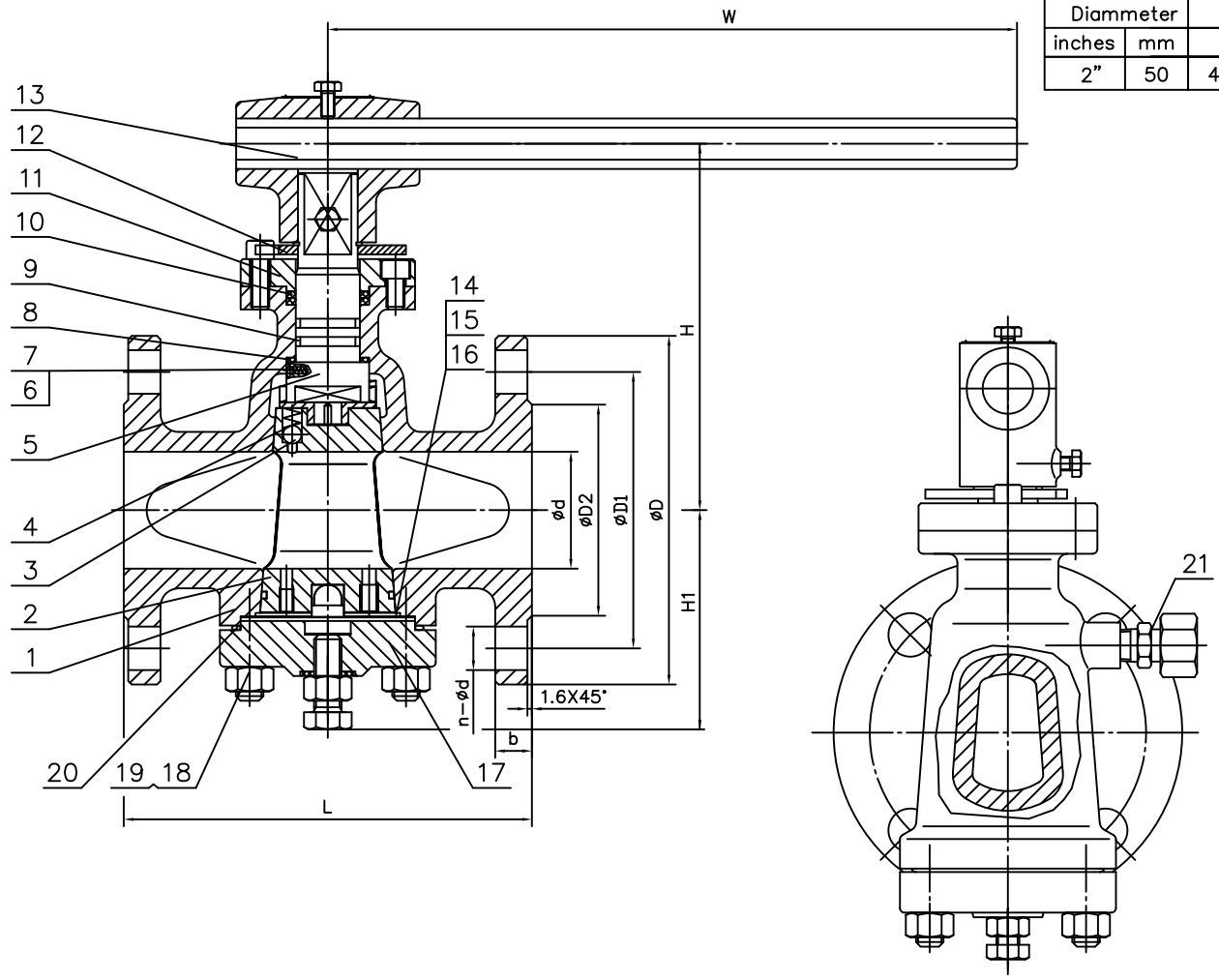
**Lubricate type PLUG VALVE
CLASS 300LB**

REV

1.0

PROPRIETARY AND CONFIDENTIAL

THE INFORMATION CONTAINED IN THIS DRAWING IS THE SOLE PROPERTY OF «DIE ERSTE INDUSTRY CO., LTD.» . ANY REPRODUCTION IN PART OR AS A WHOLE WITHOUT THE WRITTEN PERMISSION OF «DIE ERSTE INDUSTRY CO.,LTD.» IS PROHIBITED.



Nominal Diameter		Main Dimension (mm)									
inches	mm	d	D	D1	D2	L	H	W	b	n-ød	
2"	50	49	165	127	92	216	171	400	23	8-ø19	

21	Injection Fitting	AISI 1025+Zn	
20	O-Ring	VITON	
19	Nut	ASTM A194 2H	
18	Cover bolt	ASTM A193 B7	
17	Cover	ASTM A216 WCB	
16	Steel Plate	Carbon Steel	
15	Metal Diaphragm	Stainless Steel	
14	Gasket	Graphite+SS	
13	Lever	Carbon Steel	
12	Stop Plate	Carbon Steel	
11	Gland Flange	ASTM A105	
10	Stem Packing	Graphite	
9	O-Ring	VITON	
8	Stem Seat	PTFE	
7	Smallball	S.S	
6	Smallspring	S.S	
5	Stem	ASTM A182 F6a	
4	Spring	S.S	
3	Steel Ball	S.S	
2	Plug	ASTM A216 WCB+Nitriding	
1	Body	ASTM A216 WCB	
NO	PART NAME	MATERIAL	REMARKS
	Design and Manufacture	API 6D	
	Face to Face Dimensions	ANSI B16.10	
	Flange Ends Dimensions	ANSI B16.5	
	Pressure Test	API 598	

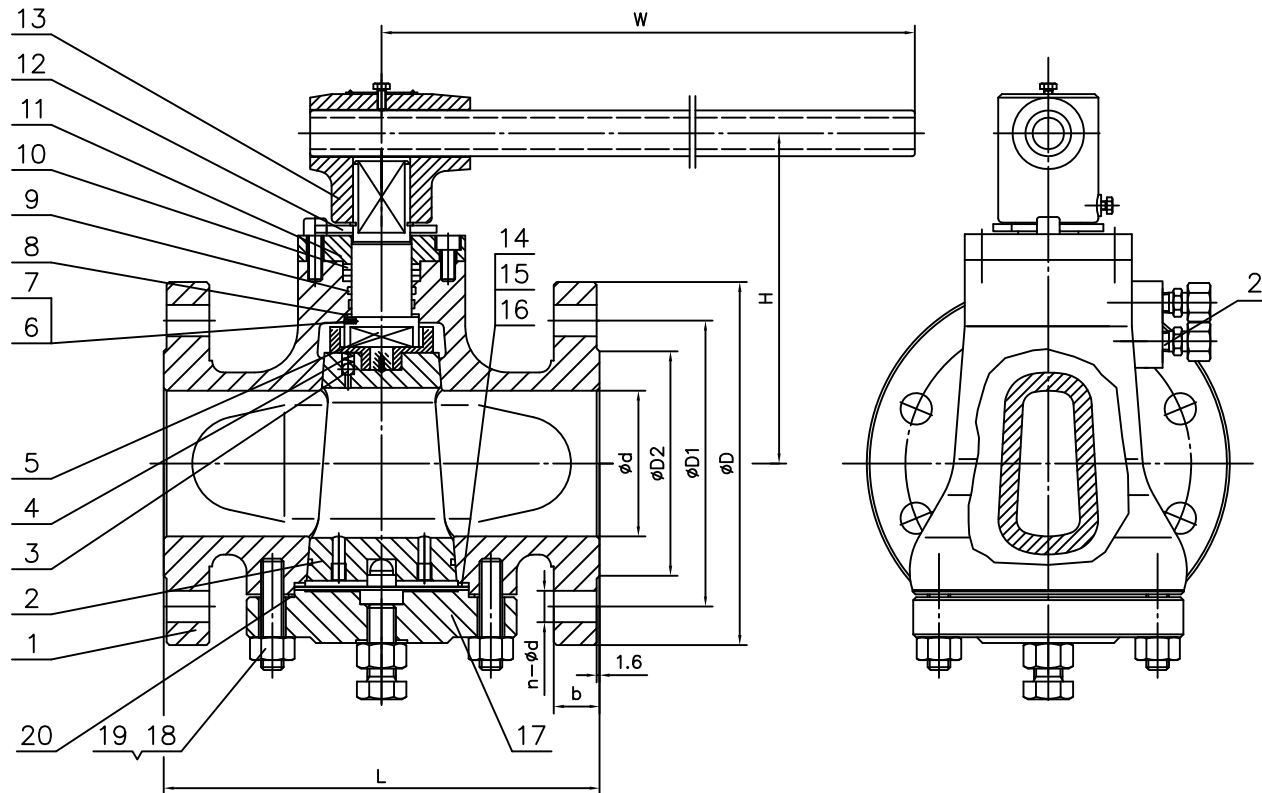
we reserve the right to alter the dimensions and information contained in this leaflet as required

DIE ERSTE INDUSTRY CO., LTD.
TAICHUNG, TAIWAN

SHEET 1 OF 1	DRWN BY: Danny 17/05/22	REVIEW BY:	APPROVAL BY:	UNIT: mm	DO NOT SCALE DRAWING	TITLE: Lubricate type PLUG VALVE CLASS 300LB	REV 1.0
REMARK	KFL			PROJECT:	DWG. NO.		

PROPRIETARY AND CONFIDENTIAL
THE INFORMATION CONTAINED IN THIS DRAWING IS THE SOLE PROPERTY OF «DIE ERSTE INDUSTRY CO., LTD.» . ANY REPRODUCTION IN PART OR AS A WHOLE WITHOUT THE WRITTEN PERMISSION OF «DIE ERSTE INDUSTRY CO.,LTD.» IS PROHIBITED.

Nominal Diameter		Main Dimension (mm)								
inches	mm	d	D	D1	D2	L	H	W	b	n- ϕ d
2 1/2"	65	62	190	149	105	241	196	400	26	8- ϕ 22
3"	80	74	210	168.5	127	283	224	500	29	8- ϕ 22



21	Injection Fitting	AISI 1025+Zn	
20	O-Ring	VITON	
19	Nut	ASTM A194 2H	
18	Cover bolt	ASTM A193 B7	
17	Cover	ASTM A216 WCB	
16	Steel Plate	Carbon Steel	
15	Metal Diaphragm	Stainless Steel	
14	Gasket	Graphite+SS	
13	Lever	Carbon Steel	
12	Stop Plate	Carbon Steel	
11	Gland Flange	ASTM A105	
10	Stem Packing	Graphite	
9	O-Ring	VITON	
8	Stem Seat	PTFE	
7	Smallball	S.S	
6	Smallspring	S.S	
5	Stem	ASTM A182 F6a	
4	Spring	S.S	
3	Steel Ball	S.S	
2	Plug	ASTM A216 WCB+Nitriding	
1	Body	ASTM A216 WCB	
NO	PART NAME	MATERIAL	REMARKS
Design and Manufacture		API 6D	
Face to Face Dimensions		ANSI B16.10	
Flange Ends Dimensions		ANSI B16.5	
Pressure Test		API 598	

we reserve the right to alter the dimensions and information contained in this leaflet as required



DIE ERSTE INDUSTRY CO., LTD,
TAICHUNG, TAIWAN

SHEET 1 OF 1

DRWN BY:
Danny
17/05/22

REVIEW BY:

APPROVAL BY:

UNIT: mm

DO NOT SCALE DRAWING

TITLE:

**Lubricate type PLUG VALVE
CLASS 300LB**

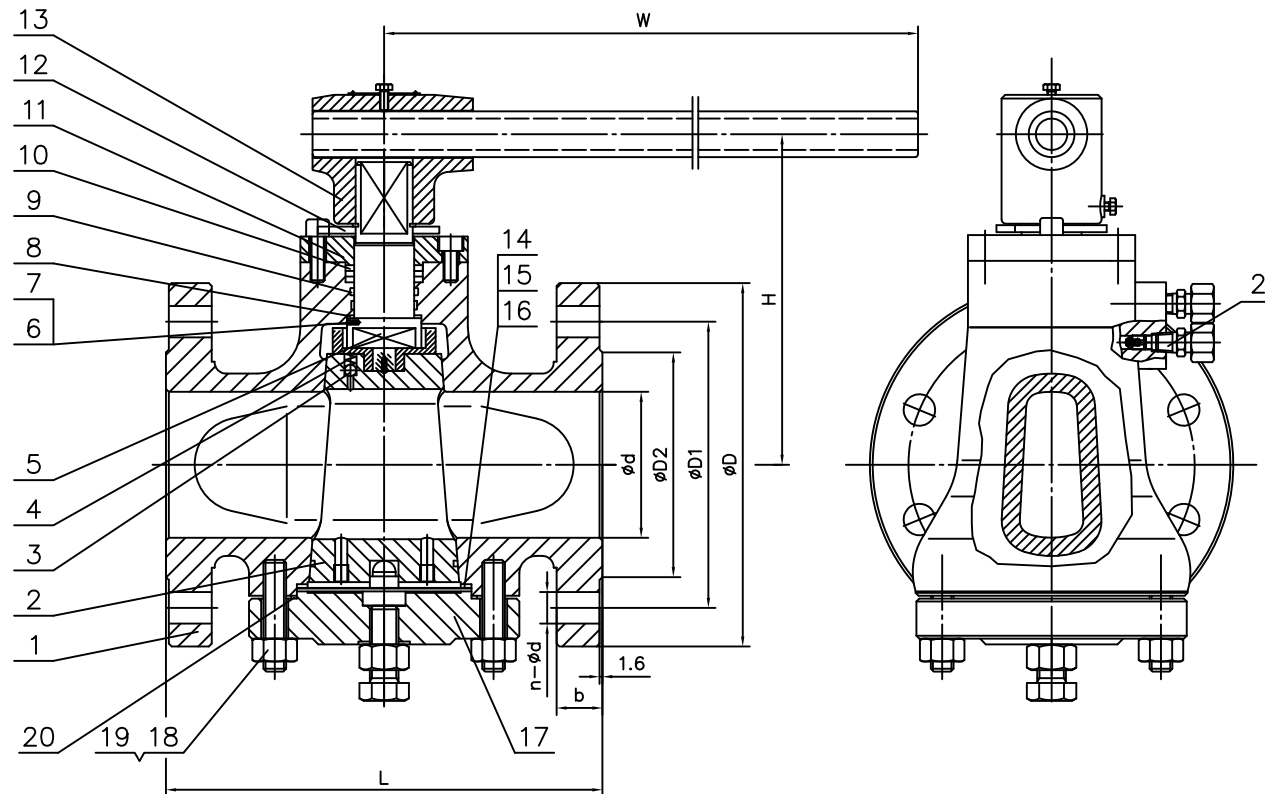
REV

1.0

PROPRIETARY AND CONFIDENTIAL

THE INFORMATION CONTAINED IN THIS DRAWING IS THE SOLE PROPERTY OF «DIE ERSTE INDUSTRY CO., LTD.» . ANY REPRODUCTION IN PART OR AS A WHOLE WITHOUT THE WRITTEN PERMISSION OF «DIE ERSTE INDUSTRY CO.,LTD.» IS PROHIBITED.

Nominal Diameter		Main Dimension (mm)								
inches	mm	d	D	D1	D2	L	H	W	b	n- ϕ d
4"	100	100	254	200	157	305	262	700	32	8- ϕ 22



21	Injection Fitting	AISI 1025+Zn	
20	O-Ring	VITON	
19	Nut	ASTM A194 2H	
18	Cover bolt	ASTM A193 B7	
17	Cover	ASTM A216 WCB	
16	Steel Plate	Carbon Steel	
15	Metal Diaphragm	Stainless Steel	
14	Gasket	Graphite+SS	
13	Lever	Carbon Steel	
12	Stop Plate	Carbon Steel	
11	Gland Flange	ASTM A105	
10	Stem Packing	Graphite	
9	O-Ring	VITON	
8	Stem Seat	PTFE	
7	Smallball	S.S	
6	Smallspring	S.S	
5	Stem	ASTM A182 F6a	
4	Spring	S.S	
3	Steel Ball	S.S	
2	Plug	ASTM A216 WCB+Nitriding	
1	Body	ASTM A216 WCB	
NO	PART NAME	MATERIAL	REMARKS
Design and Manufacture		API 6D	
Face to Face Dimensions		ANSI B16.10	
Flange Ends Dimensions		ANSI B16.5	
Pressure Test		API 598	

we reserve the right to alter the dimensions and information contained in this leaflet as required



DIE ERSTE INDUSTRY CO., LTD.
TAICHUNG, TAIWAN

SHEET 1 OF 1

DRWN BY:
Danny
17/05/22

REVIEW BY:

APPROVAL BY:

UNIT: mm

DO NOT SCALE DRAWING

TITLE:

**Lubricate type PLUG VALVE
CLASS 300LB**

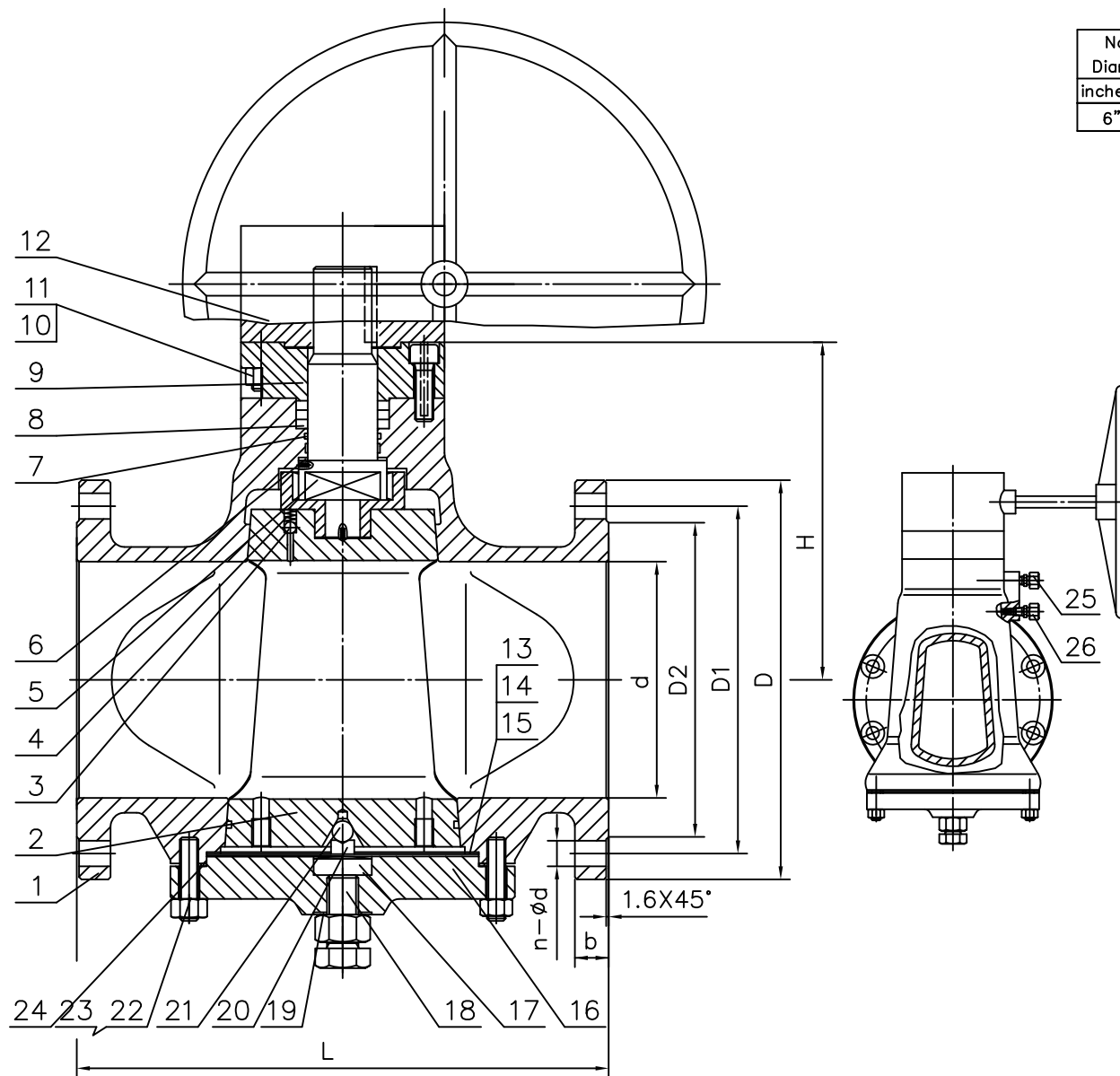
REV

1.0

PROPRIETARY AND CONFIDENTIAL

THE INFORMATION CONTAINED IN THIS DRAWING IS THE SOLE PROPERTY OF «DIE ERSTE INDUSTRY CO., LTD.» . ANY REPRODUCTION IN PART OR AS A WHOLE WITHOUT THE WRITTEN PERMISSION OF «DIE ERSTE INDUSTRY CO.,LTD.» IS PROHIBITED.

Nominal Diameter		Main Dimension (mm)							
inches	mm	d	D	D1	D2	L	H	b	n- ϕ d
6"	150	150	318	270	216	403	265	37	12- ϕ 22



26	Injection Fitting	AISI 1025+Zn	
25	Injection Fitting	AISI 1025+Zn	
24	O-Ring	Viton	
23	Bolt	ASTM A193 B7	
22	Nut	ASTM A194 2H	
21	Ball	ASTM A276 420	
20	Block2	ASTM A276 420	
19	Washer	PTFE/Rubber	
18	Bolt	ASTM A276 420	
17	Block1	ASTM A276 420	
16	Cover	ASTM A216 WCB	
15	Steel Plate	Carbon Steel	
14	Metal Diaphragm	Stainless Steel	
13	Gasket	Graphite+SS	
12	Gear Box	C.S	
11	Nut	ASTM A193 2H	
10	Bolt	ASTM A193 B7	
9	Top Flange	ASTM A105	
8	Packing	Graphite	
7	O-Ring	Viton	
6	Thrust Washer	PTFE	
5	Stem	ASTM A182 F6a	
4	Spring	S.S	
3	Steel Ball	S.S	
2	Plug	ASTM A216 WCB+Nitriding	
1	Body	ASTM A216 WCB	
NO	PART NAME	MATERIAL	REMARKS
	Design and Manufacture	API 6D	
	Face to Face Dimensions	ANSI B16.10	
	Flange Ends Dimensions	ANSI B16.5	
	Pressure Test	API 598	

we reserve the right to alter the dimensions and information contained in this leaflet as required



DIE ERSTE INDUSTRY CO., LTD,
TAICHUNG, TAIWAN

SHEET 1 OF 1

DRWN BY:
Danny
17/05/22

REVIEW BY:

APPROVAL BY:

UNIT: mm

DO NOT SCALE DRAWING

TITLE:

**Lubricate type PLUG VALVE
CLASS 300LB**

REV

1.0

PROPRIETARY AND CONFIDENTIAL

THE INFORMATION CONTAINED IN THIS DRAWING IS THE SOLE PROPERTY OF «DIE ERSTE INDUSTRY CO., LTD.» . ANY REPRODUCTION IN PART OR AS A WHOLE WITHOUT THE WRITTEN PERMISSION OF «DIE ERSTE INDUSTRY CO.,LTD.» IS PROHIBITED.