

MODEL NO:CHD-GLOBE

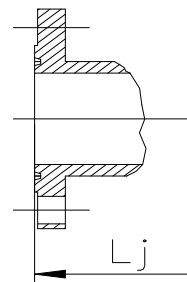
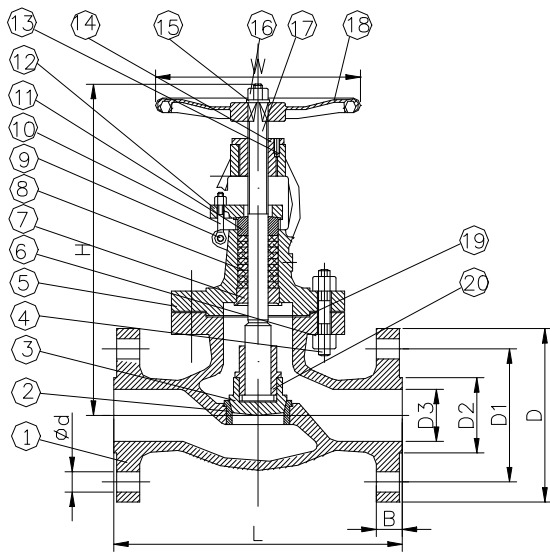
GLOBE VALVE CLASS 150/300/600

DESIGN DESCRIPTION:

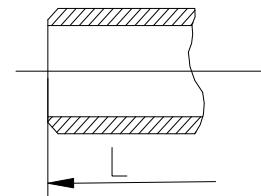
- * OUTSIDE SCREW AND YOKE
- * BOLTED BONNET
- * RISING STEEM AND HANDWHEEL (IMPACT-HAMMER HANDWHEEL FOR 10° & OVER)
- * YOKE INTEGRAL WITH BONNET
- * LOOSE DISC
- * RENEWABLE SEAT RINGS
- * FLANGED ENDS
- * BUTTWELDING ENDS

APPLICABLE STANDARDS:

- *MANUFACTURE, API 6D OR API 600
- *STEEL VALVE, ANSI B16.34
- *FACE TO FACE, ANSI B16.10
- *END FLANGE, ANSI B16.5
- *BUTTWELDING ENDS, ANSI B16.25
- *INSPECTION AND TEST, API 6D OR API 598



RING TYPE JOINT END



BUTT WELDING END



PARTS AND MATERIAL (ASTM)

NO.	PARTS NAME	MATERIALS		
		WCB	WC6	LCB
1	BODY	A216-WCB	A217-WC6	A352-LCB
2	SEAT	A105+H/F STL#6	A182-F11+H/F STL#6	A350-LF2+H/F STL #6
3	DISC	A216-WCB+H/F 410	A217-WC6+H/F 410	A352-LCB+H/F 410
4	BONNET BOLT	A193-B7	A193-B7	A193-B7M
5	BONNET	A216-WCB	A217-WC6	A325-LCB
6	BONNET BOLT NUT	A194-2H	A194-2H	A194-2HM
7	BONNET BUSH	A276-410		
8	GLAND PACKING	GRAPHITE		
9	EYE BOLT PIN	A276-410		
10	EYE BOLT	A307 B		
11	GLAND	A276-410		
12	GLAND FLANGE	A216-WCB		
13	STEM BOLT	A193-B7		
14	RETAINER NUT	A36		
15	PLATE	ALUMINA		
16	WHEEL NUT	A36		
17	STEM	A182-F6A		
18	HAND WHEEL	A47/A536		
19	GASKET	GRAFOIL+316 SHEET		
20	DISC NUT	A276+410		

OTHER MATERIALS ARE AVAILABLE UPON REQUEST.

**TEST
TO API 598**

CLASS	SHELL TEST(WATER)		SEAT TEST(WATER)		SEAT TEST(AIR)	
	150	3.1MPA	450PSIG	2.2MPA	315PSIG	0.6MPA
300	7.8MPA	1125PSIG	5.6MPA	815PSIG	0.6MPA	80PSIG
600	15.3MPA	2225PSIG	11.2MPA	1630PSIG	0.6MPA	80PSIG

PRESSURE

DIMENSIONS AND WEIGHT TABLE:

CLASS 150 GLOBE VALVE FLANGE END AND WLEDING END

UNIT: INCH

DN	NPS	d	L	LJ	D	D1	D2	b	Z*Φd	W	H(OPEN)	Wt(kg)
50	1/2	1/2	4-1/4	-	3-1/2	2-3/8	1-3/8	-	4*5/8	4	7-1/8	3.5
65	3/4	3/4	4-5/8	-	3-7/8	2-3/4	1-11/16	-	4*5/8	4	7-1/2	3.9
80	1	1	5	-	4-1/4	3-1/8	2	7/16	4*5/8	4-3/4	8-1/2	5.8
100	1-1/2	1-1/2	6-1/2	-	5	3-7/8	2-7/8	9/16	4*5/8	5-1/4	10	10.8
150	2	2	8	-	6	4-3/4	3-5/8	5/8	4*3/4	7-7/8	13	20
200	2-1/2	2-1/2	8-1/2	-	7	5-1/2	4-1/8	11/16	4*3/4	9-7/8	14-1/8	32
250	3	3	9-1/2	-	7-1/2	6	5	3/4	4*3/4	11	15-3/8	42
300	4	4	11-1/2	-	9	7-1/2	6-3/16	15/16	8*3/4	11-3/4	17-1/2	64
350	6	6	16	-	11	9-1/2	8-1/2	1	8*7/8	13-3/4	20-1/2	114
400	8	8	19-1/2	-	13-1/2	11-3/4	10-5/8	1-1/8	8*7/8	15-3/4	24	186

CLASS 300 GLOBE VALVE FLANGE END AND WLEDING END

50	1/2	1/2	6	6-7/16	3-3/4	2-5/8	1-3/8	9/16	4*5/8	4	6-3/8	3.7
65	3/4	3/4	7	7-1/2	4-5/8	3-1/4	1-11/16	5/8	4*3/4	4-3/4	6-5/8	5.3
80	1	1	8	8-1/2	4-7/8	3-1/2	2	11/16	4*3/4	5	7-5/8	7.3
100	1-1/2	1-1/2	9	9-1/2	6-1/8	4-1/2	2-7/8	13/16	4*7/8	6-5/8	9-1/4	15.4
150	2	2	10-1/2	11-1/8	6-1/2	5	3-5/8	7/8	8*3/4	7-7/8	15-1/4	26
200	2-1/2	2-1/2	11-1/2	12-1/8	7-1/2	5-7/8	4-1/8	1	8*7/8	7-7/8	16-1/2	40
250	3	3	12-1/2	13-1/8	8-1/4	6-5/8	5	1-1/8	8*7/8	11	17-1/4	50
300	4	4	14	14-5/8	10	7-7/8	6-3/16	1-1/4	8*7/8	13-3/4	20-1/4	90
350	6	6	17-1/2	18-1/8	12-1/2	10-5/8	8-1/2	1-7/16	12*7/8	15-3/4	26	160
400	8	8	22	22-5/8	15	13	10-5/8	1-5/8	12*1	17-3/4	35-1/2	290

CLASS 600 GLOBE VALVE FLANGE END AND WLEDING END

50	1/2	1/2	6-1/2	6-7/16	3-3/4	2-5/8	1-3/8	9/16	4*5/8	4	6-3/8	4.5
65	3/4	3/4	7-1/2	7-1/2	4-5/8	3-1/4	1-11/16	5/8	4*3/4	5-1/2	6-5/8	7.3
80	1	1	8-1/2	8-1/2	4-7/8	3-1/2	2	11/16	4*3/4	6-1/4	7-5/8	9.6
100	1-1/2	1-1/2	9-1/2	9-1/2	6-1/8	4-1/2	2-7/8	7/8	4*7/8	7-1/2	9-1/4	19
150	2	2	11-1/2	11-5/8	6-1/2	5	3-5/8	1	8*3/4	10	14-1/4	35
200	2-1/2	2-1/2	13	13-1/8	7-1/2	5-7/8	4-1/8	1-1/8	8*7/8	10-1/2	15-1/2	50
250	3	3	14	14-1/8	8-1/4	6-5/8	5	1-1/4	8*7/8	12	18-1/4	60
300	4	4	17	17-1/8	10-3/4	8-1/2	6-3/16	1-1/2	8*1	15-3/4	21-1/2	110
350	6	6	22	22-1/8	14	11-1/2	8-1/2	1-7/8	12*1-1/8	19-1/2	34-3/4	230