

MODEL NO: VF-736

Double Plate Check Valve

Feature:

- * Lighter and more reliable than conventional swing valve.
- * Easy to be maintained and install between flange .
- * Normally close by spring action and open by fluid pressure.
- * Very quick reaction of spring cycle, It could protect piping form water hammer.
- * Hydrostatic test pressure:
 Body: 300 psi (20 Bar)
 Seat: 200 psi (14 bar)

Specification:

Size: 1-1/2"~ 48"

DN40 ~ DN1200

Materials: Cast Iron/ Ductile Iron

Body Rating: 200 WOG (14 Bar)

Temperature: 14°F ~ 176°F

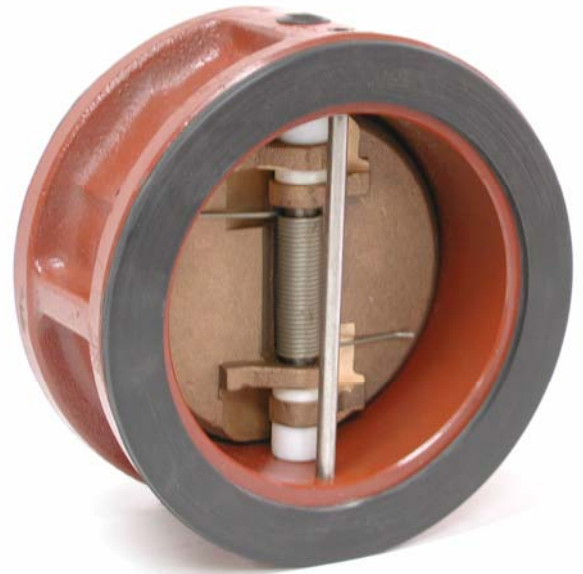
-10°C ~ 80°C

Connection: BS10 Table "E"; ANSI Class 150

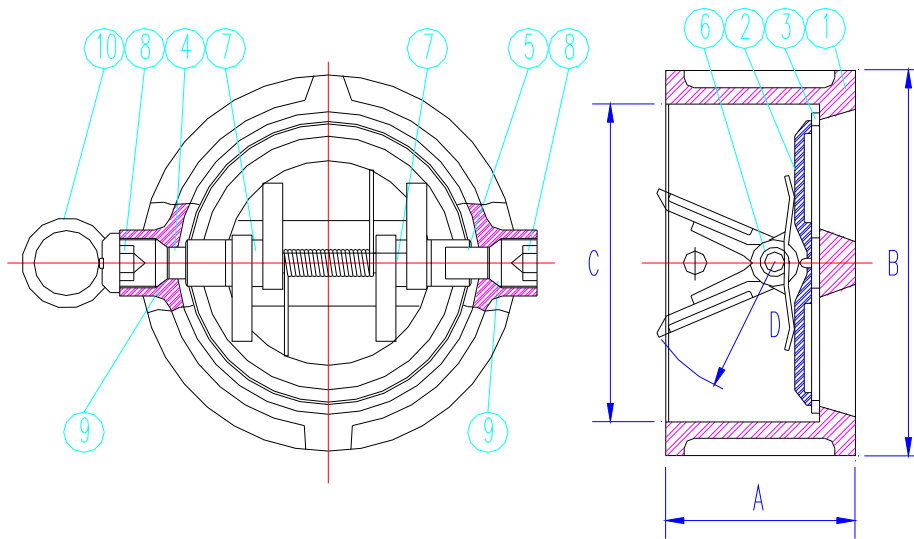
ISO-PN10; JIS 10K

Cv Valve And Spring Action:

SIZE(mm)	Cv	mmAq	SIZE(mm)	Cv	mmAq
50	55	300	350	5350	130
65	85	300	400	8250	100
80	145	250	450	10550	70
100	290	200	500	14500	70
125	460	150	600	24000	60
150	800	150	800	48000	50
200	1550	140	900	63000	40
250	2800	140	1050	91000	35
300	4100	130	1200	125000	30



1. The pressure-drop corresponding to the spring action, is referred to the normal torque type.
2. Cv=The number of U.S. gallons/minute that will result in 1 psi pressure lose across the valve at temperature of 25°C.
3. Cv=1.17Kv
 Where the Kv value denotes the rate in m3/Hr for water at 25°C flowing under pressure differential 1Kg/c m²



DIMENSIONS LIST:

Size (MM)	A	B	C	D	WEIGHT (KG)	Size (MM)	A	B	C	D	WEIGHT (KG)
40	43	95	72	R25	1.5	450	152	530	460	R225	118
50	43	98	66	R29	1.6	500	152	580	510	R250	180
65	46	110	80	R36	1.9	550	219	660	559	R264	228
80	64	128	100	R44	2.7	600	222	718	610	R292	549
100	64	156	112	R53	4.2	650	279	772	660	R312	579
125	70	187	135	R65	6.8	700	321	832	711	R337	580
150	76	213	160	R77	10.7	750	330	883	762	R365	700
200	89	267	210	R102	17.2	800	356	940	813	R397	800
250	114	328	260	R127	28.7	900	387	1048	914	R440	1000
300	114	375	310	R152	33	1000	419	1162	1016	R495	1065
350	127	415	360	R170	71	1050	432	1219	1067	R527	1260
400	140	482	410	R220	99	1200	524	1384	1219	R603	2055

Materials List:

No.	NAME	MATERIAL	SPECIFICATION		REMARK
			JIS	ASTM	
1	BODY	CAST IRON	FC200	A216 Class B	
		DUCTILE IRON	FCD450	A536-65-45-12	
2	PLATE	BRONZE	BC6	B62	
		STAINLESS STEEL	SCS 13	A351 CF8	
			SCS 14	A351 CF8M	
3	SEAT	NBR (NITRILR)			-10°C ~ 80°C (14°F ~ 176°F)
		EPDM			-20°C ~ 120°C (-4°F ~ 248°F)
4	HINGE PIN	STAINLESS STEEL	SUS 304	A182 F304	
5	STOP PIN	STAINLESS STEEL	SUS 304	A182 F304	
6	SPRING	STAINLESS STEEL	SUS 304	A182 F304	
7	BUSHING	TEFLON			
8	SET BOLT	STEEL	SCM3		
9	PACKING	NBR (NITRILR)			-10°C ~ 80°C (14°F ~ 176°F)
10	EYE BOLT	FORGING STEEL	SF40A		FOR 5" AND LARGE

We hereby reserve the rights of any alternative dimension that would help to improve our valve's quality and working efficiency