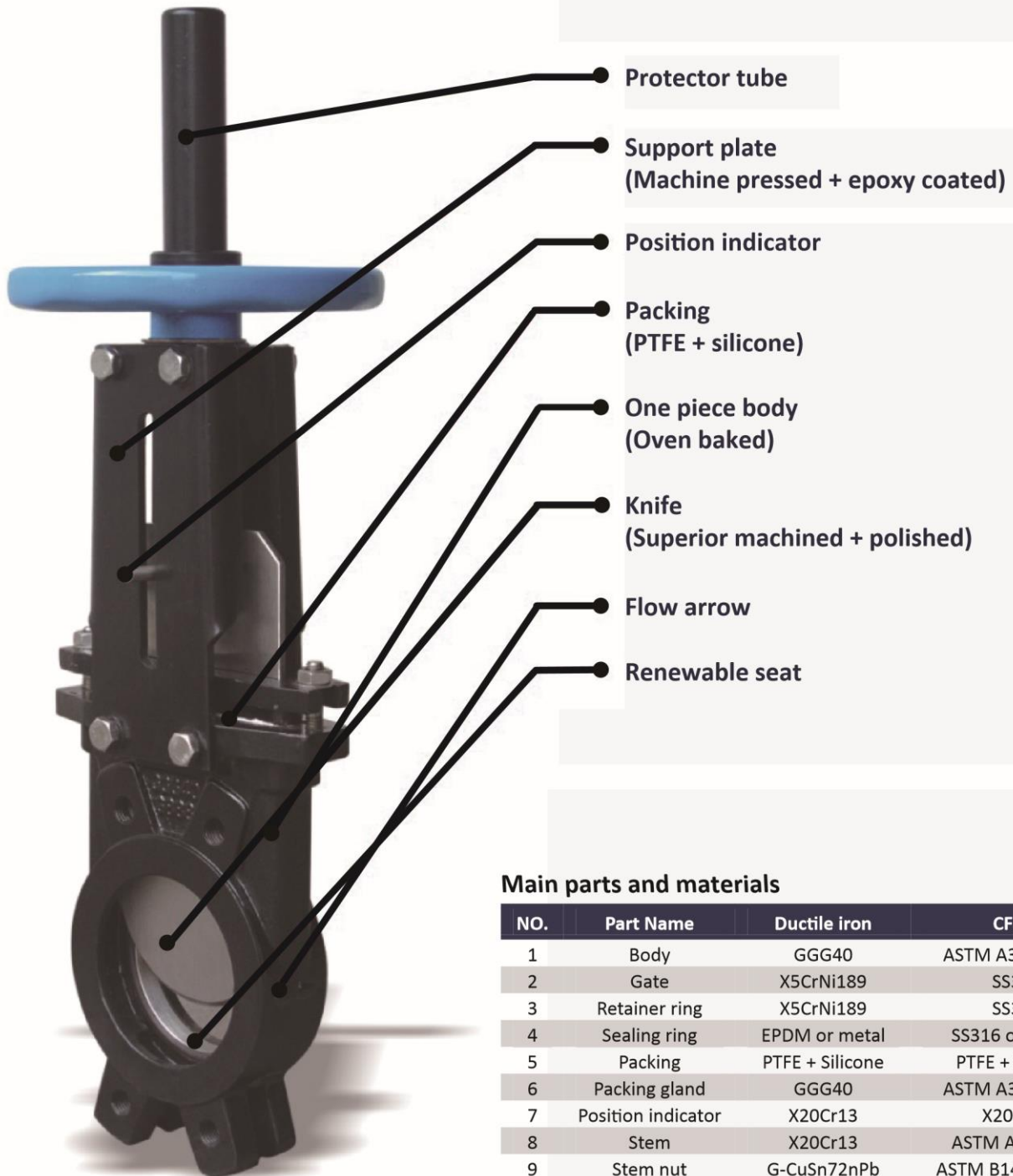


Knife Gate Valves



Wafer Kinfe Gate Valve



Main parts and materials

NO.	Part Name	Ductile iron	CF8M
1	Body	GGG40	ASTM A351 CF8M
2	Gate	X5CrNi189	SS316
3	Retainer ring	X5CrNi189	SS316
4	Sealing ring	EPDM or metal	SS316 or Vinton
5	Packing	PTFE + Silicone	PTFE + Silicone
6	Packing gland	GGG40	ASTM A351 CF8M
7	Position indicator	X20Cr13	X20Cr13
8	Stem	X20Cr13	ASTM A276 316
9	Stem nut	G-CuSn72nPb	ASTM B148 C95200
10	Support plate	St33	SS304

Wafer Kinfe Gate Valve

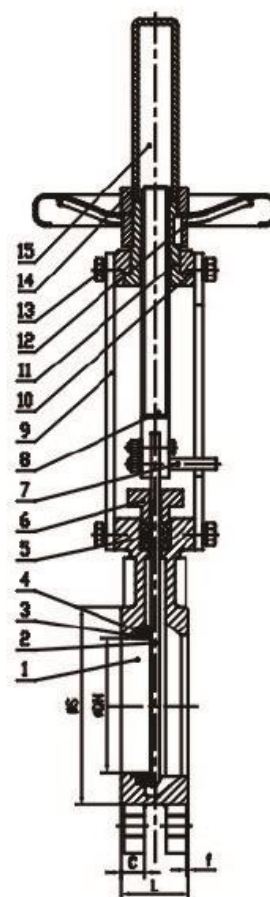
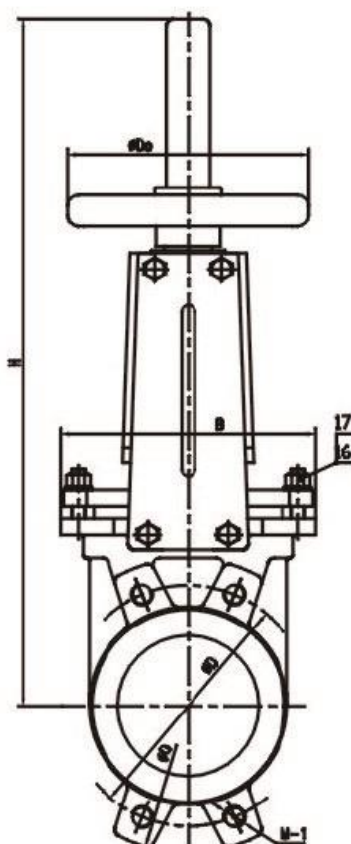
Products Range:

Pressure rate: PN10

Size: DN50 – DN400

Body material: Ductile iron, stainless steel, duplex stainless steel

Operated type: Handwhell op.



Main dimensions

DN	L	O	D	S	C	f	M-1	B	H	Do	Weight (KGS)
50	40	165	125	95	16	2	4-M16	136	375	180	7
65	40	185	145	110	16	2	4-M16	151	420	180	8
80	50	200	160	127	17	2	8-M16	170	450	200	11
100	50	220	180	148	17	2	8-M16	190	512	200	12
125	50	250	210	174	17	2	8-M16	212	570	220	15
150	60	285	240	199	21	2	8-M20	230	665	250	21
200	60	340	295	250	21	2	8-M20	286	825	300	29
250	70	395	350	308	24	2	12-M20	338	1000	350	46
300	70	445	400	360	24	2	12-M20	388	1155	350	66
350	96	505	460	416	33	2	16-M20	460	1310	400	92

Optional spare parts



Optional operated type

- Handwheel

Body material

- Ductile iron
- Stainless steel
- Duplex stainless steel

Gate material

- SS304

Seat material

- Metal
- EPDM
- Nitril
- Viton
- Silicone

- SS316



Optional pressure rate

- Handwheel non rising stem
- Double acting pneumatic actuator
- Single acting pneumatic actuator
 - Gear box actuator
 - Electric actuator
 - 10 bar
 - 150 lbs



Taiwan
5F-1, No.936,
Sec. 4, Wen-Sin Road
Taichung City, 406, Taiwan
T +886(4)2231 0059
F +886(4)2236 0236

Shanghai
No.8, Lane 1
Xin-Xiao Road
Shanghai, 201612, China
T +86(21)5777 3810
F +86(21)5777 3919

DIE ERSTE INDUSTRY CO., LTD.
www.die-erste.com | sales@die-erste.com

