

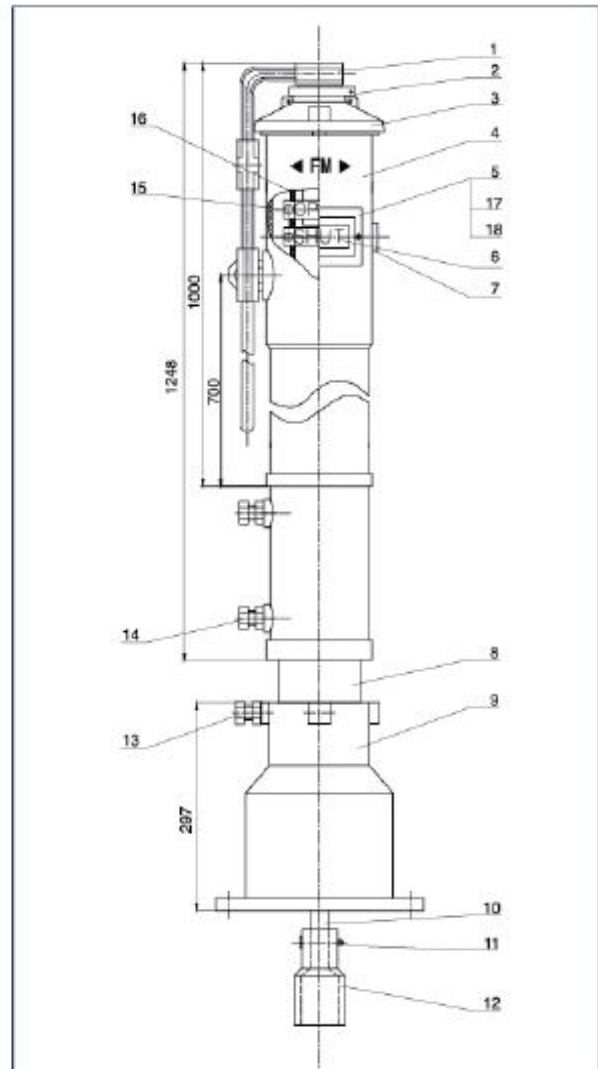
Vertical Type Indicator Post

Model No.:ZSQ



Technical Specifications:

1. Unload the upper cover of control lead
2. Measure control lead depth, remove the excess part of connector lead and driving rod
3. Fit the control rod with full closed valve, turn the position plate to SHUT position
4. Load upper cover



NO.	Name	Material	REMARK
1	Handle	DI	ASTM A536
2	Driving Rod	S.S.304	ASTM A276
3	Indicator Cover	CI	ASTM A126
4	Housing	CI	ASTM A126
5	Keyhole Plate	A283 Gr.C	ASTM A36
6	Indicator Plate	A413.0	ASTM S12A
7	Screwed Plug	1035	ASTM A449
8	Extension Rod	A283 Gr.C	ASTM A36
9	Flange	CI	ASTM A126
10	Connecting Rod	1045	ASTM A29
11	Cotter Pin	1035	ASTM A449
12	Joint	CI	ASTM A126
13	Bolt	1035	ASTM A449
14	Bolt	1035	ASTM A449
15	Bolt	1035	ASTM A449
16	Driving Nut	S.S.304	ASTM A276
17	Keyhole Plate Gasket	EPDM	ASTM D2000
18	Indicator Flap	Organic glass	