

Omega™ HP for Slurry Lined EPDM

Omega HP Air Vent is based on the design of the traditional, Omega Model but with *specific modifications for Slurry*.

The Omega™ HP Lined EPDM air vent is designed for most severe conditions including slurry and sea water. Common uses for Omega™ HP are desalination process, chemical waste, sand pulp, dewatering sewage, mining slurry, general pulp and treatment plants.

Design: ASME B16.34 ASME B16.5 ASME B31.3

Feature

- A) **Suitable for extreme conditions:** mining slurry, sea waterlines, and sewage
- B) All wet parts are lined EPDM for high abrasive media
- C) **Appropriate for** fluids with high concentration of solids particles
- D) **Smooth cage outside of the float**, keep floating ball moving in specified guide rail
- (E) **Superior venting** and suction capacity compared with common two holes air vent
- (F) **Reduces** pressure drop
- (G) **Body material made** in Cast Steel A216 WCB + Epoxy Paint
- (H) **Floating ball** and other metal parts made in Stainless Steel SS316L CF3M
- (I) **Maintenance** can be easily performed from the top without removing the air valve from the pipe
- (J) **Coating suitable** for highly aggressive environments (Epoxy)
- (K) **Rating** Class 600 available upon request

Technical Data

1. Size range NPS 2"~8"
2. Pressure ratings 150LB / 300LB / 600LB
3. Working temperature -29ℳ ~ +120 ℳ
4. Suitable Medium: fluids with high concentration of solid particles like mining Slurry or Sewage
5. Body Material ASTM A216 WCB + Epoxy
6. Lined: EPDM / Ebonite
7. Trim Material: A276 SS316L CF3M
8. Seat EPDM

Performance Standard

1. Design & Manufacture standard as to ASME B31.3 ASME B16.34
1. Height dimension (H) standard as to MFR-STD
3. Flange dimension conforms as to ASME B16.5 / BS EN 1092
4. Testing And Inspection as to API 598
5. Pressure-temperature conforms as to ASME B16.34
6. Anti Corrosion as per NACE MR-0175(2002) requirement

Class 300



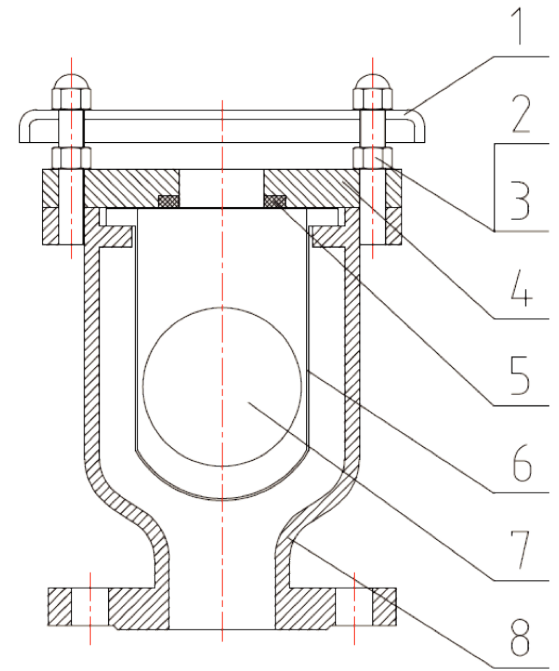
Class 600



Part List:

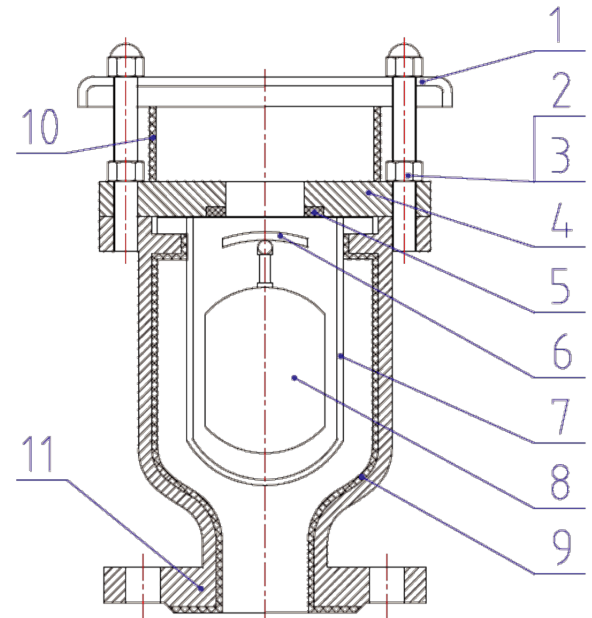
Omega™ HP Air Vent Lined EPDM
Rating Class 150 and 300

No.	Part Name	Material	Standard
1.	Cap	F304	ASTM A182
2.	Bolt	B7 (Galvanized)	ASTM A193
3.	Nut	2H (Galvanized)	ASTM A194
4.	Cover	C.S.	ASTM A105
5.	Seat	EPDM	BNS-D00040
6.	Protective Bushing	SS316L	ASTM A276
7.	Floating Ball	SS316L	ASTM A276
8.	Body Lined	Rubber	EPDM / Ebonite
9.	Body	C.S.	ASTM A216 WCB



Omega™ HP Air Vent Lined EPDM
Rating Class 600

No.	Part Name	Material	Standard
1.	Cap	F304	ASTM A182
2.	Bolt	B7 (Galvanized)	ASTM A193
3.	Nut	2H (Galvanized)	ASTM A194
4.	Cover	C.S.	ASTM A105
5.	Seat	EPDM	BNS-D00040
6.	Disc	SS316L	ASTM A276
7.	Protective Bushing	SS316L	ASTM A276
8.	Floating Ball	SS316L	ASTM A276
9.	Body Lined	Rubber	EPDM / Ebonite
10.	Screen	SS304	ASTM A276
11.	Body	C.S.	ASTM A216 WCB



Main dimension

Class 150LB RF

Flange dimension standard conforms as to: ASME B16.5

NPS	H	D	D1	D2	S	N-Φ	f	Weight
2"	260	150	120.7	92	17.5	4-Φ19	2	12 Kg
2 1/2"	270	180	139.7	105	21	4-Φ19	2	17 Kg
3"	270	190	152.4	127	22.5	4-Φ19	2	18 Kg
4"	300	230	190.5	157	22.5	8-Φ19	2	24 Kg
6"	370	280	241.3	216	24	8-Φ22	2	36 Kg
8"	420	345	298.5	270	27	8-Φ22	2	55 Kg

Class 300LB RF

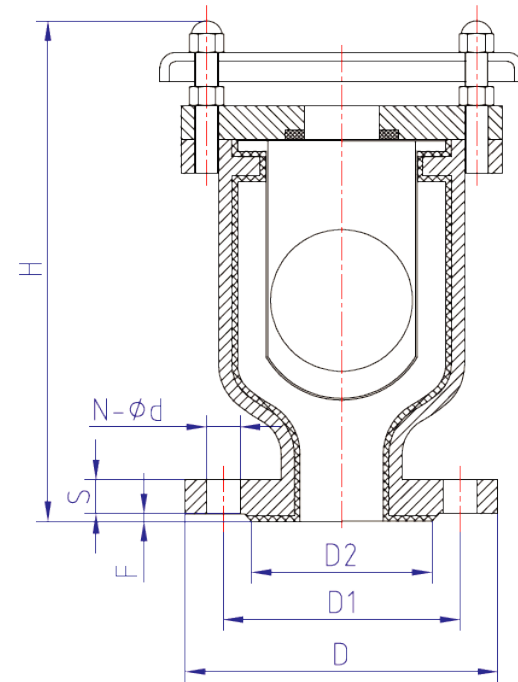
Flange dimension standard conforms as to: ASME B16.5

NPS	H	D	D1	D2	S	N-Φ	f	Weight
2"	260	165	127	92	21	8-Φ19	2	16 Kg
2 1/2"	270	190	149.2	105	24	8-Φ22	2	20.5 Kg
3"	270	210	168.3	127	27	8-Φ22	2	22 Kg
4"	300	255	200	157	30.5	8-Φ22	2	32 Kg
6"	370	320	269.9	216	35	12-Φ22	2	55 Kg
8"	420	380	330.2	270	40	12-Φ25.5	2	65 Kg

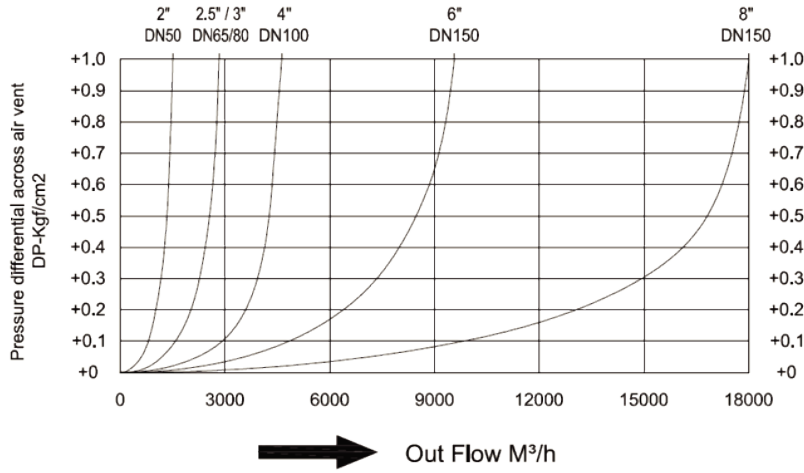
Class 600 LB RF

Flange dimension standard conforms as to: ASME B16.5

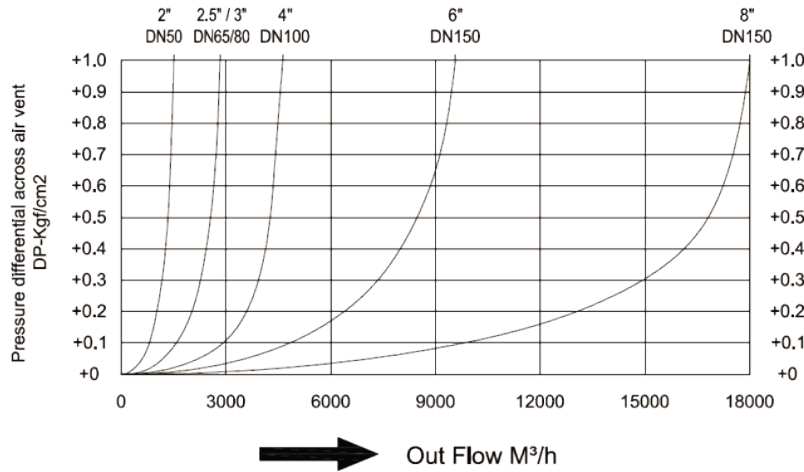
NPS	H	Φ	D	D1	D2	S	N-Φ	f	Weight
2"	360	260	165	127	92	25.5	8-Φ19	7	42 Kg
2 1/2"	380	260	190	149.2	105	29	8-Φ22	7	45 Kg
3"	450	310	210	168.3	127	32	8-Φ22	7	71 Kg
4"	470	310	275	215.9	157.5	38.5	8-Φ25.5	7	83 Kg
6"	560	400	355	292.1	216	48	12-Φ29	7	140 Kg
8"	590	400	420	349.2	270	56	12-Φ32	7	162 Kg



Omega TM HP Air Vent discharge capacity by size



Omega TM HP Air Vent vacuum charge capacity by size



ORDERING CODE:

Example: OMHP-113-600RF-300

Omega HP, A216 Body + Epoxy, SS304 Lined EPDM, SS316L Floating Ball, EPDM seat, Class 150, Flanged End Ansi 600RF Size 3"

Available Body Material Code:

A216 WCB + Epoxy: 1
A105 Carbon Steel + Epoxy: 2
SS304 CF8: 3
SS316 CF8M: 4

Available Lined Interior:

SS304 CF8 Lined EPDM: 1
SS316 CF8M Lined EPDM: 2
SS316L CF3M Lined EPDM: 3

Available Floating Ball Material:

SS304 CF8 Stainless Steel: 1
SS316 CF8M Stainless Steel: 2
SS316L CF3M Stainless Steel: 3

Available Size Code:

2": 200
2 ½": 250
3": 300
4": 400
5": 500
6": 600
8": 800