

Y Strainer Eco Series

Y-Strainer Eco Series is the best choice you can choose regarding quality and price. It is robust, compact and very easy to maintain. Eco Series has cylindrical shape, strong enough to handle hot water, steam, air and gases. Gases, being readily compressible, will flow through Y-strainers of the same size as a pipeline easily, with little pressure loss. They are designed with adequate safety margins. This means sufficiently heavy wall thickness and blow off connections. As an example, in improperly trapped steam lines, condensate can collect in low points and become a slug of water traveling at very high velocity down the line. Even the slight change in direction caused by a Y-strainer can produce a tremendous shock which can break the strainer wall. The straining element of our industrial Y-Strainers perfectly seals to the body by means of a carefully machined seat so no particle can bypass it. The same thing applies to the clean-out end. The screen fits tightly.

Features:

- A) **One piece** cast body made in Cast Steel plus epoxy paint
- B) **Provide** a wide selection of mesh sizes.
- C) **High Quality** stainless steel screen; made out of high resistance wire, rugged and braided type
- D) **Thick enough** to avoid deformation.
- E) **Drain** port or drain ball valve with NPT end; for in line emptying of condensate or water.
- F) **Bolting cover** to ease maintenance operations.
- G) **Low pressure** drop streamlined design.
- H) **Large** strainer screens.
- I) **Compact end** to end dimension.



Technical Specification

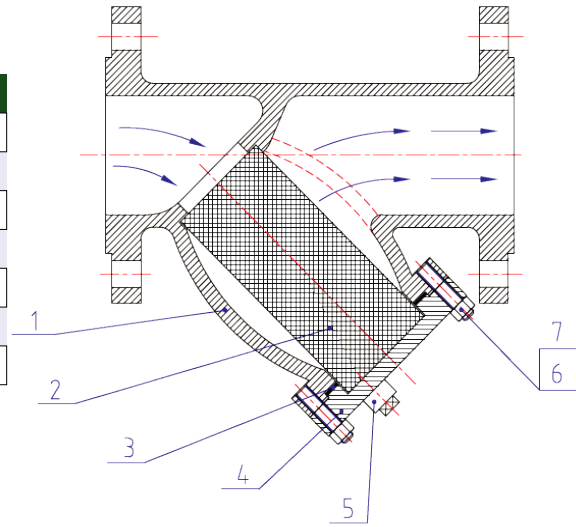
1. Design & Manufacture standard as to: ASME B31.3
ASME B16.34
2. Face to Face dimension standard as to: MFR-STD
3. Flange dimension conforms as to: ASME B16.5 RF
4. Testing And Inspection as to: API 598
5. Pressure-temperature conforms as to: ASME B16.34
6. Anti Corrosion as per NACE MR-0175 requirement

Technical Data

1. Size range: NPS 1"~16"
2. Pressure ratings: 150LB / 300LB
3. Working temperature: -29°C ~ +425°C
4. Suitable Medium: Process Industry
Power Industry, Chemical Industry,
Oil and Gas, pulp and paper, metals and Mining, water and waste
5. Body Material: A216 WCB
7. Screen Material: A276 SS316L
8. Mesh: As per purchaser

Y Strainer Eco Series

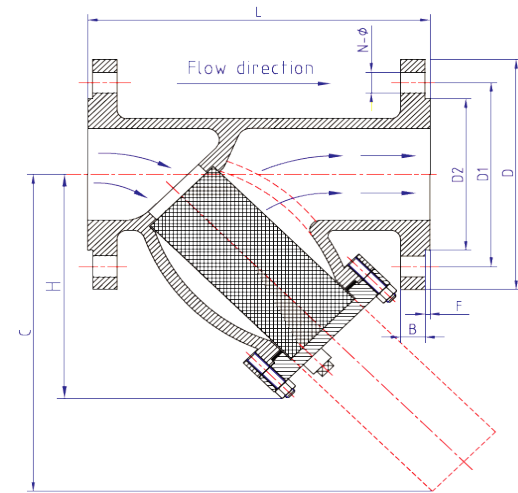
No.	Name	Material	Standard
1.	Body	WCB	ASTM A216
2.	Screen	SS316L	ASTM A276
3.	Gasket	SS316L+Graphite	A194 8
4.	Cover	WCB	ASTM A216
5.	Drain Plug	A105	ASTM A105
6.	Bolt	B7	ASTM A193
7.	Nut	2H	ASTM A194



Main Dimensions:

Y Strainer Eco Series 150LB

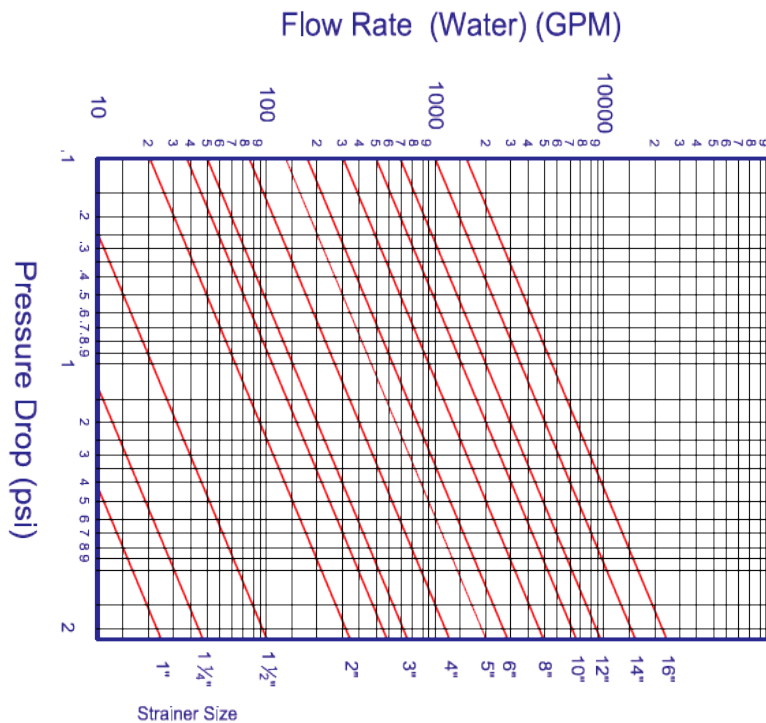
NPS	L	D	D1	D2	B	N-Φ	F	H	C	Weight (Kg)
1"	150	Φ110	Φ79.4	Φ51	13	4-Φ16	2	105	145	3.5
1 1/4"	200	Φ115	Φ88.9	Φ64	14.5	4-Φ16	2	131	180	5.3
1 1/2"	200	Φ125	Φ98.4	Φ73	16	4-Φ16	2	151	193	6.5
2"	230	Φ150	Φ120.7	Φ92	17.5	4-Φ19	2	165	207	8
2 1/2"	250	Φ180	Φ139.7	Φ105	21	4-Φ19	2	182	230	10
3"	280	Φ190	Φ152.4	Φ127	22.5	4-Φ19	2	201	256	13
4"	300	Φ230	Φ190.5	Φ157	22.5	8-Φ19	2	238	303	19
5"	350	Φ255	Φ215.9	Φ186	22.5	8-Φ22	2	275	347	22
6"	380	Φ280	Φ241.3	Φ216	24	8-Φ22	2	326	420	45
8"	490	Φ345	Φ298.5	Φ270	27	8-Φ22	2	395	510	85
10"	550	Φ405	Φ362.0	Φ324	29	12-Φ25.5	2	385	560	110
12"	615	Φ485	Φ431.8	Φ381	31	12-Φ25.5	2	427	630	160
14"	700	Φ535	Φ476.3	Φ413	33.5	12-Φ29	2	526	725	275
16"	800	Φ595	Φ539.8	Φ470	35	16-Φ29	2	574	840	395



Y Strainer Eco Series 300LB

NPS	L	D	D1	D2	B	N-Φ	F	H	C	Weight (Kg)
1"	165	Φ125	Φ88.9	Φ51	16	4-Φ19	2	115	173	3.5
1 1/4"	182	Φ135	Φ98.4	Φ64	17.5	4-Φ19	2	128	191	5.5
1 1/2"	205	Φ155	Φ114.3	Φ73	19.5	4-Φ22	2	145	215	7
2"	208	Φ165	Φ127	Φ92	21	8-Φ19	2	145	218	11
2 1/2"	242	Φ190	Φ149.2	Φ105	24	8-Φ22	2	169	254	16
3"	270	Φ210	Φ168.3	Φ127	27	8-Φ22	2	189	283	20
4"	320	Φ255	Φ200	Φ178	30.5	8-Φ22	2	224	336	30
5"	365	Φ280	Φ235	Φ186	33.5	8-Φ22	2	255	383	40
6"	415	Φ320	Φ269.9	Φ216	35	12-Φ22	2	290	435	47
8"	503	Φ380	Φ330.2	Φ270	40	12-Φ25.5	2	352	528	96
10"	550	Φ445	Φ387.4	Φ324	46.5	16-Φ29	2	385	577.5	147
12"	680	Φ520	Φ450.8	Φ381	50	16-Φ32	2	476	714	196
14"	980	Φ585	Φ524.4	Φ413	52.5	20-Φ32	2	686	1029	325
16"	1100	Φ650	Φ571.5	Φ470	56	20-Φ35	2	770	1155	451

Y Strainer Flow Rate Vs. Pressure Drop : (Clean Screen)



ORDERING CODE:

Example: LDC-2-400

Lined Duo Check SS316 Body, Size 4"

Available Body Material Code:

WCB A216 Cast Steel: 1

SS316 CF8M Stainless Steel: 2

SS316L CF3M Stainless Steel: 3

Available Size Code:

2": 200

2 ½": 250

3": 300

4": 400

6": 600

8": 800

10": 1000

12": 1200

14": 1400