

Forged Steel Pressure Seal Globe Valves, Threaded & Socket-welding End, CLASS 2500 (PN 420)

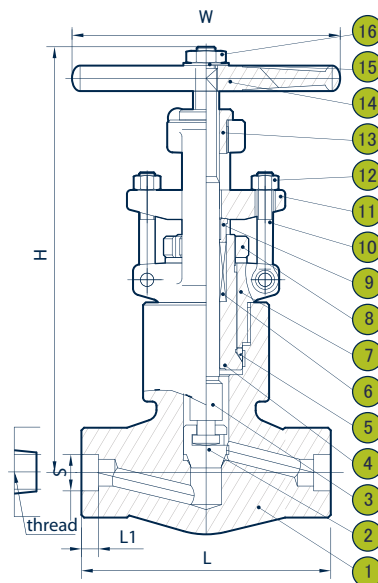
Class 2500 (PN 420)
Standard Port
ASME CLASS 2500: 6250 psi@100°F
(431.0 bar@38°C)



Globe Valve

18

DIE ERSTE reserves the right to change product design and specifications without notice. Copyright © 2008 by DIE ERSTE INDUSTRY CO., LTD.



Selection

Connection:
Threaded End/Socket-welding End

Thread Type:
NPT/BSPT/DIN

Material of the Body/Bonnet:
A105/F316/F316L/F304/F304L/F11/F22

Nominal diameter	mm(in)	15(1/2)	20(3/4)	25(1)	32(1 1/4)	40(1 1/2)	50(2)
D	mm(in)	11(0.43)	14(0.55)	19(0.75)	25(0.98)	28(1.10)	35(1.38)
L	mm(in)	186(7.32)	186(7.32)	186(7.32)	228(8.98)	228(8.98)	279(10.98)
H (Open)	mm(in)	333(13.11)	333(13.11)	333(13.11)	410(16.14)	420(16.54)	524(20.63)
W	mm(in)	125(4.92)	125(4.92)	160(6.30)	160(6.30)	180(7.09)	200(7.87)
Weight	kg	12.3	11.6	11	28	26.7	43.8

Features

- The higher the internal pressure, the greater the sealing forces
- Meets API 602 required wall thickness / ASME B16.34
- Spiral wound gasket with SS304 / graphite or SS316 / graphite
- Loose disc
- Outside screw & yoke (OS&Y)
- Two-piece self-aligning gland
- Compact and sturdy designs for high pressure-temperature service
- Replacement of handwheel without affecting the position of disc

Component and Common Materials				
NO.	PARTS NAME	MATERIALS		
1	Body	A 105	A 182-F304	A 182-F316
2	Disc Ring	13Cr	A 182-F304+STL	A 182-F316+STL
3	Stem	A 276-410	A 182-F304	A 182-F316
4	Sealing Seat	A 105	A 182-F304	A 182-F316
5	Sealing Ring	SS304		SS316
6	Stem Packing	SS304 & Graphite		SS316 & Graphite
7	Bonnet	A 105	A 182-F304	A 182-F316
8	P.S. Lock Nut	A 276-410		
9	Gland	A 276-410	A 182-F304	A 182-F316
10	Gland Eyebolt	A 193-B7		A 193-B8
11	Gland Flange	A 216-WCB	A 182-F304	A 182-F316
12	Gland Nut	A 194-2H		A 193-B8
13	Stem Nut	A 180-1020		A 276-410
14	HandWheel	A 197		
15	Name Plate	Aluminium		
16	H.W.Lock Nut	A 194-2H		A 193-B8

* Enclosed is a condensed table. For complete options, contact DIE ERSTE directly.