

# Concentric Butterfly Valve to DIN/EN Lug Type PN16, DN40 ~ DN500

## Series 81E(L)LR Lloyd's Register Approved

### Features

- Suitable for use in HVAC, irrigation, industrial applications where positive shutoff is required
- Particularly approved for marine application
- 10 position lever or gear operation
- Alloy material available on request

### Standards

- Top Flange acc. to ISO 5211
- Inspection to EN 12266

### Limitation

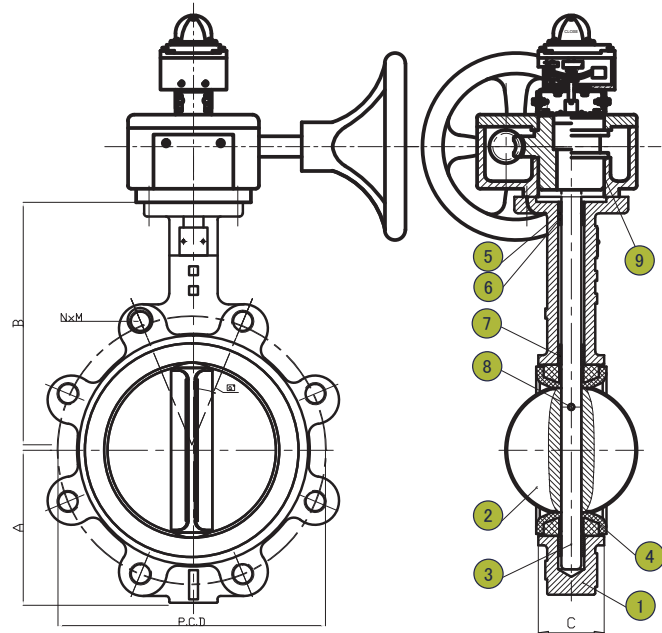
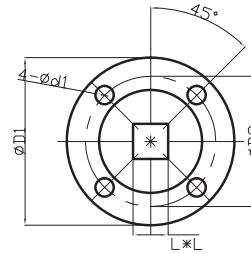
- Do not use EPDM when hydrocarbons are present.
- End-of-line service at half rating

### Options

- Double "half pin" style available for increased performance and lifecycle

### Selection:

Material of Body:  
GGG40 DI



1

DIE ERSTE reserves the right to change product design and specifications without notice. Copyright © 2019 by DIE ERSTE INDUSTRY CO., LTD.

Limit switch is for illustration and is optional

Materials List		
NO	PARTS NAME	MATERIAL
1	BODY	GGG40
2	DISC	ALUMINUM-BRONZE
3	STEM	SS431
4	SEAT	NBR
5	O-RING	EPDM
6	SHORT BUSHING	BRONZE
7	LONG BUSHING	BRONZE
8	TAPER PIN	SS316
9	HANDLE	GGG40
10	NAME PLATE	ALUMINUM
11	PLATE RIVET	ALUMINUM

\*Enclosed a condensed table, for complete options, contact DIE ERSTE directly.

### Dimensions (mm)

Size		A	B	C	P.C.D	NXM	Q <sup>0</sup>	ØD1	ØD2	4-Ød	LXL
IN	DN										
1½"	40	65	120	33	Ø110	4XM16	45°	65	50	4-Ø7	9X9
2"	50	80	161	43	Ø125	4XM16	45°	65	50	4-Ø7	9X9
2½"	65	89	175	46	Ø145	4XM16	45°	65	50	4-Ø7	9X9
3"	80	95	181	46	Ø160	8XM16	22.5°	65	50	4-Ø7	9X9
4"	100	114	200	52	Ø180	8XM16	22.5°	90	70	4-Ø10	11X11
5"	125	127	213	56	Ø210	8XM16	22.5°	90	70	4-Ø10	14X14
6"	150	139	226	56	Ø240	8XM20	22.5°	90	70	4-Ø10	14X14
8"	200	175	260	60	Ø295	12XM20	15°	125	102	4-Ø12	17X17
10"	250	203	292	68	Ø355	12XM24	15°	125	102	4-Ø12	22X22