

Concentric Butterfly Valve to DIN/EN
Wafer Type
PN16, DN40 ~ DN300

Series 81E(W)LR
Lloyd's Register Approved

Features

- Suitable for use in HVAC, irrigation, industrial applications where positive shutoff is required
- Particularly approved for marine application
- 10 position lever or gear operation
- Alloy material available on request

Standards

- Top Flange acc. to ISO 5211
- Inspection to EN 12266

Limitation

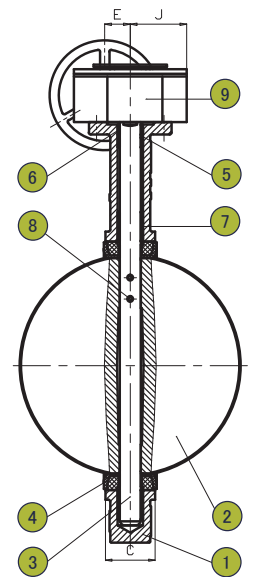
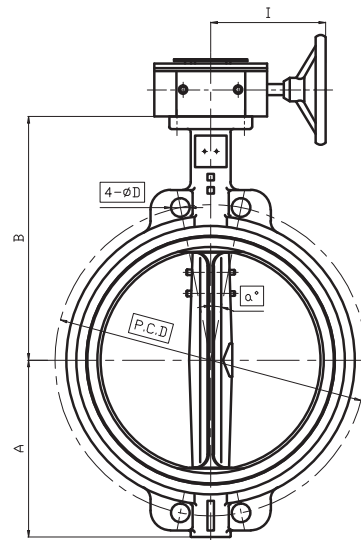
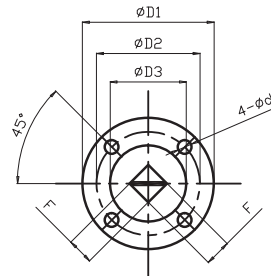
- Do not use EPDM when hydrocarbons are present.
- End-of-line service at half rating

Options

- Double "half pin" style available for increased performance and lifecycle

Selection:

Material of Body:
GGG40 DI



Materials List		
NO	PARTS NAME	MATERIAL
1	BODY	GGG40
2	DISC	Cu-Al
3	STEM	SS431
4	SEAT	NBR
5	O-RING	NBR
6	SHORT BUSHING	PTFE
7	LONG BUSHING	PTFE
8	TAPER PIN	SS410
9	GEAR BOX	ASSEMBLY

*Enclosed a condensed table, for complete options, contact DIE ERSTE directly.

Dimensions (mm)

Size		A	B	C	P.C.D	4-ØD	Q°	E	J	I	ØD1	ØD2	ØD3	4-Ød	FXF
IN	DN														
1½"	40	66	122	33	Ø110	4-Ø19	45°	45	51	154	65	50	33.25	4-Ø7	9X9
2"	50	80	161	43	Ø125	4-Ø19	45°	45	51	154	65	50	33.25	4-Ø7	9X9
2½"	65	89	175	46	Ø145	4-Ø19	45°	45	51	154	65	50	33.25	4-Ø7	9X9
3"	80	95	181	46	Ø160	4-Ø19	22.5°	45	51	154	65	50	33.25	4-Ø7	9X9
4"	100	114	200	52	Ø180	4-Ø19	22.5°	45	51	154	90	70	55.25	4-Ø10	11X11
5"	125	127	213	56	Ø210	4-Ø19	22.5°	45	51	154	90	70	55.25	4-Ø10	14X14
6"	150	139	226	56	Ø240	4-Ø23	22.5°	45	51	154	90	70	55.25	4-Ø10	14X14
8"	200	175	260	60	Ø295	4-Ø23	15°	66	71	225	125	102	70.25	4-Ø12	17X17
10"	250	203	292	68	Ø355	4-Ø28	15°	66	71	225	125	102	70.25	4-Ø12	22X22
12"	300	242	337	78	Ø410	4-Ø28	15°	80	76	215	125	102	70.25	4-Ø12	22X22