

"Y" STRAINER

Model F0511-175 Cast Iron



LISTED
for Fire Lines

Specification:

- Flange drilling to ANSI B16.1 Class 125
- NPT or BSPT blowoff outlet on cover (blowoff outlets are furnished with plugs)
- Recessed seat in body assures accurate screen alignment

Working Pressure:

- 175 psi (12 bars)

Working Temperature:

- 14°F to 248°F (-10°C to 120°C)

Corrosion Protection:

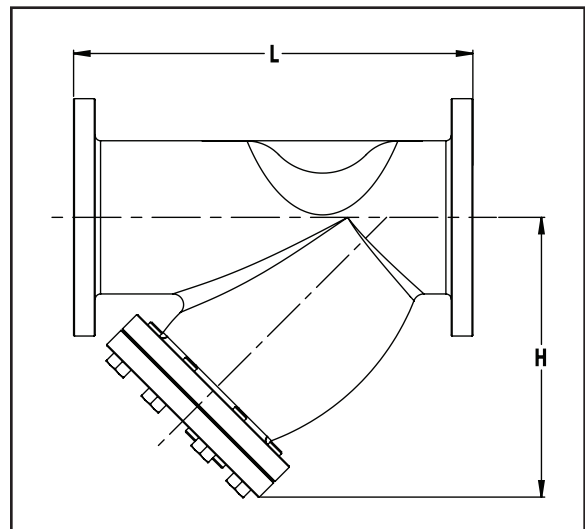
- Fusion bonded epoxy coated Interior and Exterior (FBE). Epoxy powder certified to NSF-61.

STANDARD SCREENS

Size	Hole Diameter	Free Flow Area
2 -1/2"	0.12"	53.6%
3" - 5"	0.17"	46.3%
6" - 10"	0.24"	54.5%
12"	0.25"	57.2%

LIST OF MATERIALS

Part	Material	ASTM SPEC.
Body	Cast Iron	A126 Class B
Cover	Cast Iron	A126 Class B
Screen	Stainless Steel	AISI 304
Gasket	EPDM	EPDM
Plug	Cast Iron	A126 Class B
Bolts	Carbon Steel	Grade 8.8



DIMENSIONS

Size	2.5"	3"	4"	5"	6"	8"	10"	12"
Part No.	F0511-175-125	F0511-175-130	F0511-175-140	F0511-175-150	F0511-175-160	F0511-175-180	F0511-175-200	F0511-175-220
L	10-3/4	11-5/8	13-7/8	16-3/8	18-1/2	21-3/8	26	30-5/16
H	5-5/16	8-1/2	9-5/8	11-5/8	12-5/8	16-3/8	19-1/8	22-1/16
Plug	1"	1"	1"	1-1/4"	1-1/2"	1-1/2"	2"	2"
Weight Lbs.	31	38	71	105	138	237	386	558

Dimensions in Inches

Design and materials are subject to change without notice.



WARNING: This product can expose you to chemicals including lead, which is known to the State of California to cause cancer and birth defects or other reproductive harm. For more information go to www.P65Warnings.ca.gov.



United Water Products
5355 Ramona Blvd., Jacksonville, FL 32205
TEL: 877-766-4459 FAX: 877-766-4458
Website: www.unitedwaterproducts.com