

Model: KS-1WSC

Design feature:

- Applications for Marine, Petrochemical, Chemical, Pharmaceutical, Air-Conditioning, Ventilation plants, Fire protection systems.
- This wafer type swing check valves are designed to be sandwiched between flanges, reduced length dimensions and Weights.
- The valve is lighter, smaller and therefore less expensive both to install and to maintain than conventional check valve.
- Easy installing & Maintaining.
- Full port, Very Low Pressure Drops.
- DIN 10204-3.1 Certificate Available

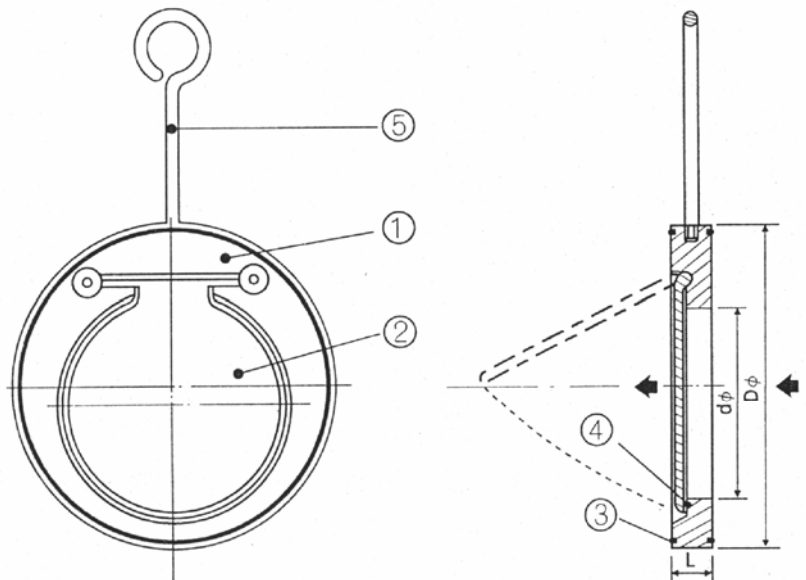


Specifications:

- Flow bore: Reduced port.
- Available for installation with DIN flanges
PN10, 16: ANSI Class 150, Class 300;
JIS 10K.
- Materials: Carbon Steel/ SS304 / SS316
- Size range: 1/2" ~ 26".

Standard:

- Inspection & testing according to API 598.
- PED 97/23/EC; ISO 9001



Material List:

No.	Part Name	Material
1	Body	Carbon Steel/ SS304 /SS316
2	Disc	Carbon Steel/ SS304 /SS316
3	Body Seal	NBR, VITON, PTFE, Metal
4	Clapper Seat	NBR, VITON, PTFE, Metal
5	O-Bolt	SUS 304

Fluid Specification:

Body & Disc	SS304/ SS316	SS304/ SS316	SS304/ SS316
Seat	NBR	VITON	PTFE
Fluid	Air, Oil, Water & Other	Air, Oil, Hot Water & Other	Air, Oil, Steam & Other
Fluid Temp Max. °C	up to +80°C	up to +180°C	up to +180°C

DIMENSIONS LIST:

SIZE	1/2"	3/4"	1"	1-1/4"	1-1/2"	2"	2-1/2"	3"	4"	5"	6"	8"	10"	12"	14"	16"	18"	20"	22"	24"	26"	
d	8	9	9	12	19	30	42	50	72	93	113	142	190	211	260	306	340	408	450	485	520	
D	JIS 10K	55	60	70	80	85	104	124	134	159	190	220	270	332	370	415	475	530	580	640	690	745
	Class 150	47	56	66	76	85	104	124	134	174	190	220	270	332	409	448	510	548	605	657	715	770
	Class 300	53	63	72	84	94	111	129	148	179	214	250	307	360	423							
	PN16	53	63	72	84	94	109	129	144	164	194	220	275	330	386	446	498	558	620			
L	14	14	14	14	14	14	14	14	18	18	20	27	29	35	38	45	55	65	70	70	70	

We hereby reserve the rights to any alternative dimension that would help to improve valve quality and working efficiency