

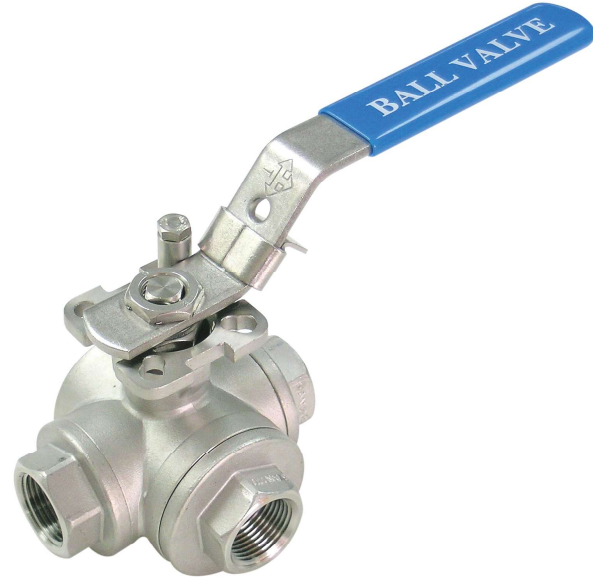
DIRECT MOUNT 3-WAY FULL/STANDARD PORT BALL VALVE Model Series M5 (Formerly HC-3WDM)

SIL 3 Capable

- **Body Material**
ASTM CF8M, DIN 1.4408
- **Size Range**
1/4" - 2" (DN8~DN50)
- **Pressure Rating**
1000 PSI, DIN PN63
- **End Connection**
Female pipe thread to NPT, DIN259/2999, and BS standards
- **Temperature Range**
-4°F to 350°F (-20°C to 180°C) with PTFE seats

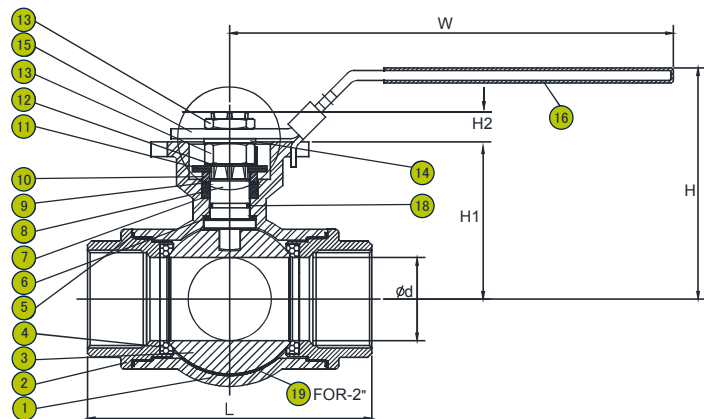
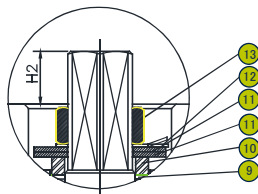
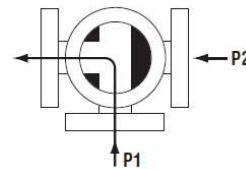
MATERIALS LIST:

NO.	PART NAME	MATERIAL
1	BODY	CF8M
2	CAP	CF8M
3	BALL	CF8M
4	BALL SEAT	PTFE / RTFE
5	BODY SEAL	PTFE
6	THRUST WASHER	PTFE
7	STEM PACKING	PTFE
8	STEM	ASTM A276 316
9	THRUST WASHER	TFM 1600
10	GLAND	SS304
11	BELLEVILLE WASHER	SS304 CSP
12	LOCK SADDLE	SS304
13	STEM NUT	SS304
14	HANDLE WASHER	SS304
15	HANDLE	SS304
16	HANDLE SLEEVE	VINYL
17	STOP PIN & SCREW	SS304
18	O-RING	VITON
19	2" BALL SUPPORT GASKET	PTFE



Application Limitation

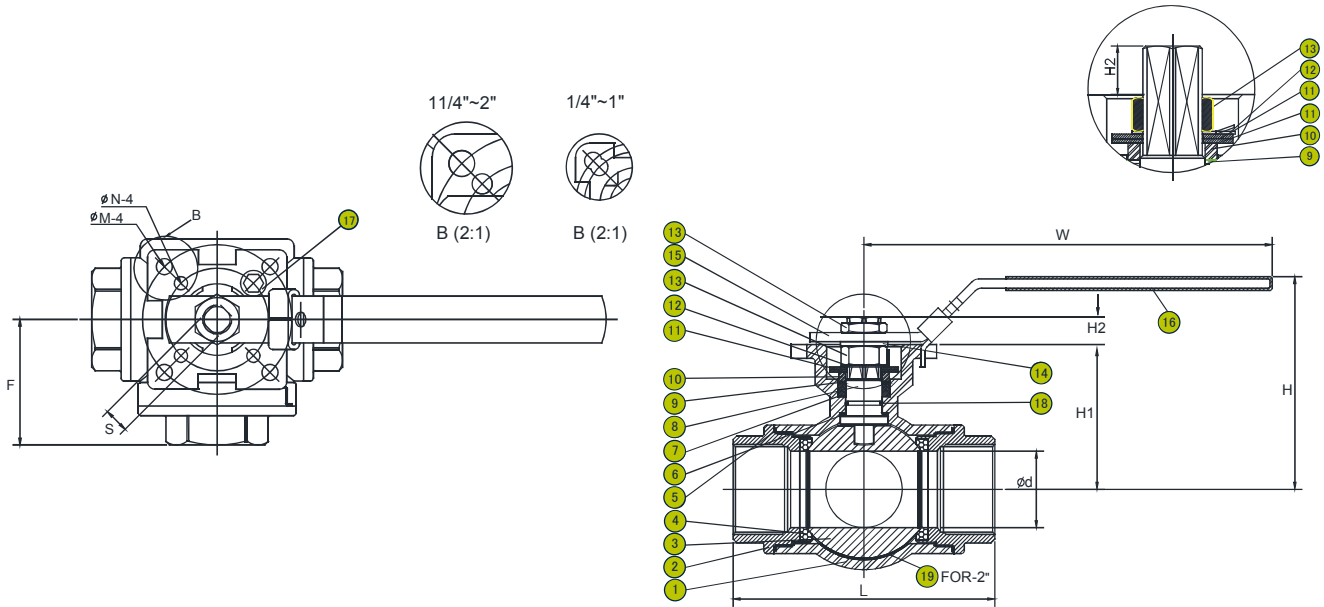
Referring to below diagram, there is a limitation to the differential pressure between flow P2 and P1. Where P2 > P1, leakage from P2 to P1 could occur. The same logic follows for other L/T flow patterns.



DIRECT MOUNT 3-WAY FULL/STANDARD PORT BALL VALVE

Model Series M5 (Formerly HC-3WDM)

SIL 3 Capable



Dimensions - Standard Port (mm):

SIZE	d	L	H	W	S	H1	H2	M	N	F	ISO 5211	Torque N-m	Torque lbs-in
1/4"	8	11.0	75.7	64.9	132	9	36.8	8.2	6	6	F03 / F04	4	33
3/8"	10	11.0	75.7	64.9	132	9	36.8	8.2	6	6	F03 / F04	4	33
1/2"	15	12.5	75.7	64.9	132	9	36.8	8.2	6	6	F03 / F04	4	33
3/4"	20	16.0	86.6	71.6	132	9	44.1	9.0	6	6	F03 / F04	5	50
1"	25	20.0	103.0	94.3	180	11	55.1	11.5	7	6	F04 / F05	9	90
1-1/4"	32	25.0	118.2	100.0	180	11	60.7	11.5	7	6	F04 / F05	17	170
1-1/2"	38	32.0	125.8	115.7	225	14	75.2	15.1	9	7	F05 / F07	22	220
2"	50	38.0	149.0	124.9	225	14	84.4	15.1	9	7	F05 / F07	38	380

Dimensions - Full Port (mm):

SIZE	d	L	H	W	S	H1	H2	M	N	F	ISO 5211	Torque N-m	Torque lbs-in
1/4"	8	11.0	75.7	64.9	132	9	36.8	8.2	6	6	F03 / F04	4	33
3/8"	10	11.0	75.7	64.9	132	9	36.8	8.2	6	6	F03 / F04	4	33
1/2"	15	16.0	86.6	71.6	132	9	44.1	9.0	6	6	F03 / F04	5	50
3/4"	20	20.0	103.0	94.3	180	11	55.1	11.5	6	7	F04 / F05	9	90
1"	25	25.0	118.2	100.0	180	11	60.7	11.5	6	7	F04 / F05	17	170
1-1/4"	32	32.0	125.8	115.7	225	14	75.2	15.1	7	9	F05 / F07	22	220
1-1/2"	38	38.0	149.0	124.9	225	14	84.4	15.1	7	9	F05 / F07	38	380
2"	50	50.0	171.2	139.0	267	17	94.6	18.0	9	11	F07 / F10	60	600

Note: Torque measured at ambient temperature with no loading; safety factor is not included.