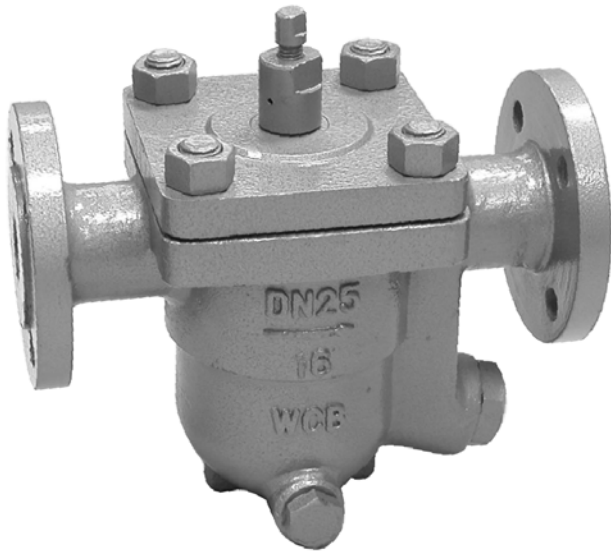


**Model:** LWZ-CS41F

**Rating:** PN16~40

**Design feature:**

- Excellent draining efficiency, resisting leaking heat gas.
- Can drain automatically cool air of system.
- Prevent atmo seal, no noise when working.
- Maximum allowable working pressure: 40barg
- Maximum allowable working temperature: 300°C
- Maximum back pressure as percent inlet pressure, 80%.
- Test pressure shell: 60bar g.
- Fluid application: vapor, condensation.
- Media minimum temperature: 5°C
- End Connection: PN16/20/25/40 Or Other.

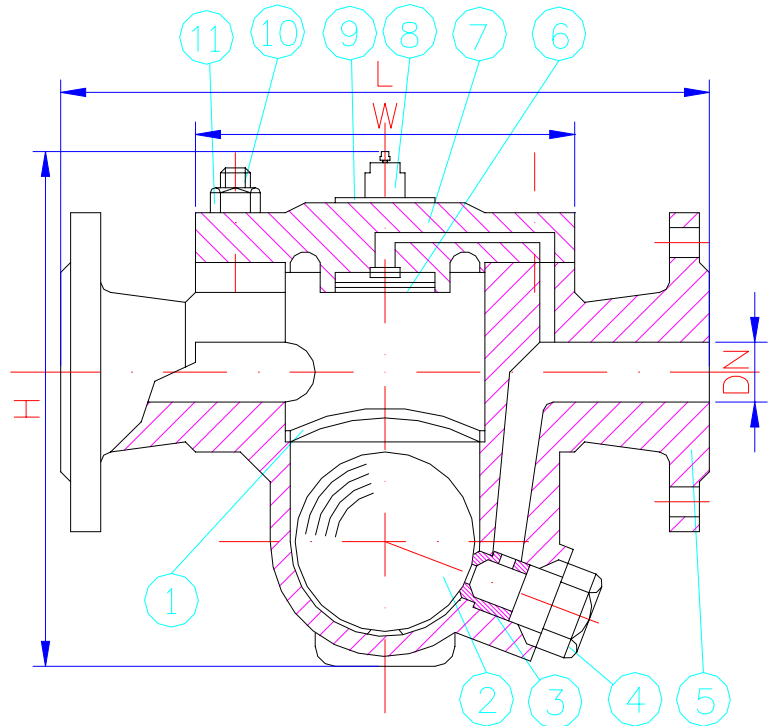


**Specifications:**

- Construction: .Free Floating Ball Type.
- Flow bore: full port.
- Rating: DIN PN16/20/25/40;
- Temperature: 41°F ~572°F
- Materials: ASTM A216-WCB, WC6
- Size range: 1/2"~8".

**Dimensions List**

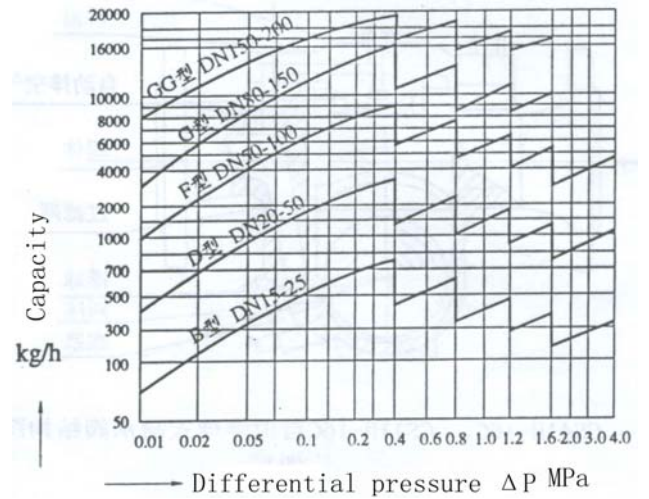
DN	NPS	W	H	L
15	1/2"	140	175	210
20	3/4"	140	180	210
25	1"	140	181	230
32	1-1/4"	175/195	265/310	270/320
40	1-1/2"	175/195	270/310	280/320
50	2"	175/195	274/315	290/320
65	2-1/2"	260	410	400
80	3"	260	410	430
100	4"	290	465	460
125	5"	315	530	570
150	6"	315	530	570
200	8"	330	570	575



TYPE	PN16-B	PN25-B	PN40-B	PN16-D	PN25-D	PN40-D	PN16-F	PN25-F	PN40-F	PN16-G	PN25-G	PN40-G	PN16-GG
DN	15~25	15~25	15~25	20~32	40~50	20~50	50~80	50~100	50~100	80~100	80~150	80~150	150~200
Max. Temp °C	300	350	425	300	350	425	300	350	425	300	350	425	350

## MATERIALS LIST:

NO.	PARTS NAME	MATERIALS
1	SCREEN	SS304, SS316
2	BALL	SS304, SS316
3	SEAT	SS304, SS316
4	NUT	ASTM A193 B7
5	BODY	ASTM A216-WCB, WC6
6	AIR VENT ASSEMBLY	STAINLESS STEEL
7	COVER	ASTM A216-WCB, WC6
8	AIR VENT ASSEMBLY NUT	ASTM A193 B7
9	NAME PLATE	ALUMINUM
10	COVER BOLT	ASTM A194 2H
11	COVER NUT	ASTM A193 B7



Version: 20060102



**DIE ERSTE INDUSTRY CO., LTD**

5F-1, No.936, Sec4, Wen-Sin Road, Taichung, Taiwan, R.O.C.

Tel: +886 4 2231 0059

Fax: +886 4 2236 0236

E-mail: [die0824@ms14.hinet.net](mailto:die0824@ms14.hinet.net)

URL <http://www.die-erste.com>