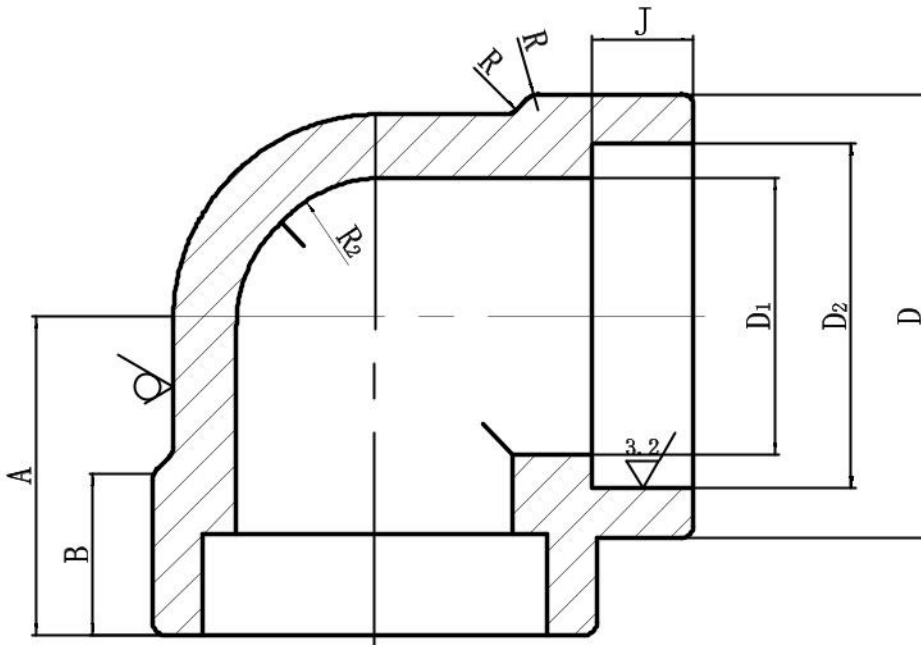


其余 $\frac{6.3}{\nabla}$



in	DN	D _{min}	B	A	D ₂	J	D ₁	R	kg	R ₂
1/8	6	18	13	20.5 ±0.5	10.8 $^{+0.4}_0$	9.5 $^{+0.3}_0$	6.1 $^{+1.5}_0$	2	0.09	$\frac{D_1}{2}-2$
1/4	8	22	14	20.5 ±0.5	14.2 $^{+0.4}_0$	9.5 $^{+0.3}_0$	8.5 $^{+1.5}_0$	2	0.10	
3/8	10	26	14	23.0 ±0.8	17.6 $^{+0.4}_0$	9.5 $^{+0.3}_0$	11.8 $^{+1.5}_0$	2	0.12	
1/2	15	32	16	25.0 ±0.8	21.8 $^{+0.4}_0$	9.5 $^{+0.3}_0$	15.0 $^{+1.5}_0$	2	0.26	
3/4	20	38	18	31.5 ±0.8	27.2 $^{+0.4}_0$	12.5 $^{+0.4}_0$	20.2 $^{+1.5}_0$	3	0.35	
1	25	46	20	35.0 ±1.0	33.9 $^{+0.4}_0$	12.5 $^{+0.4}_0$	25.9 $^{+1.5}_0$	3.5	0.49	
1 1/4	32	56	20	39.5 ±1.0	42.7 $^{+0.4}_0$	12.5 $^{+0.4}_0$	34.3 $^{+1.5}_0$	3.5	0.85	
1 1/2	40	62	24	44.5 ±1.0	48.8 $^{+0.4}_0$	12.5 $^{+0.4}_0$	40.1 $^{+1.5}_0$	4	1.05	
2	50	76	26	54.0 ±1.0	61.2 $^{+0.5}_0$	16.0 $^{+0.5}_0$	51.7 $^{+1.6}_0$	4	1.75	
2 1/2	65	92	29	57.0 ±1.5	73.9 $^{+0.5}_0$	16.0 $^{+0.5}_0$	61.2 $^{+3.0}_0$	5	3.80	
3	80	110	36	73.0 ±1.5	89.8 $^{+0.5}_0$	16.0 $^{+0.5}_0$	76.4 $^{+3.0}_0$	6	5.20	
4	100	138	38	85.5 ±1.5	115.2 $^{+0.5}_0$	19.0 $^{+0.5}_0$	100.7 $^{+3.1}_0$	6	11.0	



Material:

			Elbow	ASME B16.11-2016
				3000 Lb
			1/8" - 4"	SS316