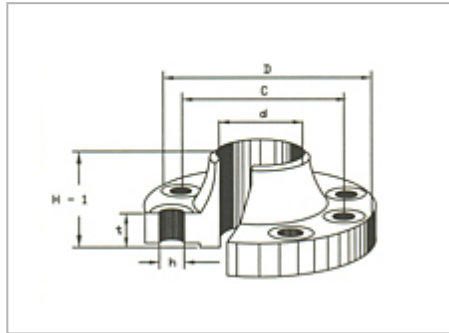




Raised Face Weld Neck Flanges ANSI 150 Steel



<u>Item #</u>	<u>Size</u>	<u>D</u>	<u>C</u>	<u>Number of Bolts</u>	<u>h</u>	<u>Material</u>
A150WN-015	015 - 1/2"	89 mm	60 mm	4	16 mm	Carbon Steel
A150WN-020	020 - 3/4"	99 mm	70 mm	4	16 mm	Carbon Steel
A150WN-025	025 - 1"	108 mm	80 mm	4	16 mm	Carbon Steel
A150WN-032	032 - 1-1/4"	118 mm	89 mm	4	16 mm	Carbon Steel
A150WN-040	040 - 1-1/2"	127 mm	98 mm	4	16 mm	Carbon Steel
A150WN-050	050 - 2"	152 mm	121 mm	4	20 mm	Carbon Steel
A150WN-065	065 - 2-1/2"	178 mm	140 mm	4	20 mm	Carbon Steel
A150WN-080	080 - 3"	190 mm	152 mm	4	20 mm	Carbon Steel
A150WN-100	100 - 4"	229 mm	190 mm	8	20 mm	Carbon Steel
A150WN-125	125 - 5"	254 mm	216 mm	8	23 mm	Carbon Steel
A150WN-150	150 - 6"	279 mm	241 mm	8	23 mm	Carbon Steel
A150WN-200	200 - 8"	343 mm	298 mm	8	23 mm	Carbon Steel



<u>Item #</u>	<u>Size</u>	<u>D</u>	<u>C</u>	<u>Number of Bolts</u>	<u>h</u>	<u>Material</u>
<u>A150WN-250</u>	250 - 10"	406 mm	362 mm	12	26 mm	Carbon Steel
<u>A150WN-300</u>	300 - 12"	482 mm	431 mm	12	26 mm	Carbon Steel
<u>A150WN-350</u>	350 - 14"	533 mm	476 mm	12	28 mm	Carbon Steel
<u>A150WN-400</u>	400 - 16"	597 mm	540 mm	16	29 mm	Carbon Steel
<u>A150WN-450</u>	450 - 18"	635 mm	578 mm	16	32 mm	Carbon Steel
<u>A150WN-500</u>	500 - 20"	698 mm	635 mm	20	32 mm	Carbon Steel
<u>A150WN-550</u>	550 - 22"	749 mm	692 mm	20	35 mm	Carbon Steel
<u>A150WN-600</u>	600 - 24"	813 mm	749 mm	20	35 mm	Carbon Steel
<u>A150WN-650</u>	650 - 26"	870 mm	806 mm	24	35 mm	Carbon Steel
<u>A150WN-750</u>	750 - 30"	984 mm	914 mm	28	35 mm	Carbon Steel
<u>A150WN-850</u>	850 - 34"	1111 mm	1029 mm	32	41 mm	Carbon Steel
<u>A150WN-900</u>	900 - 36"	1168 mm	1086 mm	32	41 mm	Carbon Steel

