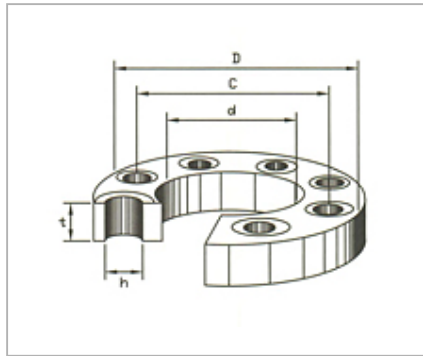




**Flat Faced Slip-On Flanges DIN PN40 Steel**



<u>Item #</u>	<u>Size</u>	<u>d</u>	<u>D</u>	<u>C</u>	<u>Number of Bolts</u>	<u>h</u>	<u>t</u>
<a href="#">D2576-40-010</a>	010 - 3/8"	17.7 mm	90 mm	60 mm	4	14 mm	14 mm
<a href="#">D2576-40-015</a>	015 - 1/2"	21.3 mm	95 mm	65 mm	4	14 mm	14 mm
<a href="#">D2576-40-020</a>	020 - 3/4"	26.9 mm	105 mm	75 mm	4	14 mm	16 mm
<a href="#">D2576-40-025</a>	025 - 1"	33.7 mm	115 mm	85 mm	4	14 mm	16 mm
<a href="#">D2576-40-032</a>	032 - 1-1/4"	42.4 mm	140 mm	100 mm	4	18 mm	18 mm
<a href="#">D2576-40-040</a>	040 - 1-1/2"	48.3 mm	150 mm	110 mm	4	18 mm	18 mm
<a href="#">D2576-40-050</a>	050 - 2"	60.3 mm	165 mm	125 mm	4	18 mm	20 mm
<a href="#">D2576-40-065</a>	065 - 2-1/2"	76.1 mm	185 mm	145 mm	8	18 mm	22 mm
<a href="#">D2576-40-080</a>	080 - 3"	88.9 mm	200 mm	160 mm	8	18 mm	24 mm
<a href="#">D2576-40-100</a>	100 - 4"	114.3 mm	235 mm	190 mm	8	22 mm	26 mm
<a href="#">D2576-40-125</a>	125 - 5"	139.7 mm	270 mm	220 mm	8	26 mm	28 mm
<a href="#">D2576-40-150</a>	150 - 6"	168.3 mm	300 mm	250 mm	8	26 mm	30 mm
<a href="#">D2576-40-175</a>	175 - 7"	196.1 mm	350 mm	295 mm	12	30 mm	28 mm



<u>Item #</u>	<u>Size</u>	<u>d</u>	<u>D</u>	<u>C</u>	<u>Number of Bolts</u>	<u>h</u>	<u>t</u>
<a href="#"><u>D2576-40-200</u></a>	200 - 8"	219.1 mm	375 mm	320 mm	12	30 mm	36 mm
<a href="#"><u>D2576-40-250</u></a>	250 - 10"	273 mm	450 mm	385 mm	12	33 mm	42 mm
<a href="#"><u>D2576-40-300</u></a>	300 - 12"	323.9 mm	515 mm	450 mm	16	33 mm	52 mm
<a href="#"><u>D2576-40-350</u></a>	350 - 14"	359.7 mm	580 mm	510 mm	16	36 mm	38 mm
<a href="#"><u>D2576-40-400</u></a>	400 - 16"	423.7 mm	660 mm	585 mm	16	39 mm	40 mm
<a href="#"><u>D2576-40-450</u></a>	450 - 18"	462.3 mm	685 mm	610 mm	20	39 mm	42 mm
<a href="#"><u>D2576-40-500</u></a>	500 - 20"	513.6 mm	755 mm	670 mm	20	42 mm	44 mm
<a href="#"><u>D2576-40-600</u></a>	600 - 24"	N/A	890 mm	795 mm	20	48 mm	N/A

