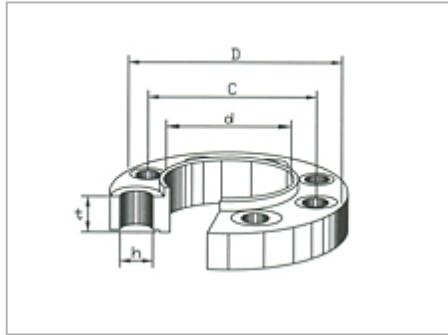




Raised Faced Slip-On Flanges ANSI 150 Stainless Steel



<u>Item #</u>	<u>Size</u>	<u>Pressure</u>	<u>D</u>	<u>C</u>	<u>Number of Bolts</u>	<u>h</u>
A150SOSS-015	015 - 1/2"	ANSI 150	89 mm	60 mm	4	16 mm
A150SOSS-020	020 - 3/4"	ANSI 150	99 mm	70 mm	4	16 mm
A150SOSS-025	025 - 1"	ANSI 150	108 mm	80 mm	4	16 mm
A150SOSS-032	032 - 1-1/4"	ANSI 150	118 mm	89 mm	4	16 mm
A150SOSS-040	040 - 1-1/2"	ANSI 150	127 mm	98 mm	4	16 mm
A150SOSS-050	050 - 2"	ANSI 150	152 mm	121 mm	4	20 mm
A150SOSS-065	065 - 2-1/2"	ANSI 150	178 mm	140 mm	4	20 mm
A150SOSS-080	080 - 3"	ANSI 150	190 mm	152 mm	4	20 mm
A150SOSS-100	100 - 4"	ANSI 150	229 mm	190 mm	8	20 mm
A150SOSS-125	125 - 5"	ANSI 150	254 mm	216 mm	8	23 mm
A150SOSS-150	150 - 6"	ANSI 150	279 mm	241 mm	8	23 mm
A150SOSS-200	200 - 8"	ANSI 150	343 mm	298 mm	8	23 mm



<u>Item #</u>	<u>Size</u>	<u>Pressure</u>	<u>D</u>	<u>C</u>	<u>Number of Bolts</u>	<u>h</u>
<u>A150SOSS-250</u>	250 - 10"	ANSI 150	406 mm	362 mm	12	26 mm
<u>A150SOSS-300</u>	300 - 12"	ANSI 150	482 mm	431 mm	12	26 mm
<u>A150SOSS-350</u>	350 - 14"	ANSI 150	533 mm	476 mm	12	28 mm
<u>A150SOSS-400</u>	400 - 16"	ANSI 150	597 mm	540 mm	16	29 mm
<u>A150SOSS-450</u>	450 - 18"	ANSI 150	635 mm	578 mm	16	32 mm
<u>A150SOSS-500</u>	500 - 20"	ANSI 150	698 mm	635 mm	20	32 mm
<u>A150SOSS-550</u>	550 - 22"	ANSI 150	749 mm	692 mm	20	35 mm
<u>A150SOSS-600</u>	600 - 24"	ANSI 150	813 mm	749 mm	20	35 mm
<u>A150SOSS-650</u>	650 - 26"	ANSI 150	870 mm	806 mm	24	35 mm
<u>A150SOSS-750</u>	750 - 30"	ANSI 150	984 mm	914 mm	28	35 mm
<u>A150SOSS-850</u>	850 - 34"	ANSI 150	1111 mm	1029 mm	32	41 mm
<u>A150SOSS-900</u>	900 - 36"	ANSI 150	1168 mm	1086 mm	32	41 mm

