

## Forged Steel Swing Type Check Valves, Threaded & Socket-welding End, **CLASS 1500 (PN 260)**

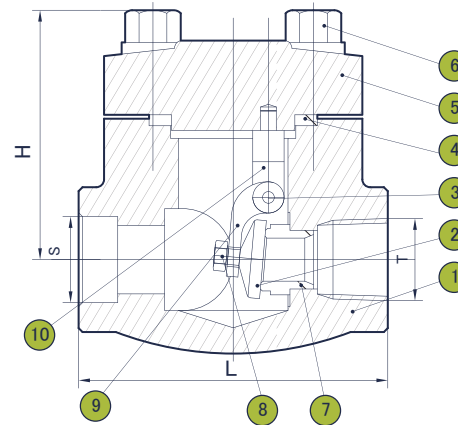
**Class 1500 (PN 260)**  
Full Port/Standard Port  
ASME CLASS 800: 3705 psi@100°F  
(255.5 bar@38°C)

### Features

- Meets API 602 required wall thickness / ASME B16.34
- Spiral wound gasket with SS304 / graphite or SS316 / graphite
- Horizontal type
- Compact and sturdy designs for high pressure-temperature service



32



### Selection

Connection:  
Threaded End/Socket-welding End

Thread Type:  
NPT/BSPT/DIN

Material of the Body/Bonnet:  
A105/F316/F316L/F304/F304L/F11/F22

Nominal diameter	mm(in)	15(1/2)	20(3/4)	25(1)	32(11/4)	40(11/2)	50(2)
D	mm(in)	12.7(0.5)	18(0.71)	23(0.91)	28.5(1.12)	36(1.42)	43(1.69)
L	mm(in)	92(3.62)	111(4.37)	120(4.72)	120(4.72)	140(5.51)	170(6.69)
H	mm(in)	63(2.48)	78(3.07)	82(3.23)	102(4.02)	120(4.72)	140(5.51)
Weight	kg	1.1	1.9	3.4	4.5	7.3	10

### Component and Common Materials

NO.	PARTS NAME	MATERIALS		
1	Body	A 105	A 182-F304	A 182-F316
2	Disc	13Cr	A 182-F304+STL	A 182-F316+STL
3	Pin	A 276-304	A 182-F304	A 182-F316
4	Gasket	SS304 & Graphite		SS316 & Graphite
5	Cap	A 105	A 182-F304	A 182-F316
6	Cap Blot	A 193-B7		A 193-B8
7	Seat	13Cr	A 182-F304+STL	A 182-F316+STL
8	Disc Nut	A 193-B7		A 193-B8
9	Swing Arm	A 105	A 182-F304	A 182-F316
10	Swing Arm Hold	A 105	A 182-F304	A 182-F316

\* Enclosed is a condensed table. For complete options, contact DIE ERSTE directly.