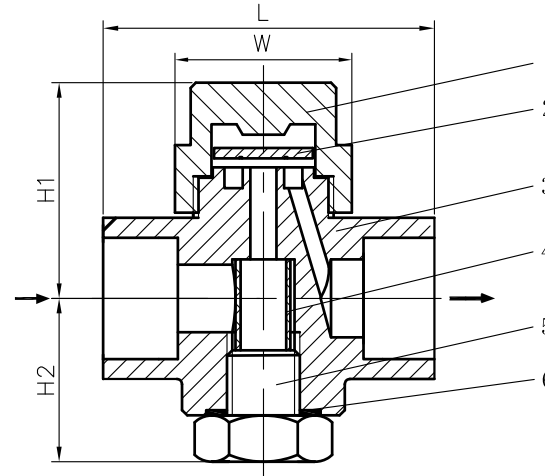


NO	NAME	MATEIAL
1	PLUG	C.S.
2	GASKET	COPER
3	SCREEN	S304
4	BODY	A105
5	DISC	20cr13
6	CAP	A105

SIZE(DN)	(mm)			
	L	H1	H2	W
15	80	48	50	47
20	80	48	50	47
25	85	48	50	47

MODEL	CS19T-25C
PRESSURE	2.5 Mpa
WORK PRESSURE	0.1~1.1 Mpa
TMO	300°C



NO	NAME	MATEIAL
1	PLUG	C.S.
2	GASKET	COPER
3	SCREEN	S304
4	BODY	A105
5	DISC	20cr13
6	CAP	A105

SIZE (DN)	(mm)			
	L	H1	H2	W
40	130	72	58	68
50	140	76	64	68

MODEL	CS19T-25C
PRESSURE	2.5 Mpa
WORK PRESSURE	0.1~1.1 Mpa
TMO	300°C



**DIE ERSTE INDUSTRY CO., LTD,**  
TAICHUNG, TAIWAN

SHEET 1 OF 1

DRAWN BY:

REVIEW BY:

APPROVAL:

UNIT: mm

**DO NOT SCALE DRAWING**

TITLE:

**THERMODYNAMIC STEAM TRAP  
PN25**

REV

**1.0**

REMARK



PROJECT: DWG. NO.

PROPRIETARY AND CONFIDENTIAL

THE INFORMATION CONTAINED IN THIS DRAWING IS THE SOLE PROPERTY OF (DIE ERSTE INDUSTRY CO., LTD.) . ANY REPRODUCTION IN PART OR AS A WHOLE WITHOUT THE WRITTEN PERMISSION OF (DIE ERSTE INDUSTRY CO.,LTD.) IS PROHIBITED.