



Owner's Manual
Pelican Sediment Filter

© Copyright 2019 Enviro Water Solutions LLC. All rights reserved.

All information contained herein is the property of Pelican Water Systems. Pelican Water Systems makes no warranty of any kind with regard to this material, including, but not limited to, the implied warranties of merchantability and fitness for a particular purpose. Pelican Water Systems shall not be liable for technical or editorial errors or omissions contained herein or for incidental or consequential damages in connection with the furnishing, performance, or use of this material. The information is provided "as is" without warranty of any kind and is subject to change without notice. This document contains proprietary information which is protected by copyright. No part of this document may be photocopied, reproduced, or translated into another language without the prior written consent of Pelican Water Systems. Pelican Water Systems is an Enviro Water Solutions, LLC. company.

Product Operation and Specifications

Specification Description	BB10	BB20
Max Flow Rate	15 GPM	25 GPM
Minimum Working Pressure	25 PSI	
Maximum Working Pressure	80 PSI	
Maximum Vacuum	5 inch/127 mm Hg	
Operating Temperatures	36°F – 120°F	
pH Range	6 - 11	

Important Information

- Read these instructions carefully and determine the location of all system components before beginning installation.
- Check all applicable plumbing, building, and electrical codes for installation compliance.
- Install the system on the main water supply.
- The use of Teflon Tape and/or Pipe Thread Seal Paste will be needed on all threaded connections.



If this or any other system is installed in a metal (conductive) plumbing system, i.e. copper or galvanized metal, the plastic components of the system will interrupt the continuity of the plumbing system. As a result any errant electricity from improperly grounded appliances downstream or potential galvanic activity in the plumbing system can no longer ground through contiguous metal plumbing. Some homes may have been built in accordance with building codes, which actually encouraged the grounding of electrical appliances through the plumbing system. Consequently, the installation of a bypass consisting of the same material as the existing plumbing, or a grounded "jumper wire" bridging the equipment and re-establishing the contiguous conductive nature of the plumbing system must be installed prior to your systems use.

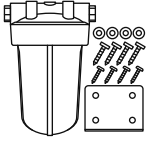
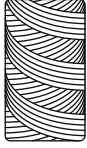

CAUTION:

When adding a filtration/softening system to homes/buildings supplied by well water, the system should be installed following the pressure tank. **DO NOT USE this system for pneumatic or hydro pneumatic applications. If you are using a booster pump, then install this system following the booster pump.** If you have questions, please call customer service.

Complete Parts List

Note: Pelican supplies the parts below to accommodate a variety of water supply lines.

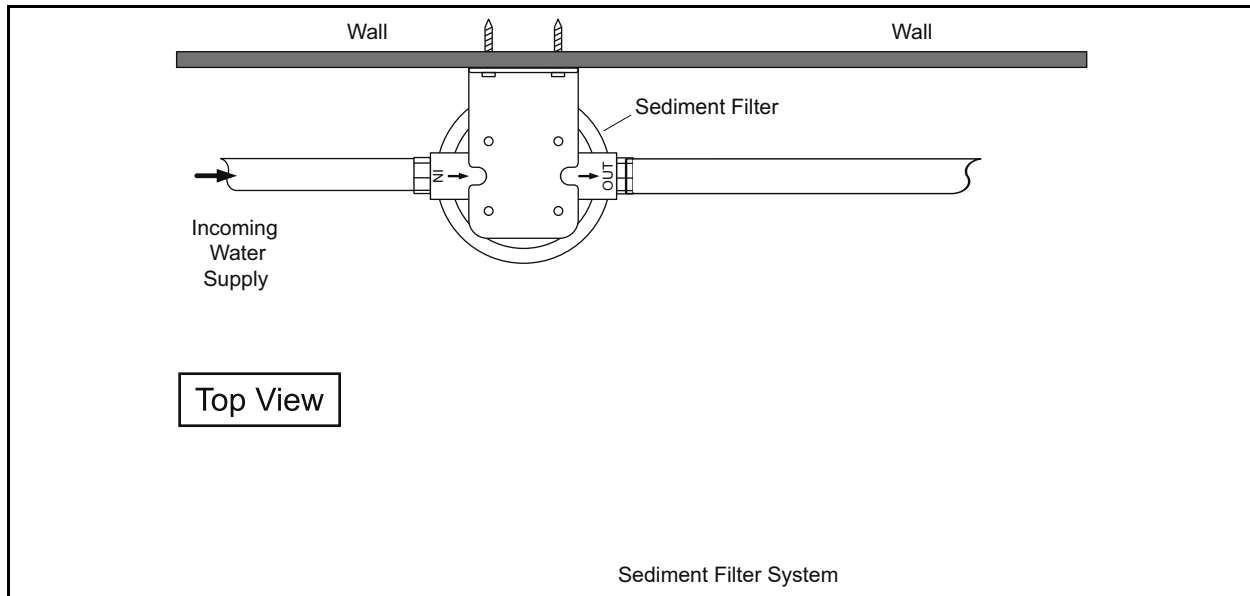
Table 1: Parts List

Part	Description	Qty.
	<p>Sediment Filter System: Blue Sediment Filter Housing, Mounting Bracket, Phillips Head Screws (4), Bolt Head Screws (4), and Washers (4)</p>	1
	<p>Sediment Filter 5 Micron Poly-Spun Sediment Filter</p>	1
	<p>Sediment Filter Wrench</p>	1

Note: Drawings are not to scale.

Additional fittings will be needed to adapt to your plumbing.

Installation Overview



Installation

Sediment Filter Assembly

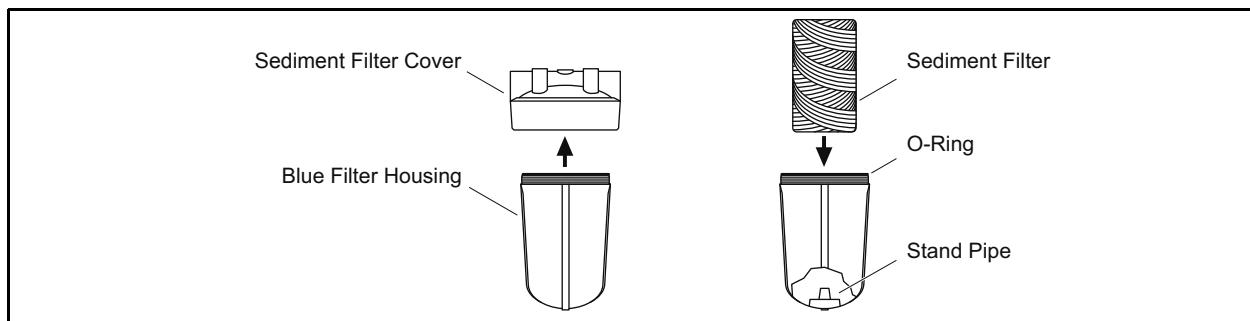


Figure 3

1. Unscrew the cover from the Blue Filter Housing.
2. Remove the plastic covering from the Sediment Filter.
3. Place the Sediment Filter onto the Stand Pipe in the Blue Filter Housing and set aside.

Sediment Filter Installation

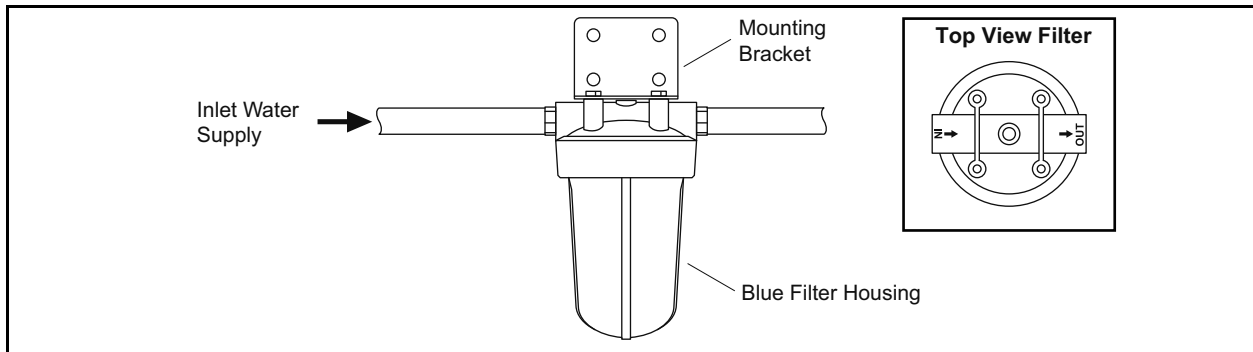


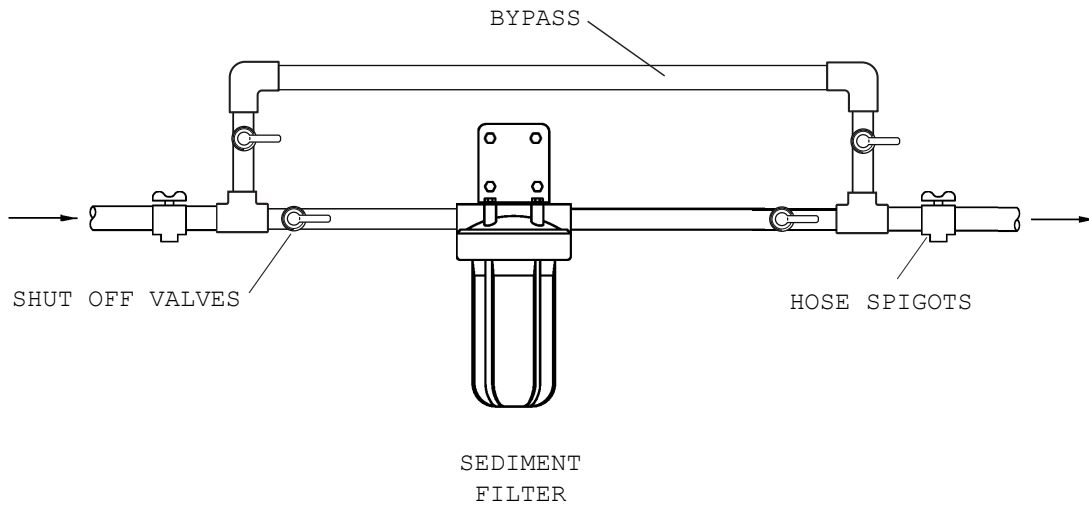
Figure 4

1. Shut off the water.
2. Attach the Filter Cover to the Mounting Bracket using the supplied Bolt Head Screws and Washers. Make sure to properly orientate the IN and OUT to match your flow pattern.
3. Attach the Mounting Bracket to the wall using the supplied Phillips Head Screws.
4. Hand tighten the Blue Filter Housing and then using the supplied Filter Wrench lightly snug the housing making sure not to over-tighten. (counter clockwise).
5. Determine the size of your inlet water supply line.



Notice:

The Sediment Filter Housing comes with a 1" threaded female inlet/outlet and will require additional fittings to adapt to your plumbing. A shut-off valve is recommended prior to the Sediment Filter System.



Pelican
Water Systems

3060 PERFORMANCE CR
SUITE 2
DELAND, FL 32724
1-877-842-1635
www.pelicanwater.com

DO NOT SCALE DRAWING

THIS DRAWING IS ISSUED IN CONFIDENCE AND
CANNOT BE REPRODUCED OR USED TO
MANUFACTURE ANYTHING SHOWN OR REFERRED
TO WITHOUT DIRECT WRITTEN PERMISSION FROM
PELICAN WATER SYSTEMS.

CONNECTION SIZE: 1"
MAX PRESSURE OPERATING: 80 PSI
MAX TEMPERATURE: 120°

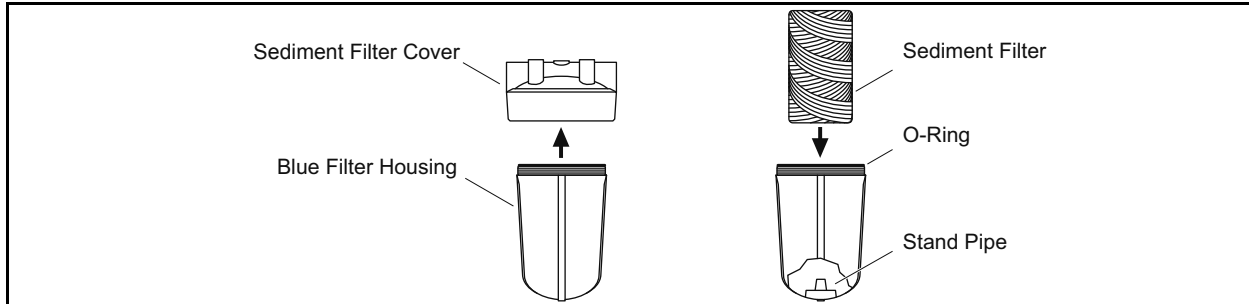
Sediment Filter

Maintenance

Sediment Filter

It is recommended that the Sediment Filter be replaced every 6-9 months depending on the amount of sediment present in the water supply. If the system has been working properly and the pressure is slowing, it may be time to change the Sediment Filter. Check the Sediment Filter and replace if necessary.

Replacing the Sediment Filter



1. Turn off the main water supply to the Sediment Filter System and bypass all tanks.
2. Run a faucet (cold water) inside the house to relieve the pressure. (Leave faucet open)
3. Unscrew the Blue Filter Housing clockwise using the supplied Filter Wrench.
4. Remove the existing Sediment Filter and discard.
5. Remove the O-Ring and wipe the groove clean. Lubricate a new O-Ring with a coating of clean silicone grease. Replace O-Ring and press the O-Ring down into the groove with two fingers.
Note: This step is important to ensure the proper filter seal. Make sure the O-Ring is seated level in the groove. If the O-Ring appears damaged, stretched, or crimped it should be replaced.
6. Place a new Sediment Filter onto the Stand Pipe in the Blue Filter Housing.
7. Screw the Blue Filter Housing onto the Filter Cover hand tight. Lightly snug the housing with the spanner wrench making sure not to over-tighten.
8. Turn on main water supply slowly to allow the Sediment Filter System to fill with water and expel air from lines. Put tanks back in service, out of bypass.
9. Check for leaks.