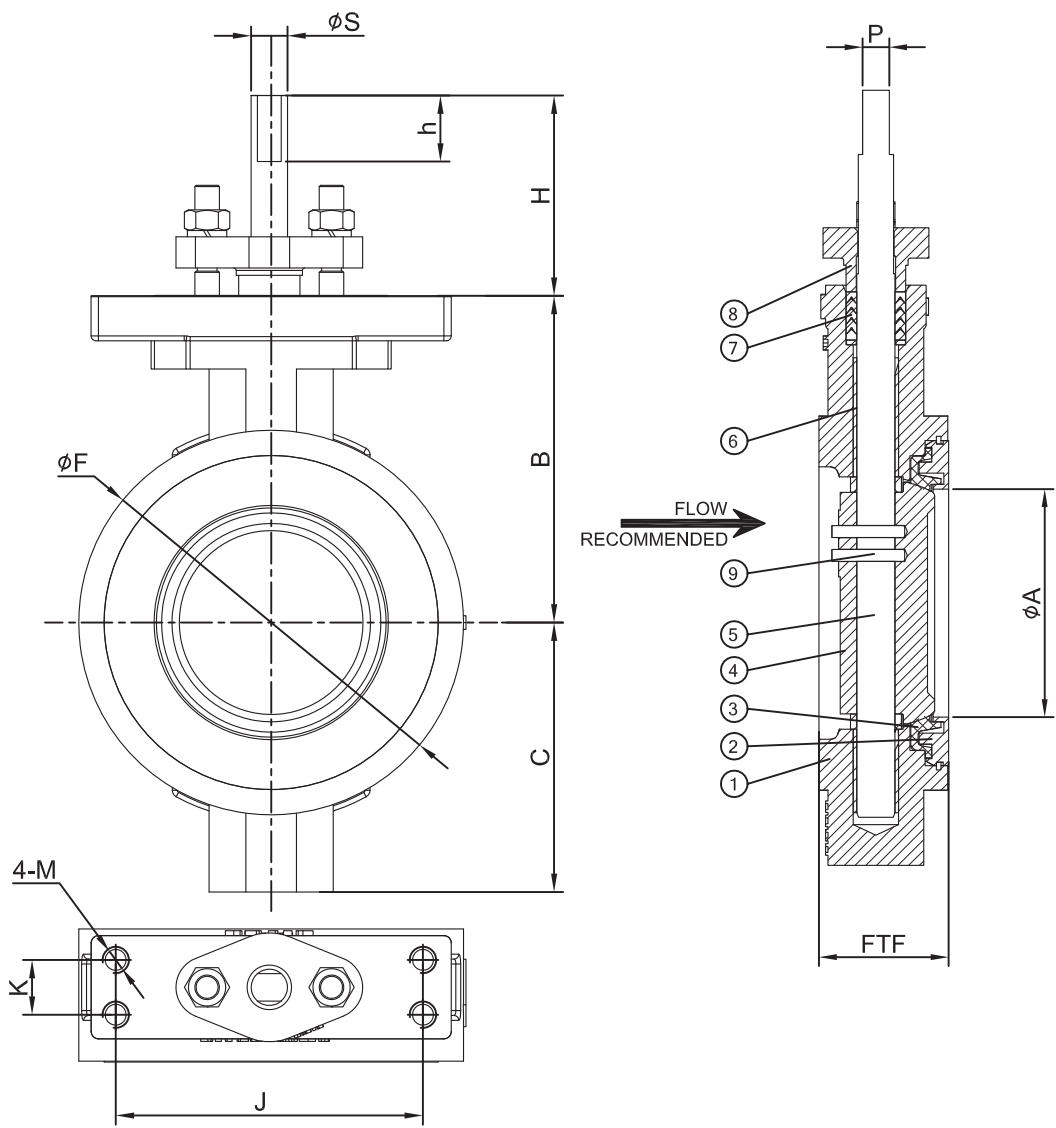


Place a tick in the appropriate box which material you require
Other materials tick the "other" column and remark.

No	Partname	<input type="checkbox"/> A	<input type="checkbox"/> B	<input type="checkbox"/> C	<input type="checkbox"/> D	<input type="checkbox"/> E	<input type="checkbox"/> Other
9	Pin	17-4PH	17-4PH	17-4PH	17-4PH	17-4PH	
8	Cover	WCB	WCB	CF8	CF8M	CF3M	
7	Packing	RPTFE	RPTFE	RPTFE	RPTFE	RPTFE	
6	Sleeve	316L+RPTFE					
5	Stem	17-4PH	17-4PH	17-4PH	17-4PH	17-4PH	
4	Disc	CF8	CF8M	CF8	CF8M	CF3M	
3	Seat	RPTFE	RPTFE	RPTFE	RPTFE	RPTFE	
2	Insert	A105	A105	F304	F316	F316L	
1	Body	WCB	WCB	CF8	CF8M	CF3M	

Data		Technology standard	
Pressure	Class 150	Design & manufacturing standards	API609
Size	1.5" ~ 14"	Temperature & pressure standards	ASME B16.34
Type	Wafer	Inspection & test	API598
Temperature	-30°C ~ 180°C	Flange size	ASME B16.5/B16.47A
Leakage	VI FCI70-2	Note:	

NPS	φA	B	C	φF	FTF±3.3	H	h	P	φS	J	K	M
1 1/2"	38	82	70	96	44	42.5	14	7	10	125.4	22.4	M10
2"	50	82	70	102	44	42.5	14	7	10	125.4	22.4	M10
2.5"	59	111	82	118	48	82	27	11.2	14.8	125.4	22.4	M10
3"	73	120	93	132	48	82	27	11.2	14.8	125.4	22.4	M10
4"	96	133	110	157	54	82	27	11.2	14.8	125.4	22.4	M10
5"	111	135	120	186	57	82	27	11.2	14.8	125.4	22.4	M10
6"	142	152	135	217	57	82	27	14	18	125.4	22.4	M10
8"	188	187	172	273	64	82	27	15.9	21.9	125.4	22.4	M10
10"	236	231	202	328	71	97	28	20.6	28	142.7	37.3	M12
12"	282	260	241	376	81	97	33	23.8	33.3	142.7	37.3	M12
14"	314	315	295	413	92	105	41	28.7	37	142.7	37.3	M16



die erste® DIE ERSTE INDUSTRY CO., LTD,
TAICHANG, TAIWAN

DRAWN BY:
Michelle
2023-03-29

REVIEW BY:

APPROVAL:

TITLE: Wafer HP Bfly valve CF8M,
RPTFE, Class 150,
1-1/2"~14"

DWG. NO.

REV: 1.0

UNIT: mm
DO NOT SCALE

Sheet: 1 of 1