



This Watts® jumbo commercial quality filter housing is designed to accept 40 inch jumbo cartridges for easy installation and replacements. It is ideal for convenience and savings. This durable filter housing is constructed of rugged, glass reinforced polypropylene with brass reinforced gauge port so they won't chip, rust or dent. This housing comes with band clamp lid closure, mounting legs, 2 inch MNPT pipe size fittings with pressure gauges installed on inlet and outlet fittings and a compression cap for superior sealing. It is rated for pressures up to 150 psi.

#### Features

- Will not rust
- Built with two outlets for flexibility
- Ideal for whole house water treatment and commercial filtration
- Filter housing is made of glass reinforced polypropylene



Watts® Big Bubba® filter cartridges and housings are an ideal choice for the reduction of sediment, chlorine, and other contaminants in water. They are suitable for residential and commercial applications with peak flow rates up to 150 gpm (567 lpm) for sediment reduction and peak flow rates up to 15 gpm (56 lpm) for chlorine reduction. If higher flow rates are required, multiple housings can be installed in parallel. Watts Big Bubba advantages: • No corrosion • More economical than steel • No backwashing/no wasted water • No electricity • Light weight • Simple operation • High flow and capacity Four types of filter cartridges are offered: Pleated - Sediment Reduction Melt Blown - Sediment Reduction Pleated Activated Carbon - Chlorine Taste & Odor Reduction Activated Carbon Block - Lead/PFOA & PFOA/Cysts/Chlorine Taste & Odor Reduction Applications for Big Bubba filter cartridges and housings include whole home, commercial and industrial, municipal, agriculture, aquariums, hotel, hospital, car wash, metal finishing and plating, food and beverage and much more.

## Standards Filter Housing- Certified to NSF/ANSI 61

Watts product specifications in U.S. customary units and metric are approximate and are provided for reference only. For precise measurements, please contact Watts Technical Service. Watts reserves the right to change or modify product design, construction, specifications, or materials without prior notice and without incurring any obligation to make such changes and modifications on Watts products previously or subsequently sold.

#### **⚠ WARNING**

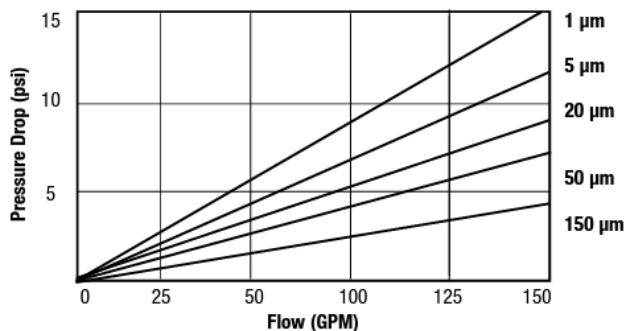
Do not use with water that is microbiologically unsafe or of unknown quality without adequate disinfection before or after the system.

Specifications	
Brand	Watts
Buy American Act Compliant	NO
EAN	098268564877
Housing Material	Polypropylene
Inlet Connection Size	2 IN
Lead Free	YES
Lid Closure Type	Swing Bolt
Maximum Flow Rate-GPM	125.00
Maximum Pressure-PSI	125
Maximum Temperature-Fahrenheit	125
Minimum Temperature-Fahrenheit	40
Number Of Cartridges	1
Outlet Connection Size	2 IN
Part Number	7100301
Pressure Relief	Yes
Micron	5



### Low Pressure Drop

Big Bubba cartridge filter systems are designed to minimize pressure drop, by using 2" pipe fittings and large diameter center tubes. (See chart below for pressure drop data using pleated cartridges.)



Pleated Sediment Filter Cartridge Flow Rate

### Parallel Installation

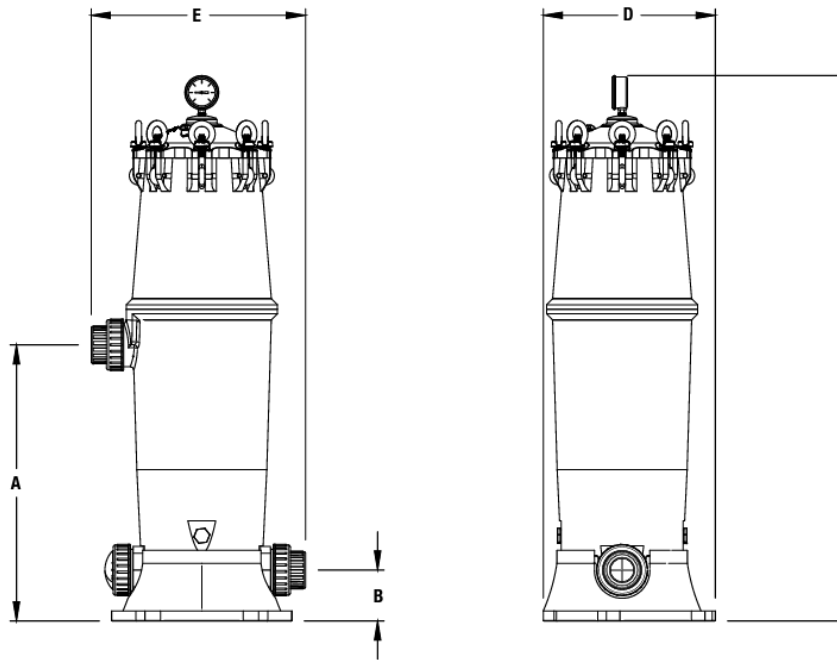
Parallel installations are recommended to achieve high flow rates, by installing filters on a common manifold, feeding all filters installed in a row.



### Series Installation

Series installations are recommended for applications such as surface water filtration, where cartridges having different micron ratings are used.





MODEL NO.	DIMENSIONS										WEIGHTS	
	A		B		C*		D		E		lbs	kgs
	in.	mm	in.	mm	in.	mm	in.	mm	in.	mm		
PWWJCHSG	21½	549	4	102	42¾	1082	13½	343	16¾	426	39	18

\*Allow 36" of space above filter housing lid to facilitate filter cartridge replacement.

## Specifications

### Big Bubba Cartridge Filter Housing

HOUSING	DATA
Body	Glass reinforced PP
Gauge port	¼" FNPT brass reinforced
Swing bolts	304 stainless steel
O-ring (lid)	EPDM
Inlet/Outlet Connections	2" slip PVC female
Overall height	42.7"
Width (vessel OD)	15.4"
Maximum temperature	125°F (52°C) @ 80 PSI
Maximum working pressure	125psi (8.6 bar)

### Big Bubba Filter Cartridges

CARTRIDGE	DATA
Max. flow rate* (Pleated)	150 GPM* (34 M3/hr.)
Max. flow rate (Melt Blown)	100 GPM (22.7 M3/hr.)
Max. flow rate (Activated Carbon Pleated)	15 GPM (3.4 M3/hr.)
Max. flow rate (Activated Carbon Block)	4 GPM (0.9 M3/hr.)
Cartridge end caps	Glass reinforced PP
O-rings (cartridge)	EPDM

\* Highly dependent on micron rating, solids content and other factors. Please see pressure drop chart below.

For filter material of construction, see Big Bubba Specifications chart below.

## Specifications

### Big Bubba Filter Cartridges

CARTRIDGE	PLEATED	MELT BLOWN	ACTIVATED CARBON PLEATED	ACTIVATED CARBON BLOCK
Media	PP*, PP Mesh**	PP	Pleated Activated Carbon	Activated Carbon Block
End caps	PP + FG	PP + FG	PP + FG	PP + FG
Center tubes	PP	PP	PP	NA
Maximum flow rate (GPM)	150	100	15	4
Maximum temperature	125°F (52°C)	125°F (52°C)	125°F (52°C)	125°F (52°C)
Maximum ΔP (psi)	30	40	30	40
Chemical resistance	Excellent	Excellent	Not a factor (for water only)	Not a factor (for water only)
Length (media)	26¼"	26¼"	26¼"	26¼"
O-rings (dual)	EPDM	EPDM	EPDM	EPDM
Shipping weight (lbs.)	5	5	5	20
Carton dimensions	7" x 7" x 31"	7" x 7" x 31"	7" x 7" x 31"	10.75" x 10.75" x 35"
Micron ratings	1* & 5*, 20*, 50*, 150**	1, 5, 20, 50	5	0.5

\*Polypropylene fabric

\*\*Polypropylene mesh screen

**Note:** Flow rates are based on each specific application, micron rating, solids content and a number of other factors. End user should consider these factors when selecting the filter housing (or number of filter housings) needed for their particular requirement.

## Ordering Information

### Filter Housings

MODEL NO.	ORDERING CODE	DESCRIPTION	PIPE SIZE	SPACE REQUIRED W X D X H	WEIGHT	
					LBS	KGS
PWWJCHSG	7100301	Big Bubba Filter Housing 2" with Gauge Port Lid and Pressure Gauge	2"	20" x 20" x 45"	39	18



Pleated



Melt Blown



Activated  
Carbon  
Pleated



Activated  
Carbon  
Block

### Four Filter Cartridge Types

#### Pleated Cartridges

Ideal for more critical applications, offering greater efficiency and more surface area for greater throughput and reduced cost.

#### Melt Blown Cartridges

Melt blown Polypropylene cartridges are recommended when depth filtration is necessary for the reduction of soft particulate.

#### Activated Carbon Pleated Cartridge

Activated carbon reduces chlorine tastes, odors and sediment. Ideal for whole home treatment to 15 GPM offering 140,000 gallon capacity.

#### Activated Carbon Block Cartridge

Big Bubba Carbon Block Filter Cartridge for the Reduction of Lead, PFOS/PFOA, Cysts, and Chlorine Taste & Odor is ideal for whole home point of entry applications.

### Filter Cartridges

MODEL NO.	ORDERING CODE	MEDIA TYPE	MICRON RATING	PER CASE	WEIGHT	
					LBS	KGS
PWWJCP1	7100303	Pleated PP	1	1	5	2.3
PWWJCP5	7100304	Pleated PP	5	1	5	2.3
PWWJCP20	7100305	Pleated PP	20	1	5	2.3
PWWJCP50	7100306	Pleated PP	50	1	5	2.3
PWWJCM150	7100307	Pleated PP Mesh	150	1	5	2.3
PWWJCMB1	7100308	Melt Blown PP	1	1	5	2.3
PWWJCMB5	7100309	Melt Blown PP	5	1	5	2.3
PWWJCMB20	7100310	Melt Blown PP	20	1	5	2.3
PWWJCMB50	7100311	Melt Blown PP	50	1	5	2.3
PWWJCAC5	7100312	Carbon Pleated	5	1	5	2.3
BB-C100	7100980	Carbon Block	0.5	1	20	9

Note: 5, 20, 50 and 150 micron pleated cartridges are cleanable and reusable to reduce costs.

MODEL NO.	ORDERING CODE	MAX. FLOW RATE	MAX CAPACITY	MAX. CHLORINE REDUCTION
PWWJCAC5	7100312	15 GPM	140,000 Gals.	90%

Note: Maximum flow rate, capacity and chlorine reduction values listed above are estimates based on Watts' internal testing. Due to variances in feedwater quality and application variables, your results may differ.

MODEL NO.	ORDERING CODE	MAX. FLOW RATE	MAX CAPACITY	CONTAMINANTS REDUCED
BB-C100	7100980	4 GPM	84,480 Gals.	Lead, PFOS/PFOA, Cysts, Chlorine

Note: Using filter cartridge model number BB-C100 within an existing installed Big Bubba filter housing model number PWWJCHSG, to achieve the reductions and capacities stated above, requires the purchase of Volumetric Flow Monitor model number BB-M100. The BB-C100 Filter Cartridge, together with BB-M100 Volumetric Flow Monitor and PWWJCHSG Filter Housing, is certified for the reduction of Lead, PFOS/PFOA, Cysts, and Chlorine Taste & Odors. For new installations purchase Model BB-S100 System which includes PWWJCHSG, BB-C100 and BB-M100. See Watts Engineering Specification Sheet # ES-WQ-BB-S100 for additional BB-S100 system performance information.