

SIZE	DN	L	Between Flange	ISO 5211 PAD NO.	φD1	φD2	n-φd	TXT	h	Torque N•M	Weight
2"	50	42	150LB/125LB/PN16/PN10	F05	φ90	φ50	4-φ8	9X9	30	17	2.5 KG
2 1/2"	65	44.7	150LB/125LB/PN16/PN10	F05	φ90	φ50	4-φ8	9X9	30	25	2.7 KG
3"	80	45.2	150LB/125LB/PN16/PN10	F05	φ90	φ50	4-φ8	9X9	30	38	3.5 KG
4"	100	52.1	150LB/125LB/PN16/PN10	F07	φ90	φ70	4-φ10	11X11	30	56	4.4 KG
5"	125	54.4	150LB/125LB/PN16/PN10	F07	φ90	φ70	4-φ10	14X14	30	90	6.1 KG
6"	150	55.8	150LB/125LB/PN16/PN10	F07	φ90	φ70	4-φ10	14X14	30	124	7 KG
8"	200	60.6	150LB/125LB/PN16/PN10	F10	φ125	φ102	4-φ12	17X17	40	233	15 KG
10"	250	65.6	150LB/125LB/PN16/PN10	F10	φ125	φ102	4-φ12	22X22	45	392	21 KG
12"	300	76.9	150LB/125LB/PN16/PN10	F10	φ125	φ102	4-φ12	22X22	45	560	28 KG
14"	350	76.2	150LB/125LB/PN16/PN10	F10	φ125	φ102	4-φ12	22X22	45	736	41 KG
16"	400	85.7	150LB/125LB/PN16/PN10	F14	φ175	φ140	4-φ14	27X27	45	1011	65 KG

* 1. The torque without Safety factor.
 * 2. Safety factor of 1.3 is recommended.

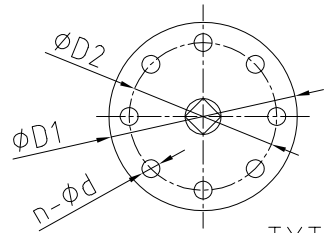
7	O-Ring	BUNA		
6	Short Bushing	PTFE	2	
5	Seat	BUNA	1	
4	Disc	A351 CF8M	1	
3	Stem	A276 SS416	1	
2	Long Bushing	PTFE	2	
1	Body	Ductile Iron ASTM A536 +Epoxy	1	
NO.	NAME	MATERIAL	QTY	REMARK
TEST PRESSURE	CWP:16Bar	SHELL		SEAL
	HYDROSTATIC	24 bar		17.6 bar
	AIR	6 bar		6 bar
STANDARD	DESIGN CODE	API 609		
	INSPECTION & TEST	API 598		
	END STANDARD	ASME 150LB, 125LB / DIN PN16, PN10		
	FACE TO FACE	API 609		
	WORKING TEMPERATURE	-29C° ~ +80C°		

TITLE: CONCENTRIC BUTTERFLY VALVE SQUARE BARE SHAFT NPS 2"~16" - 150LB/125LB/PN16/PN10 - WAFER - DI/SS316/BUNA				
APPROVED		DWG NO.		REV
CHECKED				
DRAWN				
DESIGNED		SCALE		UNIT mm

AISI 150LB, 125LB/DIN PN16, PN10

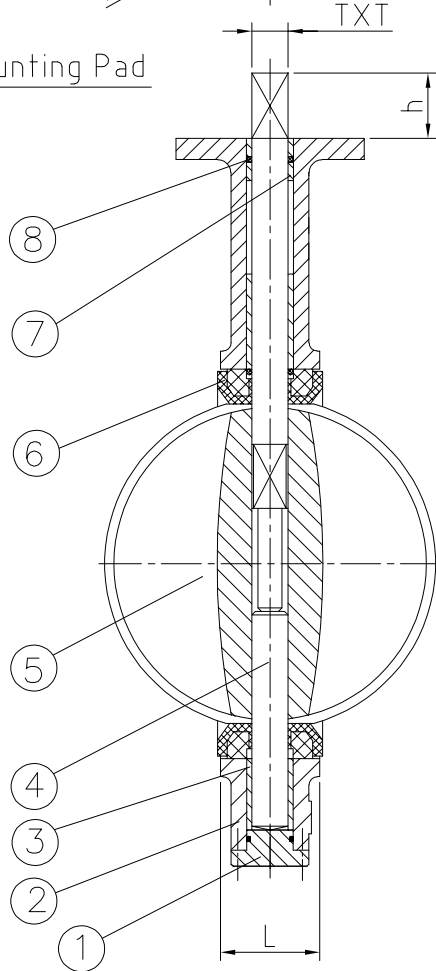
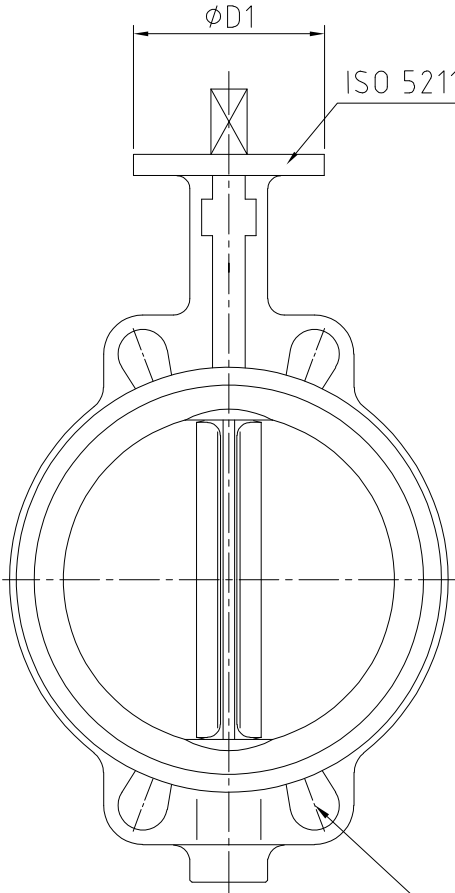
1	Nondestructive Testing		
1.1	Pressure Test	Mandatory	Yes
1.2	Chemical composition certification	Mandatory	Yes
1.3	Penetrant Test	All Body Surface	Yes
1.4	Magnetic particle testing	All Body Surface	Yes





SIZE	DN	L	Between Flange	ISO 5211 PAD NO.	$\phi D1$	$\phi D2$	$n-\phi d$	TXT	h	Torque N*M	Weight
18"	450	104.6	150LB/125LB/PN16/PN10	F14	$\phi 175$	$\phi 140$	4- $\phi 14$	27X27	50	1355	90 KG
20"	500	130.23	150LB/125LB/PN16/PN10	F14	$\phi 175$	$\phi 140$	4- $\phi 14$	36X36	50	1807	115 KG
24"	600	151.36	150LB/125LB/PN16/PN10	F16	$\phi 210$	$\phi 165$	4- $\phi 22$	36X36	50	2825	140 KG

- * 1. The torque without Safety factor.
- * 2. Safety factor of 1.3 is recommended.



AISI 150LB,125LB/DIN PN16,PN10

1	Nondestructive Testing		
1.1	Pressure Test	Mandatory	Yes
1.2	Chemical composition certification	Mandatory	Yes
1.3	Penetrant Test	All Body Surface	Yes
1.4	Magnetic particle testing	All Body Surface	Yes

8	O-Ring	BUNA		
7	Short Bushing	PTFE	2	
6	Seat	BUNA	1	
5	Disc	A351 CF8M	1	
4	Stem	A276 SS416	1	
3	Long Bushing	PTFE	2	
2	Body	Ductile Iron ASTM A536 +Epoxy	1	
1	Bottom Cover	Ductile Iron ASTM A536 +Epoxy	1	
NO.	NAME	MATERIAL	QTY	REMARK
TEST PRESSURE	CWP:16Bar	SHELL		SEAL
	HYDROSTATIC	15 bar		11.0 bar
	AIR	6 bar		6 bar
STANDARD	DESIGN CODE	API 609		
	INSPECTION & TEST	API 598		
	END STANDARD	ASME 150LB, 125LB / DIN PN16, PN10		
	FACE TO FACE	API 609		
	WORKING TEMPERATURE	-29C° ~ +80C°		

TITLE: CONCENTRIC BUTTERFLY VALVE SQUARE BARE SHAFT NPS 18"~24" - 150LB/125LB/PN16/PN10 - WAFER - DI/SS316/BUNA				
APPROVED		DWG NO.		REV
CHECKED				
DRAWN				
DESIGNED		SCALE		UNIT mm

