



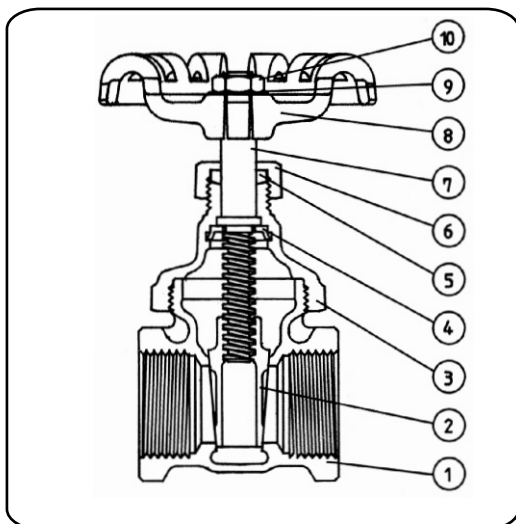
Fig. 601

## Válvula-gaveta Haste não-ascendente

Gate valve  
Non rising stem  
Válvula de compuerta  
Vástago no ascendente

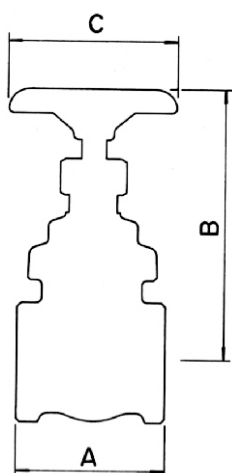
\*Tampa roscada externamente - extremidades com roscas BSP ou NPT  
\*Screwed bonnet - threaded ends - BSP or NPT  
\*Bonete roscado internamente - extremos roscados BSP o NPT

Construção de acordo com a NBR 10072 / NBR 14580 / NBR 15055  
Construction in accordance with NBR 10072 / NBR 14580 / NBR 15055  
Construcción de acuerdo con NBR 10072 / NBR 14580 / NBR 15055



Condições de trabalho Working conditions Condiciones de trabajo		
Vapor saturado Saturated steam Vapor saturado	125 PSI (9 BAR)	<b>Sem choque Non shock Sin choque</b>
Água, óleo Water, oil Agua, aceite	200 PSI (14 BAR)	

Pos.	Descrição Description Descripción	Materiais Materials Materiales	NBR ASTM
1	Corpo Body Cuerpo	Bronze Bronze Bronce	6314 C83600 B-62 Alloy C836
2	Cunha sólida Solid wedge Cuña sólida	Bronze Bronze Bronce	6314 C83600 B-62 Alloy C836
3	Tampa Bonnet Bonete	Bronze Bronze Bronce	6314 C83600 B-62 Alloy C836
4	Arruela de trava Lock washer Anillo de trava	Latão Brass Latón	6188 C37700 B124 Alloy C377
5	Gaxeta Packing Empaque	PTFE	—
6	Porca da gaxeta Packing nut Tuerca prensa empaque	Bronze Bronze Bronce	6314 C83600 B-62 Alloy C836
7	Haste Stem Vástago	Latão Brass Latón	6188 C 37700 B124 C 377
8	Volante Handwheel Volante	Alumínio Aluminum Aluminio	B-85 S 12 A
9	Arruela de identificação Identification plate Roldana de identificación	Alumínio Aluminum Aluminio	—
10	Porca do volante Handwheel nut Tuerca del Volante	Aço bicromatizado Dichromated steel Acero bicromatizado	—



Medidas Sizes Medidas	Peso Weight Peso	Dimensões Dimensions Dimensiones			
NPS*	DN**	Kg	A	B	C
1/4	6	0,253	40	66	50
3/8	10	0,236	44	66	50
1/2	15	0,248	45,5	69,5	50
3/4	20	0,334	50	82	60
1	25	0,520	58	98	70
1 1/4	32	0,850	65	115,5	80
1 1/2	40	1,110	67	128	80
2	50	1,800	80	156,5	90
2 1/2	65	2,670	92	184	120
3	80	4,310	102	207	130
4	100	7,733	127	272	165

\* NPS: Nominal Pipe Size  
\*\* DN: Diámetro Nominal

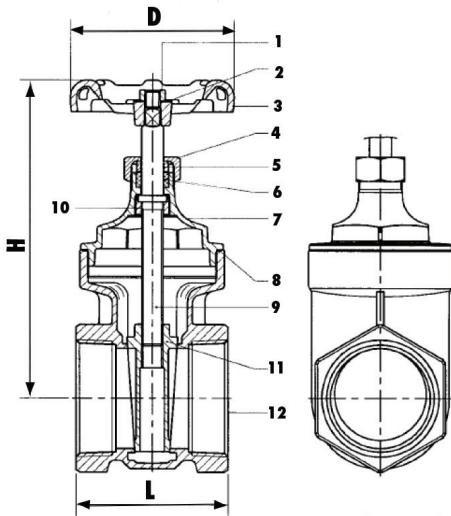
# LEAD FREE FULL PORT BRASS GATE VALVE

## MODEL LVGVLF



### FEATURES:

- Lead Free Brass
- ISO-9002
- 200WOG-125SWP
- Full Port
- Non-Rising Stem
- Threaded Bonnet
- Temp Rating 180° F
- Threaded Ends Conform to ANSI Standards 82.1
- Valves are Tested in Accordance w/MSS-SP-82
- Certified NSF/ANSI 372 by Truesdail Lab to Comply with Section 1417 of the US SOWA
- Available With Cross Handles
- Sizes 1/4" -4"
- Valve has Lead Free markings for identifications



DIMENSIONS (in)			
Size	D (IPS)	H (IPS)	L (IPS)
1/4	2.09	2.92	1.71
3/8	2.09	2.92	1.71
1/2	2.09	2.92	1.71
3/4	2.13	3.13	1.81
1	2.48	3.90	2.13
1¼	2.72	4.61	2.25
1½	3.15	5.08	2.44
2	3.53	5.99	2.70
2½	3.98	7.88	2.70
3	4.37	8.83	4.02
4	5.00	9.89	4.53

MATERIAL LIST		
NUMBER	PART	MATERIAL
1	Wheel Nut	Brass B124 C37700
2	Name Plate	Aluminum
3	Handle Wheel	Cast Iron
4	Packing Nut	Brass B16 C36000
5	Gland Ring	Brass B16 C36000
6	Gland Packing	Graphite
7	Bonnet	Brass C89550
8	Packing	FIBRE
9	Stem	Brass C89550
10	Lock Nut	Brass C89550
11	Disc	Brass C89550
12	Body	Brass C89550

PROJECT	APPROVAL STAMP
PROJECT:	<input type="checkbox"/> APPROVED
ADDRESS:	<input type="checkbox"/> APPROVED AS NOTED
ENGINEER:	<input type="checkbox"/> NOT APPROVED
SUBMITTAL DATA:	REMARKS:
NOTES 1:	
NOTES 2:	