

LANSDALE
VALVE & MANUFACTURING

www.LansdaleValve.com

POWERBALL 300 (THREADED ENDS)

MODEL LPBT

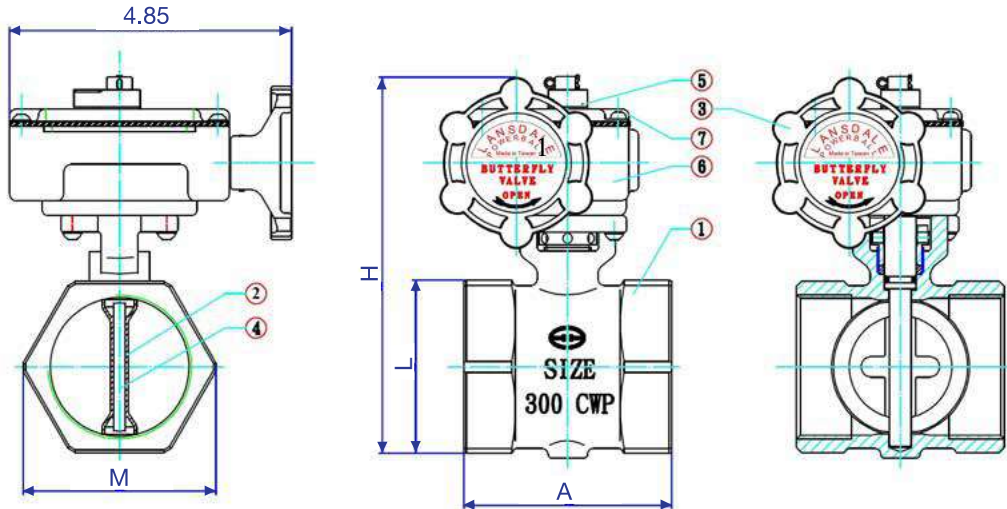


POWERBALL 300

FEATURES:

- Rated 300 psi
- UL Listed/ FM Approved
- Indoor/ Outdoor use
- Integral tamper switch
- Eliminates water hammer
- Slow open/ Slow close

LPBT (THREADED ENDS) 1" thru 2½"



MATERIAL LIST

NUMBER	NAME	MATERIAL
1	BODY	BRONZE ASTM 584 C83600
2	DISC	SS304
3	HANDWHEEL	ASTM A216 WCB
4	SEAT	ASTM D2000 VITON
5	INDICATOR	POWDER METAL FD205 95HT
6	HOUSING	BRASS ASTM B16 C36000
7	COVER	BRASS ASTM B16 C36000

MAIN DIMENSIONS (INCHES) LPBT (THREADED ENDS)

SIZE	1"	1¼"	1½"	2"	2½"
A	2.13	2.63	2.87	3.25	4.49
H	4.94	5.13	5.59	6.13	6.58
L	1.56	1.94	2.19	2.76	3.41
M	1.75	2.17	2.37	3.11	3.78

www.LansdaleValve.com

Revision: 8/2020

POWERBALL 300 (GROOVED ENDS)

MODEL LPBG

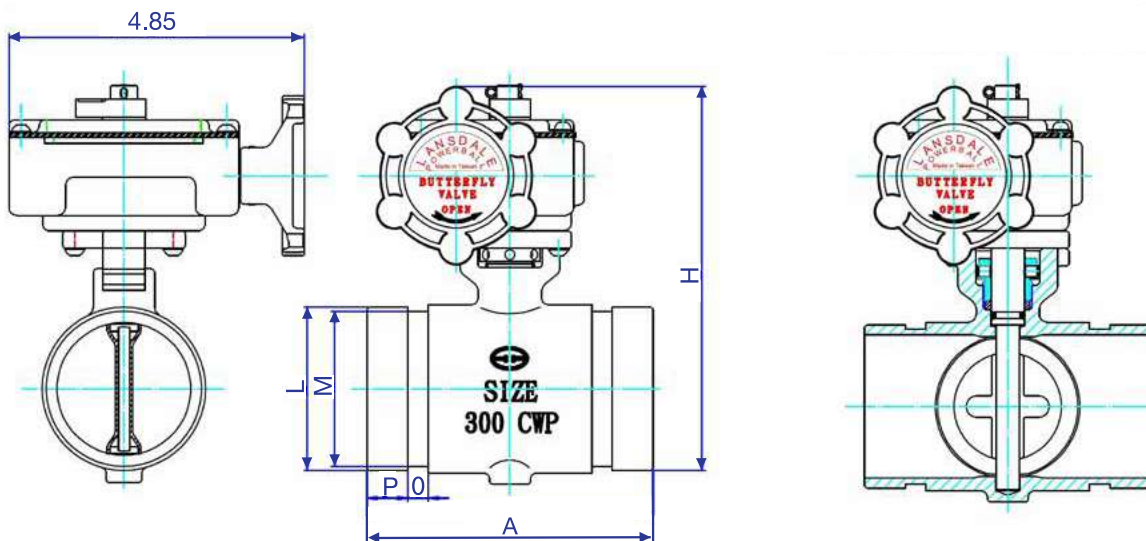


POWERBALL 300

FEATURES:

- Rated 300 psi
- UL Listed/ FM Approved
- Indoor/ Outdoor use
- Integral tamper switch
- Eliminates water hammer
- Slow open/ Slow close

LPBG (GROOVED ENDS) 1¼" thru 2½"



MATERIAL LIST		
NUMBER	NAME	MATERIAL
1	BODY	BRONZE ASTM 584 C83600
2	DISC	SS304
3	HANDWHEEL	ASTM A216 WCB
4	SEAT	ASTM D2000 VITON
5	INDICATOR	POWDER METAL FD205 95HT
6	HOUSING	BRASS ASTM B16 C36000
7	COVER	BRASS ASTM B16 C36000

MAIN DIMENSIONS (INCHES) LPBG (GROOVED ENDS)				
SIZE	1¼"	1½"	2"	2½"
A	3.86	4.02	4.09	4.49
H	5.20	5.47	6.07	6.58
P	0.63	0.63	0.63	0.63
O	0.31	0.31	0.31	0.31
M	1.54	1.78	2.25	2.72
L	1.67	1.90	2.37	2.87



IMO – REV1-510
Installation, Maintenance
& Operating Instructions

POWERBALL 300
LPBT & LPBG SERIES

1" ~ 2 1/2", THREADED
1 1/4"~2 1/2" GROOVED

FEATURES

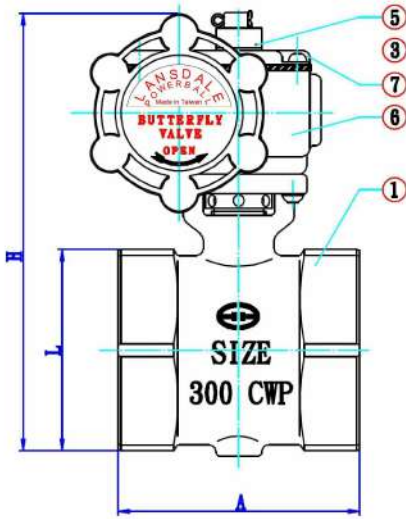
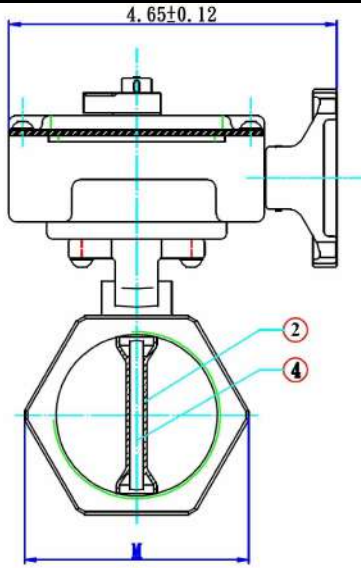
1. All sizes have been UL/FM certified and rated to 300 psi.
2. All valves have an integral pre-wired supervisory tamper switch assembly. The tamper switch signals movement of the valve disc from the full open position, when correctly wired.
3. Switch rating: 10 Amps/115 VAC-60Hz
0.5 Amps/28 VDC
4. All valves are furnished with tamper switch assemblies for indoor and outdoor use.
5. A 1/4 turn valve with slow closing and opening will prevent water hammer and shock from damaging the fire protection system.

INSTALLATION

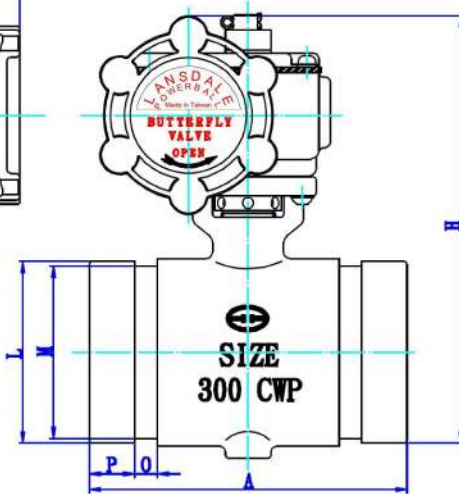
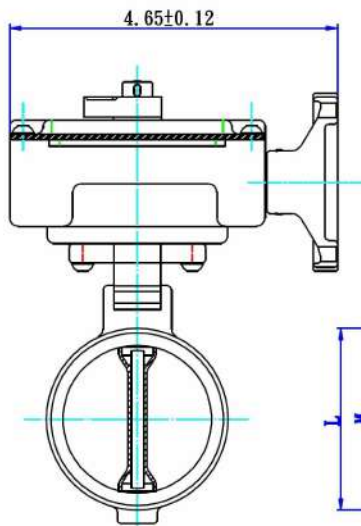
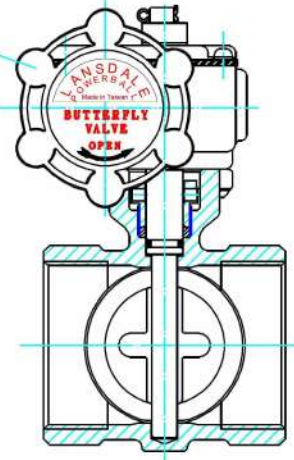
1. The valve can be installed in any orientation in a piping system with standard ASME B1.20.1 NPT or standard roll or cut grooved pipe.
2. When threading to pipe, apply adequate pipe sealants, use a wrench to clamp on the hexagon end of the valve.
3. The tamper has two switches: switch-1 has dual leads on the terminals. This switch is used for connection of the supervisory circuit of a listed fire alarm control panel. Switch 2 has a single lead and used for connection of auxiliary equipment. All the unused wires need to be capped with lead nuts and tucked into a junction box. All connections need to be reviewed and approved by the AHJ.
4. A No.14 green wire is fixed inside the switch housing. It is provided as a ground for the housing.
5. Installation must comply with NFPA 13 and NFPA 72.
6. The valves are intended for use with ANSI B36.10 Schedule 40 and/or Schedule 80 pipe, sizes 1", 1-1/4", 1-1/2", 2" and 2-1/2"

MODEL	LPBT	LPBG
TYPE	Threaded end	Grooved end
RATING	300 PSI PN20 2065KPa	300 PSI PN20 2065KPa
SIZE	1", 1-1/4", 1-1/2", 2", 2-1/2"	1-1/4", 1-1/2", 2", 2-1/2"

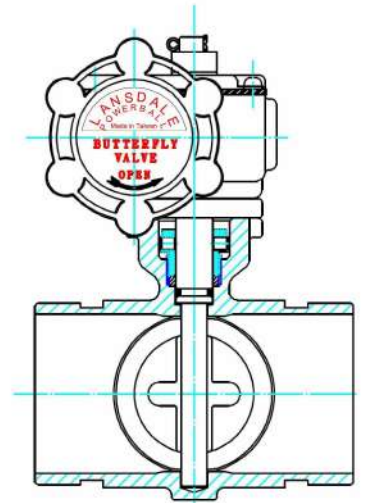
POWERBALL 300



LPBT (Threaded Ends)



LPBG (Grooved Ends)



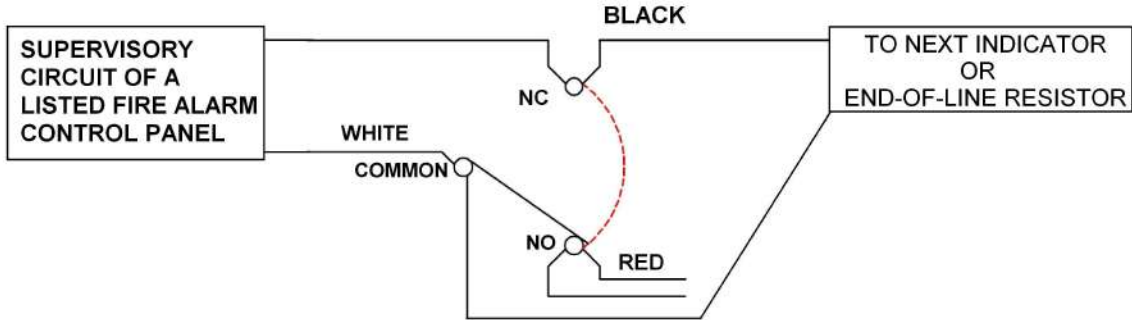
MAIN DIMENSIONS — UNIT: INCHES						MATERIAL LIST		
LPBT (Threaded Ends)						NO.	NAME	MATERIAL
SIZE	1"	1-1/4"	1-1/2"	2"	2-1/2"			
A	2.13	2.63	2.87	3.25	4.49	1	BODY	BRONZE ASTM 584 C83600
H	4.94	5.13	5.59	6.13	6.58	2	DISC	SS304
L	1.56	1.94	2.19	2.76	3.41	3	HANDWHEEL	ASTM A216 WCB
M	1.75	2.17	2.37	3.11	3.78	4	SEAT	ASTM D2000 VITON
LPBG (Grooved Ends)						5	INDICATOR	POWDER METAL FD0205 95HT
SIZE	1"	1-1/4"	1-1/2"	2"	2-1/2"	6	HOUSING	BRASS ASTM B16 C36000
A		3.86	4.02	4.09	4.49	7	COVER	BRASS ASTM B16 C36000
H		5.20	5.47	6.07	6.58	NOTE: ● Grooved ends to AWWA C606 for steel pipe. ● Packing Gland with Adjustable Glands shall be accessible for tightening stem seals without the disassembly of the valve or operator parts U.S. Patented 6629.683.B2		
P		0.63	0.63	0.63	0.63			
O		0.31	0.31	0.31	0.31			
M		1.54	1.78	2.25	2.72			
L		1.67	1.90	2.37	2.87			

POWERBALL 300

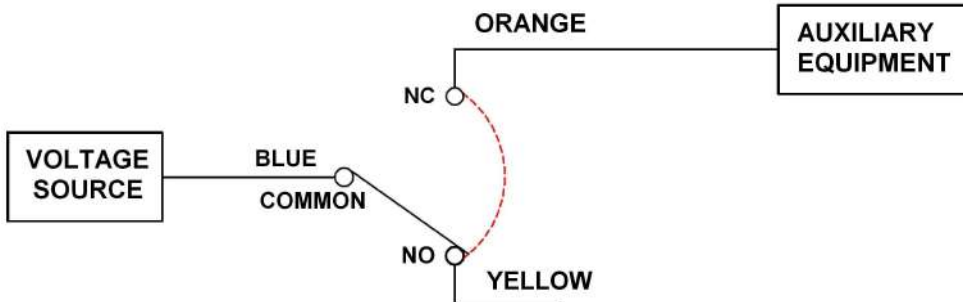
WIRING DIAGRAM

SWITCH SHOWN POSITION WITH VALVE IN FULL OPEN

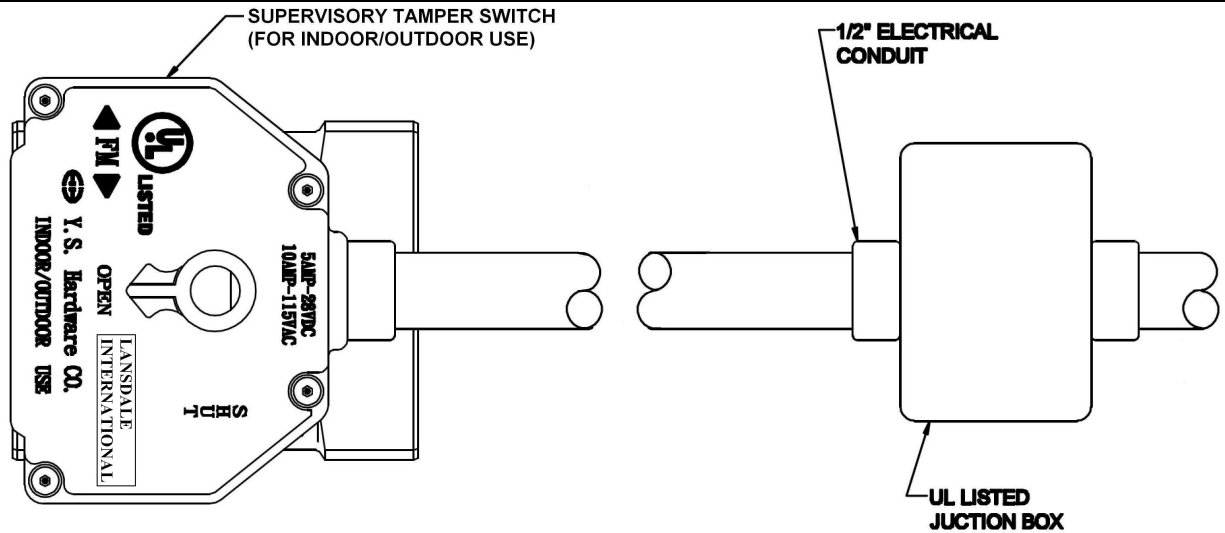
SWITCH 1 : DUAL LEADS SOLDERED TO SWITCH TABS



SWITCH 2 : SINGLE LEADS SOLDERED TO SWITCH TABS



Green wire is provided as ground for the switch housing.
Switch rating: 10 Amps/ 115 VAC-60Hz, 0.5 Amps/28 VDC



Installation must comply with NFPA 13 and NFPA 72.
Cap unused leads with wire nuts and tuck into a junction box (not provided).

Agent:

