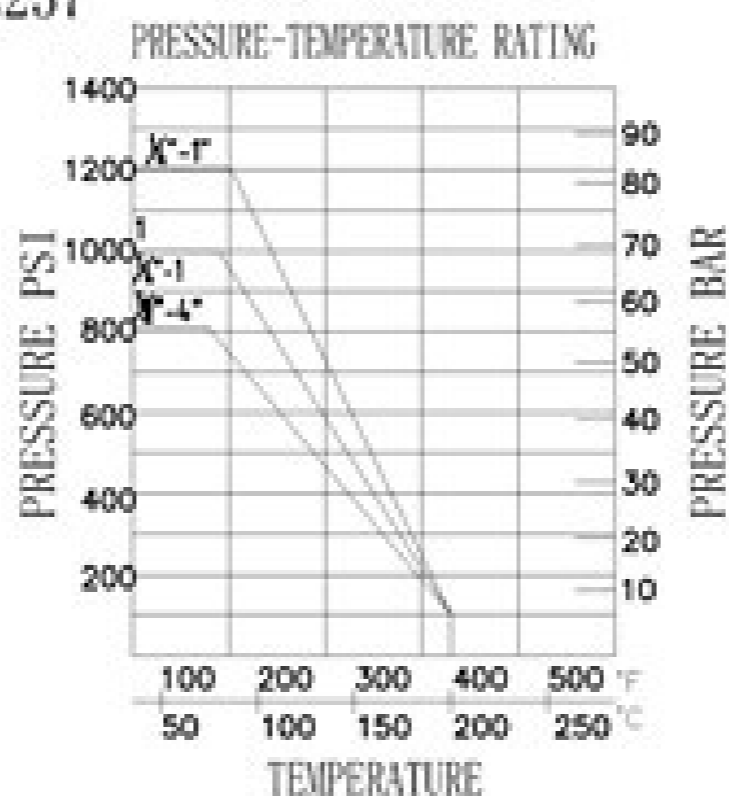


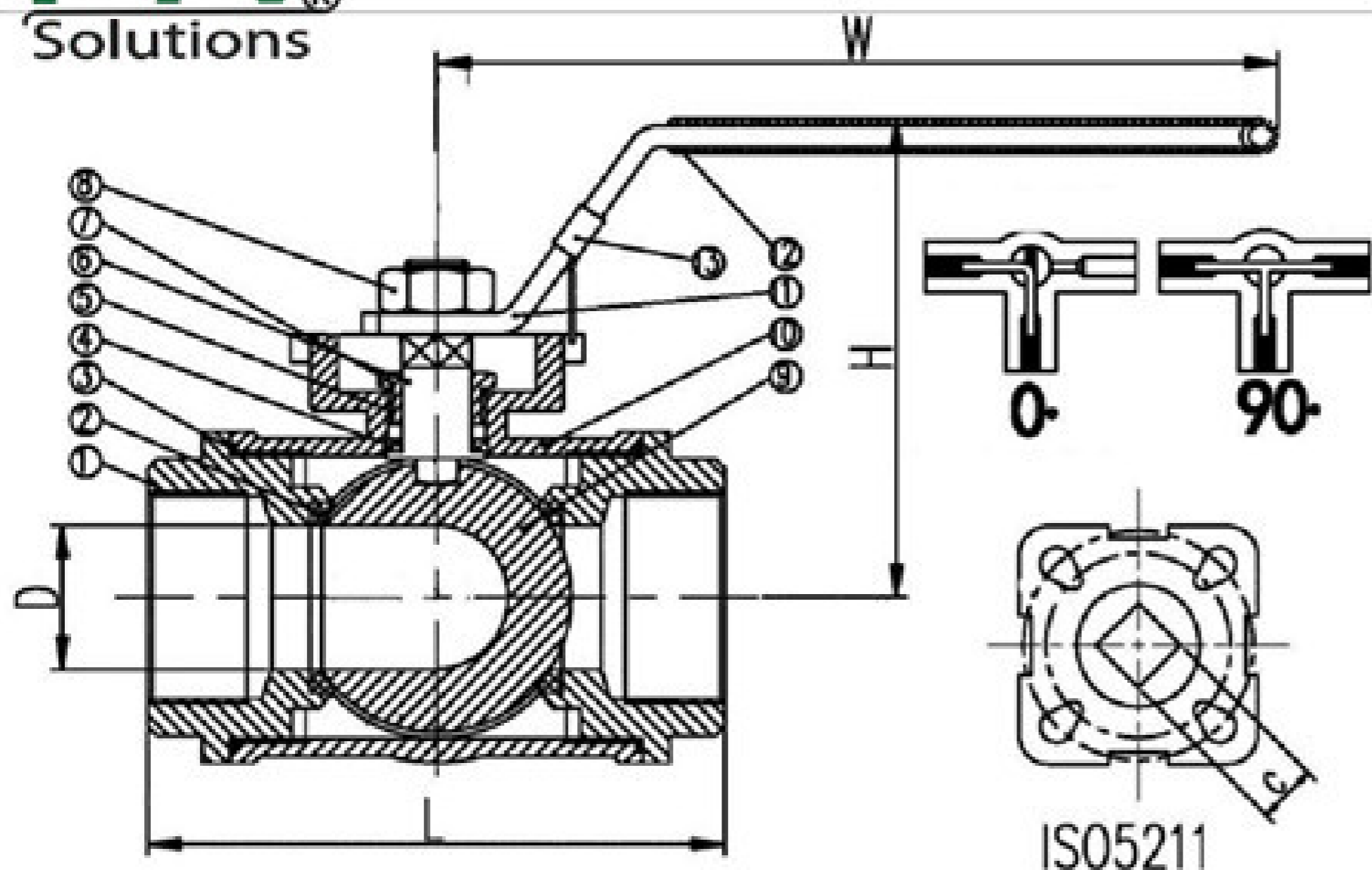
Technical Specification :

1. Design and manufacture: ASME B16.34 GB/T12237
2. Threaded ends : NPT, BSP, DIN259
3. Inspection and test : API598 JB/T9092
4. Product STYLE:Q15F-63P
5. Mounting pad:ISO 5211
6. Working Pressure:6.3Mpa
7. Temperature Range:-20°C~230°C
8. Material: ASTM-A351-CF8M, ASTM-A351-CF8

压力温度表 (PTFE)



PTV[®]
Solutions



SIZE	D	L	H	W	C	WT (kg)	
						T	L
1/4"	10.5	70	48	100	9	0.42	0.45
3/8"	10.5	70	48	100	9	0.42	0.45
1/2"	15	70	60	100	9	0.51	0.52
3/4"	20	80	64	110	9	0.67	0.68
1"	25	86	77	137	11	1	1.02
1 1/4"	32	111	78	158	11	1.77	1.9
1 1/2"	38	132	90	163	14	3.06	3.2
2"	50	145	102	172	14	4.12	4.28
2 1/2"	65	177	128	210	17	6.5	6.8
3"	80	200	135	212	17	9.5	10

MAIN PARTS AND MATERIALS

7	Gland	SS	1	14		
6	Stem	SS304/SS316	1	13	Lock	SS 1
5	Packing	PTFE	1	12	Handle Cover	PVC 1
4	Thrust Washer	PTFE	1	11	Handle	SS 1
3	Joint Gasket	PTFE	3	10	Body	CF8/CF8M 1
2	Seat	PTFE	3	9	Ball	SS304/SS316 1
1	Cap	CF8/CF8M	3	8	Nut	SS 1
NO	Part name	Material	QTY	NO	Part name	Material QTY

20 笔 踪踪 | 1 | 0
mm | 1:1

06370

名称 3 WAY Ball Valve TYPE

笔	01	01	01	01
径	mm	20		
号		02		
号		02		
号		02		

青島英利機械有限公司
QINGDAO YINGLI MACHINERY CO., LTD