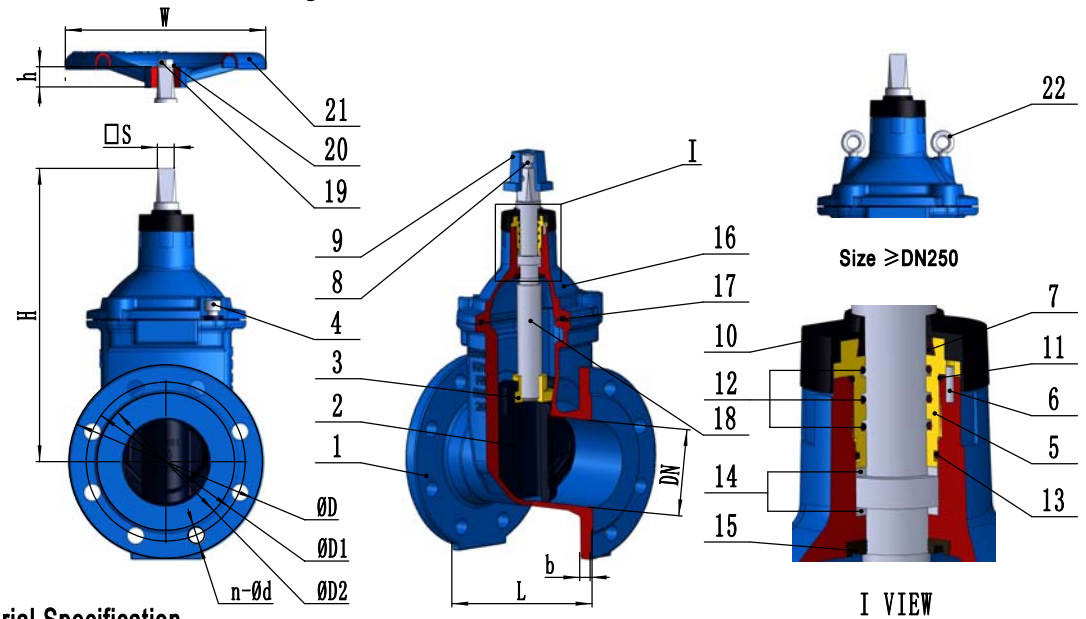


Resilient Seated Gate Valve /EN558 Series 14/15 Non-Rising Stem

Features

- Replaceable O-ring according ISO 7259
- Low torque and operation and abrasion resistance
- Wedge fully vulcanized with drinking water approved EPDM rubber
- Clockwise closing direction(CC) or Anti-clockwise closing direction(ACC)
- Fusion bonded epoxy coating EN14901(DIN 30677-2)
- Product color: Blue RAL5005 or RAL5017
- Maximum temperature 80°C
- \geq DN250 with 2 lifting lugs



Material Specification

Item	Part name	Material	Item	Part name	Material	Item	Part name	Material
1	Body	EN-GJS-500-7	9	Stem cap	EN-GJS-500-7	17	Bonnet Sealing gasket	EPDM
2	Wedge	EN-GJS-500-7/EPDM	10	Bonnet dust seal	EPDM	18	Stem	X20Cr13
3	Wedge Nut	Brass CW617N	11	O-ring	EPDM	19	Hexagon Bolt	SS304
4	Allen screw	SS304	12	O-ring	EPDM	20	Washer	SS304
5	Stuffing Nut	Brass CW617N	13	O-ring	EPDM	21	Handwheel	EN-GJS-500-7
6	Set Screw	SS304	14	Thrust washer	PTFE	22	Eyebolt	SS304
7	Dust guard	NBR	15	Bottom Lip seal	EPDM			
8	Allen screw	SS304	16	Bonnet	EN-GJS-500-7			

Technical Specifications

- Designed acc. to EN1074-2(DIN3352 F4/F5)
- Face to face: according to EN558-1(DIN3202 F4/F5)
- Flange drilling acc. to EN1092-2(ISO7005-2), PN10/16
- Hydrostatic test to EN12266-1(ISO5208)

Seat Test Pressure : 17.6bar

Shell test pressure : 24bar

Operating torque test

- Nominal working pressure PN16

Optional Extras

- Stem Cap
- Handwheel
- Extension Spindle /T key

Dimensions

Size	L		PN10						PN16						H	W	□S	h	t
	F4	F5	D	D1	D2	b	n	d	D	D1	D2	b	n	d					
40	140	240	150	110	84	16	4	19	150	110	84	16	4	19	210	180	14.3	22	10
50	150	250	165	125	99	16	4	19	165	125	99	16	4	19	223	180	14.3	22	10
65	170	270	185	145	118	16	4	19	185	145	118	16	4	19	255	220	17.3	22	12
80	180	280	200	160	132	16	8	19	200	160	132	16	8	19	272	220	17.3	22	12
100	190	300	220	180	156	16	8	19	220	180	156	16	8	19	325	220	19.3	25	12
125	200	325	250	210	184	16	8	19	250	210	184	16	8	19	368	280	19.3	25	12
150	210	350	285	240	211	16	8	23	285	240	211	16	8	23	398	280	19.3	28	12
200	230	400	340	295	266	17	8	23	340	295	266	17	12	23	495	400	24.3	28	12
250	250	450	400	350	319	19	12	23	400	355	319	19	12	23	588	500	27.3	30	14
300	270	500	455	400	370	20.5	12	23	455	410	370	20.5	12	23	677	500	27.3	30	14
350	290	550	505	460	429	20.5	16	23	520	470	429	22.5	16	23	762	600	27.3	35	14
400	310	600	565	515	480	20.5	16	28	580	525	480	24	16	23	836	600	32.3	35	14