

## API600 FLANGED END GATE VALVE Model : Class 150LB, NPS 2"~4"

### Features:

Cast steel body construction providing liberal strength to meet most conditions  
Integral yoke & bonnet; Outside screw & yoke, bolted bonnet  
Single flexible wedge disc compensates for deformation of body due to pipe stresses

### Main use:

switch pipeline control , flow direction adjustment, control medium  
The advantages of gate valve: small flow resistance, labor saving when starting and closing, water hammer phenomenon is not easy to produce, short structure length, wide application range, compact structure  
Industries used: Construction, chemical, food, water treatment, oil and gas

### Performance Standard

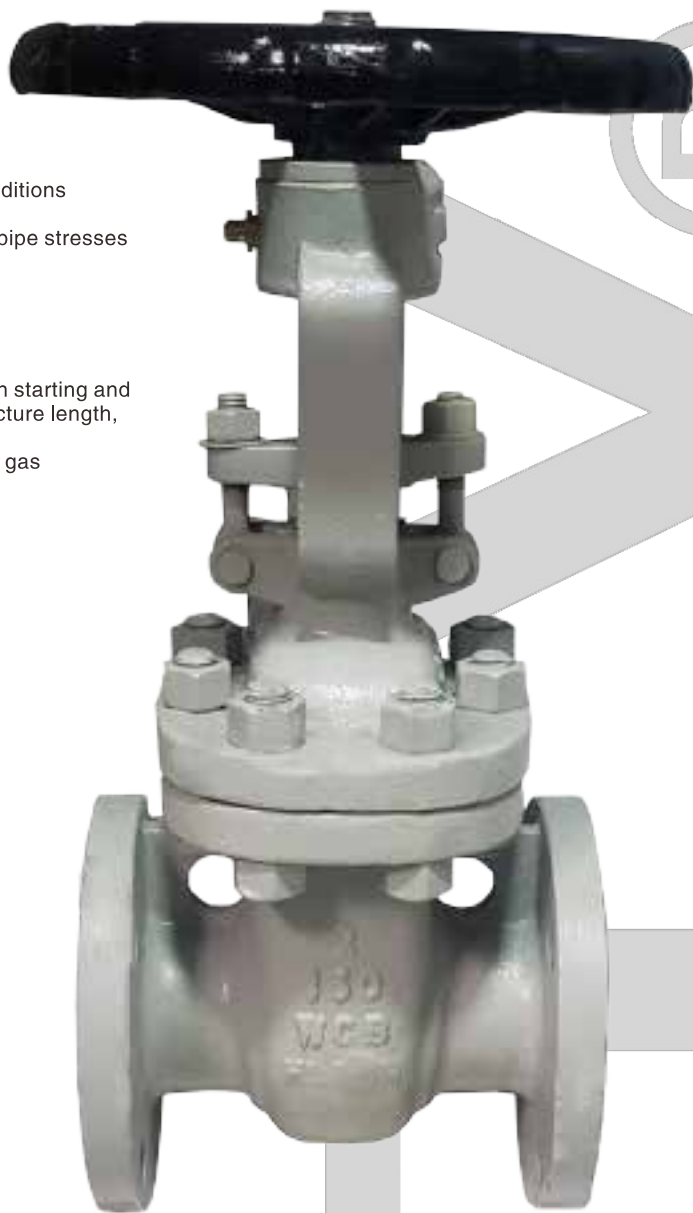
Design to ASME B16.34  
Face-to-Face/End-to-End: ASME B16.10  
Flange Dimensions: ASME B16.5  
Weld End: ASME B.16.25  
Basic Design: API 600

### Performance Specification

Nominal Pressure	Class 150Lb	Test Medium
Shell Test	(3.0MPa)	Water
Seal Test	(2.2MPa)	
Back Seal Test	(2.2MPa)	
Air Seal Test	80Lb(0.6MPa)	Air
Suitable Temperature	-29~425°C	
Suitable Media	Water/Steam/Oil	

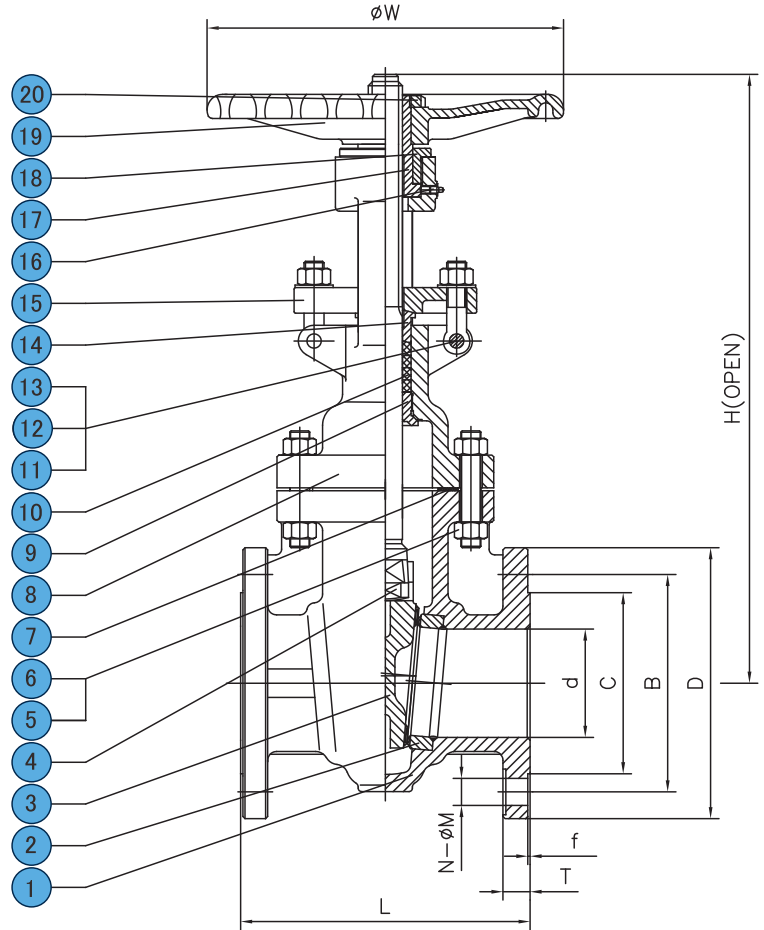
### Dimensions (mm):

SIZE		d	D	B	C	W	L	H	T	f	N	M	Weight kg
in	DN												
2"	50	51	152	120.5	92	200	178	400	16	1.6	4	19	14
2-1/2"	65	64	178	139.5	105	220	190	435	18	1.6	4	19	24
3"	80	76	190	152.5	127	250	203	515	19	1.6	4	19	31
4"	100	102	229	190.5	157	280	229	595	24	1.6	8	19	43

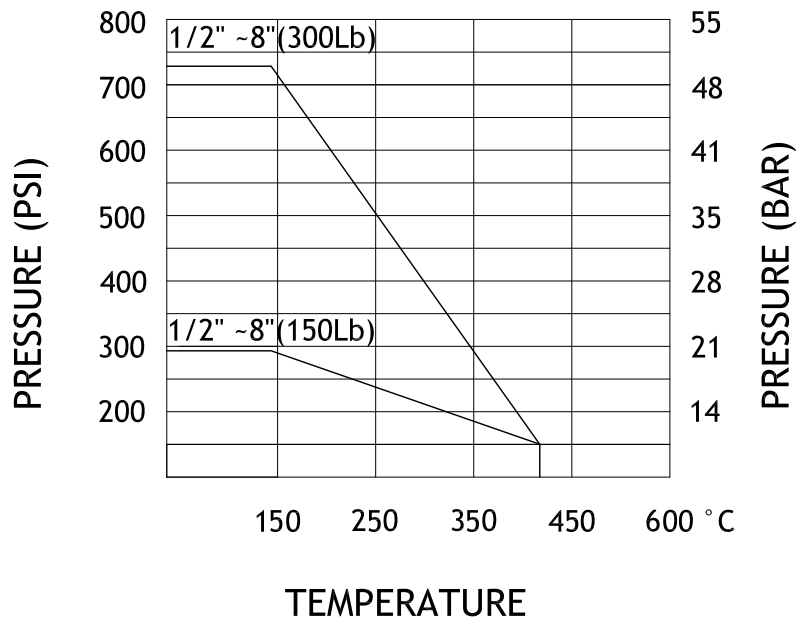


**Material List**

NO.	FART NAME	MATERIAL
1	BODY	ASTM A216 WCB
2	SEAT RING	ASTMA105 +13Cr/STL
3	WEDGE	ASTM A216 WCB +13Cr
4	STEM	ASTM A182 F6a
5	BONNET NUT	ASTM A194 2H
6	BONNET BOLT	ASTM A193 B7
7	GASKET	SS304+FLEXIBLE GRAPHITE
8	BONNET	ASTM A216 WCB
9	BACKSEAT BUSHING	ASTM A182 F6a
10	STEM PACKING	FLEXIBLE GRAPHITE
11	PIN	AISI 1025
12	GLAND EYEBOLT	ASTM A193 B7
13	GLAND NUT	ASTM A194 2H
14	GLAND	ASTM A182 F6a
15	GLAND FLANGE	ASTM A216 WCB
16	NIPPLE	COOPER ALLOY
17	STEM NUT	ASTM A439 D2
18	RETAINING NUT	AISI 1025
19	HANDWHEEL	DUCTILE IRON
20	LOCK NUT	AISI 1025



**PRESSURE-TEMPERATURE RATING**



## API600 FLANGED END GATE VALVE

**Model : Class 150 LB, NPS 5"~8"**

### Features:

Cast steel body construction providing liberal strength to meet most conditions  
Integral yoke & bonnet; Outside screw & yoke, bolted bonnet  
Single flexible wedge disc compensates for deformation of body due to pipe stresses

### Main use:

switch pipeline control , flow direction adjustment , control medium  
The advantages of gate valve: small flow resistance, labor saving when starting and closing, water hammer phenomenon is not easy to produce, short structure length, wide application range, compact structure  
Industries used: Construction, chemical, food, water treatment, oil and gas

### Performance Standard

Design to ASME B16.34  
Face-to-Face/End-to-End: ASME B16.10  
Flange Dimensions: ASME B16.5  
Weld End: ASME B.16.25  
Basic Design: API 600

### Performance Specification

Nominal Pressure	Class 150Lb	Test Medium
Shell Test	(3.0MPa)	Water
Seal Test	(2.2MPa)	
Back Seal Test	(2.2MPa)	
Air Seal Test	80Lb(0.6MPa)	Air
Suitable Temperature	-29~425°C	
Suitable Media	Water/Steam/Oil	

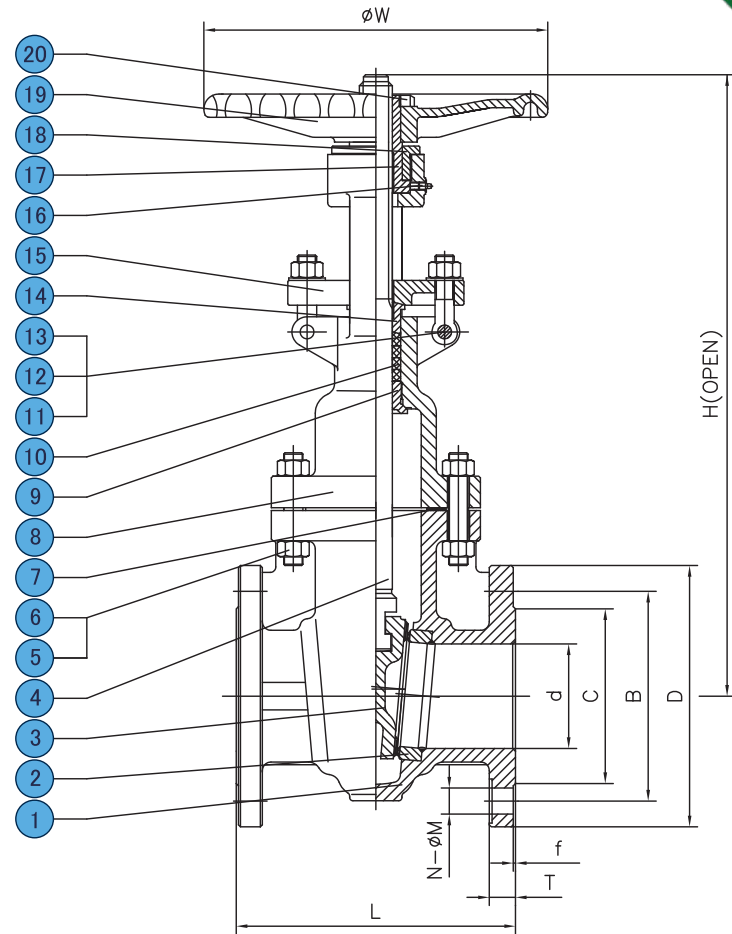
### Dimensions (mm):

SIZE		d	D	B	C	W	L	H	T	f	N	M	Weight kg
in	DN												
5"	125	127	254	216.0	186	280	254	710	24	1.6	8	22	55
6"	150	152	279	241.5	216	300	267	780	26	1.6	8	22	70
8"	200	203	343	298.5	270	350	292	975	29	1.6	8	22	115

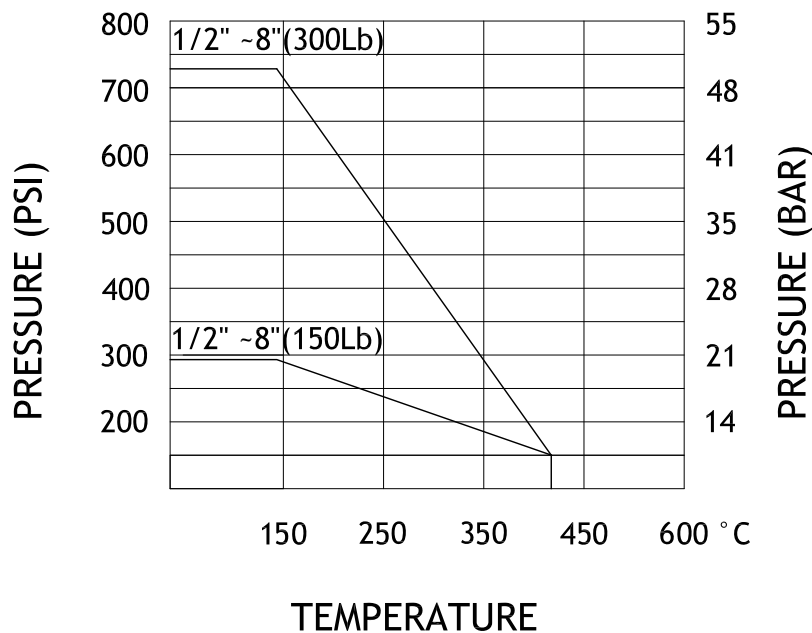


## Material List

NO.	PART NAME	MATERIAL
1	BODY	ASTM A216 WCB
2	SEAT RING	ASTM A105 +13Cr/STL
3	WEDGE	ASTM A216 WCB +13Cr
4	STEM	ASTM A182 F6a
5	BONNET NUT	ASTM A194 2H
6	BONNET BOLT	ASTM A193 B7
7	GASKET	SS304+FLEXIBLE GRAPHITE
8	BONNET	ASTM A216 WCB
9	BACKSEAT BUSHING	ASTM A182 F6a
10	STEM PACKING	FLEXIBLE GRAPHITE
11	PIN	AISI 1025
12	GLAND EYEBOLT	ASTM A193 B7
13	GLAND NUT	ASTM A194 2H
14	GLAND	ASTM A182 F6a
15	GLAND FLANGE	ASTM A216 WCB
16	NIPPLE	COOPER ALLOY
17	STEM NUT	ASTM A439 D2
18	RETAINING NUT	AISI 1025
19	HANDWHEEL	DUCTILE IRON
20	LOCK NUT	AISI 1025



## PRESSURE-TEMPERATURE RATING



## API600 FLANGED END GATE VALVE Model : Class 150LB, NPS 10"~12"

### Features:

Cast steel body construction providing liberal strength to meet most conditions  
Integral yoke & bonnet; Outside screw & yoke, bolted bonnet  
Single flexible wedge disc compensates for deformation of body due to pipe stresses

### Main use:

switch pipeline control , flow direction adjustment, control medium  
The advantages of gate valve: small flow resistance, labor saving when starting and closing, water hammer phenomenon is not easy to produce, short structure length, wide application range, compact structure  
Industries used: Construction, chemical, food, water treatment, oil and gas

### Performance Standard

Design to ASME B16.34  
Face-to-Face/End-to-End: ASME B16.10  
Flange Dimensions: ASME B16.5  
Weld End: ASME B.16.25  
Basic Design: API 600

### Performance Specification

Nominal Pressure	Class 150Lb	Test Medium
Shell Test	(3.0MPa)	Water
Seal Test	(2.2MPa)	
Back Seal Test	(2.2MPa)	
Air Seal Test	80Lb(0.6MPa)	Air
Suitable Temperature	-29~425°C	
Suitable Media	Water/Steam/Oil	

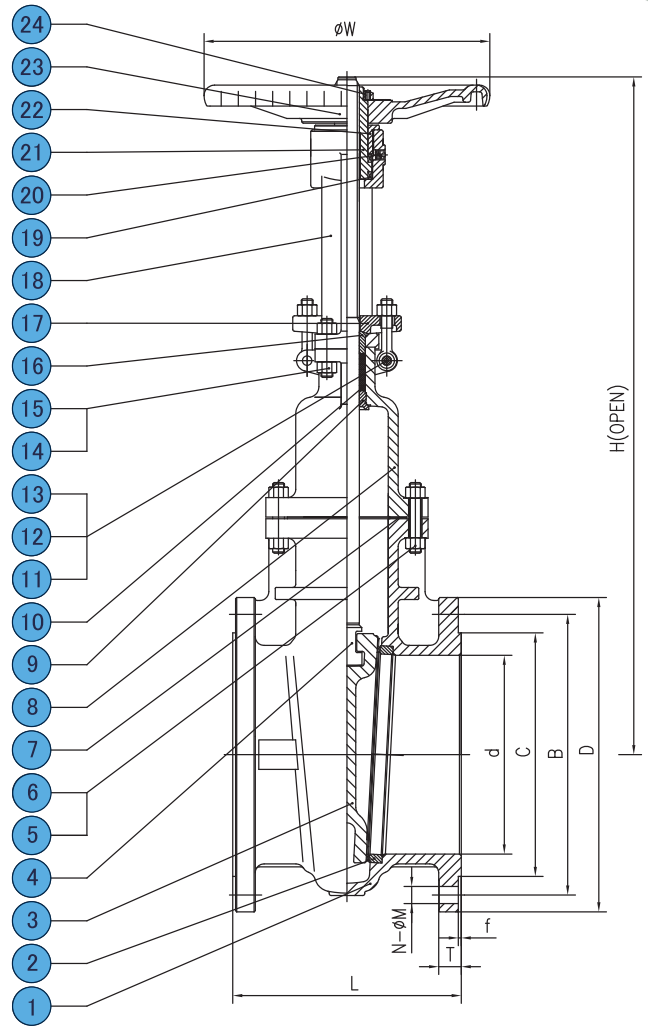
### Dimensions (mm):

SIZE	d	D	B	C	W	L	H	T	f	N	M	Weight
in DN												kg
10" 250	254	406	362.0	324	400	330	1150	31	1.6	12	25	165
12" 300	305	483	432.0	381	450	356	1380	32	1.6	12	25	260

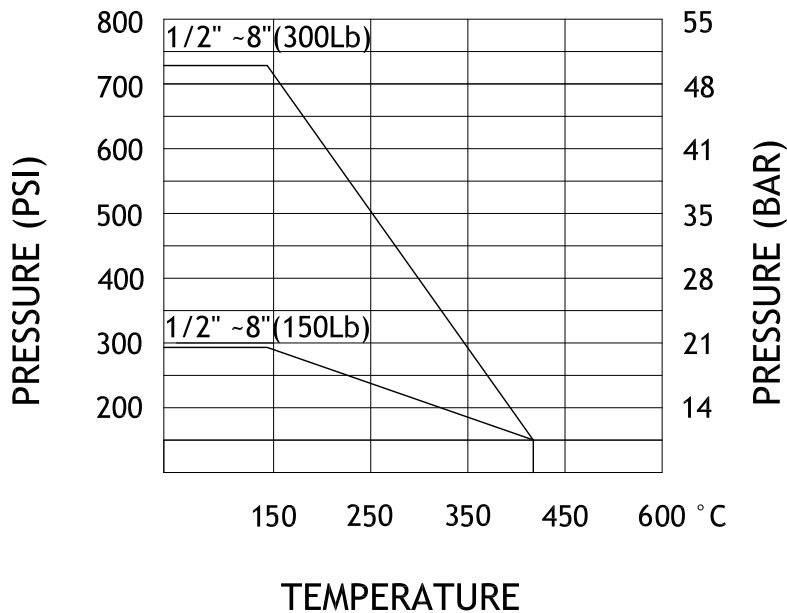


**Material List**

NO.	PART NAME	MATERIAL
1	BODY	ASTM A216 WCB
2	SEAT RING	ASTM A105 +13Cr/STL
3	WEDGE	ASTM A216 WCB +13Cr
4	STEM	ASTM A182 F6a
5	BONNET NUT	ASTM A194 2H
6	BONNET BOLT	ASTM A193 B7
7	GASKET	SS304+FLEXIBLE GRAPHITE
8	BONNET	ASTM A216 WCB
9	BACKSEAT BUSHING	ASTM A182 F6a
10	STEM PACKING	FLEXIBLE GRAPHITE
11	PIN	AISI 1025
12	GLAND EYEBOLT	ASTM A193 B7
13	GLAND NUT	ASTM A194 2H
14	YOKE BOLT	ASTM A193 B7
15	YOKE NUT	ASTM A194 2H
16	GLAND	ASTM A182 F6a
17	GLAND FLANGE	ASTM A216 WCB
18	YOKE	ASTM A216 WCB
19	BEARING	ALLOY STEEL
20	NIPPLE	COOPER ALLOY
21	STEM NUT	ASTM A439 D2
22	RETAINING NUT	AISI 1025
23	HANDWHEEL	DUCTILE IRON
24	LOCK NUT	AISI 1025



**PRESSURE-TEMPERATURE RATING**



## API600 FLANGED END GATE VALVE

**Model : Class 150LB, NPS 14"~24"**

### Features:

Cast steel body construction providing liberal strength to meet most conditions  
Integral yoke & bonnet; Outside screw & yoke, bolted bonnet  
Single flexible wedge disc compensates for deformation of body due to pipe stresses

### Main use:

switch pipeline control , flow direction adjustment, control medium  
The advantages of gate valve: small flow resistance, labor saving when starting and closing, water hammer phenomenon is not easy to produce, short structure length, wide application range, compact structure  
Industries used: Construction, chemical, food, water treatment, oil and gas

### Performance Standard

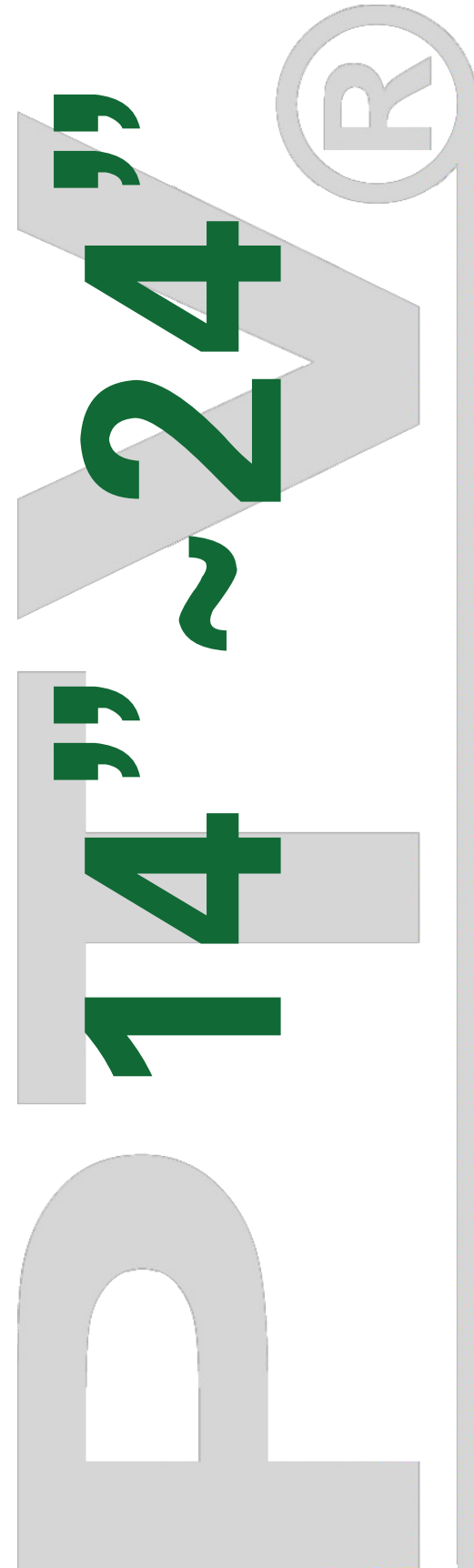
Design to ASME B16.34  
Face-to-Face/End-to-End: ASME B16.10  
Flange Dimensions: ASME B16.5  
Weld End: ASME B.16.25  
Basic Design: API 600

### Performance Specification

Nominal Pressure	Class 150Lb	Test Medium
Shell Test	(3.0MPa)	Water
Seal Test	(2.2MPa)	
Back Seal Test	(2.2MPa)	
Air Seal Test	80Lb(0.6MPa)	Air
Suitable Temperature	-29~425°C	
Suitable Media	Water/Steam/Oil	

### Dimensions (mm):

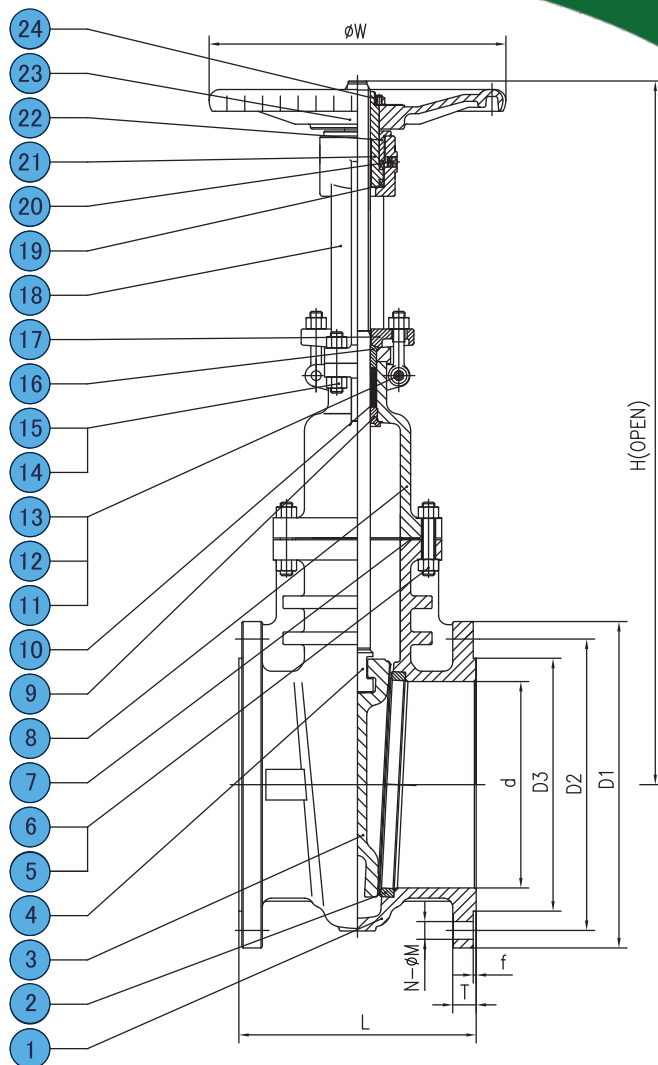
SIZE		d	D	B	C	W	L	H	T	f	N	M	Weight kg
in	DN												
14"	350	337	533	478.0	413	500	381	1545	35	1.6	12	29	350
16"	400	387	597	540.0	470	550	406	1733	37	1.6	16	29	460
18"	450	438	635	578.0	533	600	432	1915	40	1.6	16	32	
20"	500	489	699	635.0	584	700	457	2120	43	1.6	20	32	
24"	600	591	813	749.5	692	700	508	2520	48	1.6	20	35	



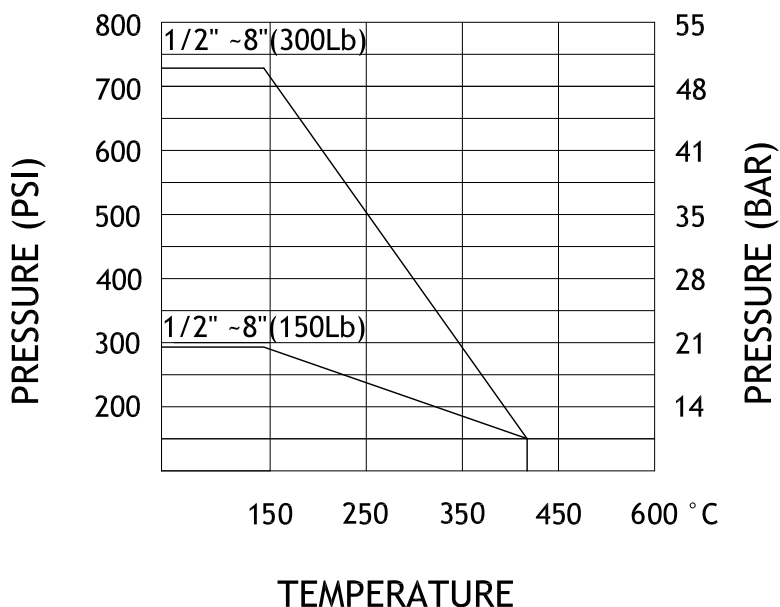


**Material List**

NO.	PART NAME	MATERIAL
1	BODY	ASTM A216 WCB
2	SEAT RING	ASTM A105 +13Cr/STL
3	WEDGE	ASTM A216 WCB +13Cr
4	STEM	ASTM A182 F6a
5	BONNET NUT	ASTM A194 2H
6	BONNET BOLT	ASTM A193 B7
7	GASKET	SS304+FLEXIBLE GRAPHITE
8	BONNET	ASTM A216 WCB
9	BACKSEAT BUSHING	ASTM A182 F6a
10	STEM PACKING	FLEXIBLE GRAPHITE
11	PIN	AISI 1025
12	GLAND EYEBOLT	ASTM A193 B7
13	GLAND NUT	ASTM A194 2H
14	YOKE BOLT	ASTM A193 B7
15	YOKE NUT	ASTM A194 2H
16	GLAND	ASTM A182 F6a
17	GLAND FLANGE	ASTM A216 WCB
18	YOKE	ASTM A216 WCB
19	BEARING	ALLOY STEEL
20	NIPPLE	COOPER ALLOY
21	STEM NUT	ASTM A439 D2
22	RETAINING NUT	AISI 1025
23	HANDWHEEL	DUCTILE IRON
24	LOCK NUT	AISI 1025



**PRESSURE-TEMPERATURE RATING**





## API600 FLANGED END GATE VALVE

Model : Class 300, NPS 2" ~ 4"

### Features:

Cast steel body construction providing liberal strength to meet most conditions  
Integral yoke & bonnet; Outside screw & yoke, bolted bonnet  
Single flexible wedge disc compensates for deformation of body due to pipe stresses

### Main use:

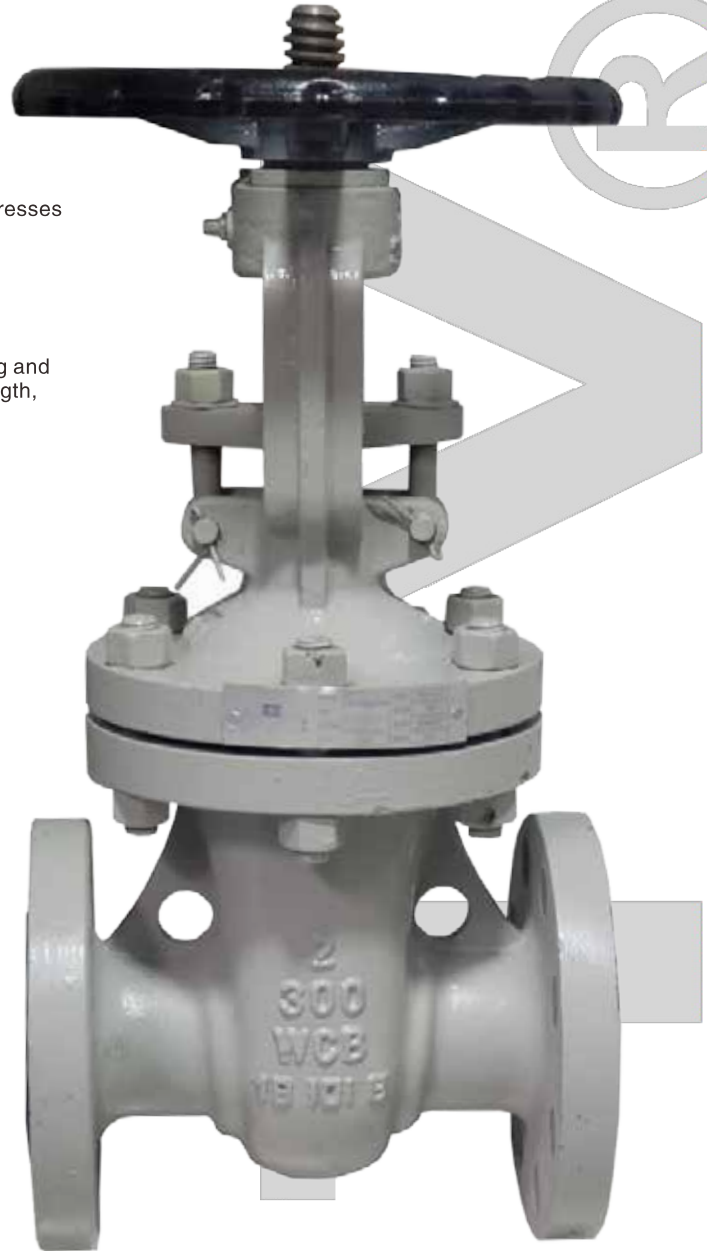
switch pipeline control , flow direction adjustment , control medium  
The advantages of gate valve: small flow resistance, labor saving when starting and closing, water hammer phenomenon is not easy to produce, short structure length, wide application range, compact structure  
Industries used: Construction, chemical, food, water treatment, oil and gas

### Performance Standard

Design to ASME B16.34  
Face-to-Face/End-to-End: ASME B16.10  
Flange Dimensions: ASME B16.5  
Weld End: ASME B.16.25  
Basic Design: API 600

### Performance Specification

Nominal Pressure	5.11Mpa	water
Intensity test	7.7Mpa	
Back seal test	5.7Mpa	
Seal test	0.6Mpa	gas
Gas test	0.6Mpa	
Working Temperature	-29 - +425°C	
Medium:wate oil & gas		

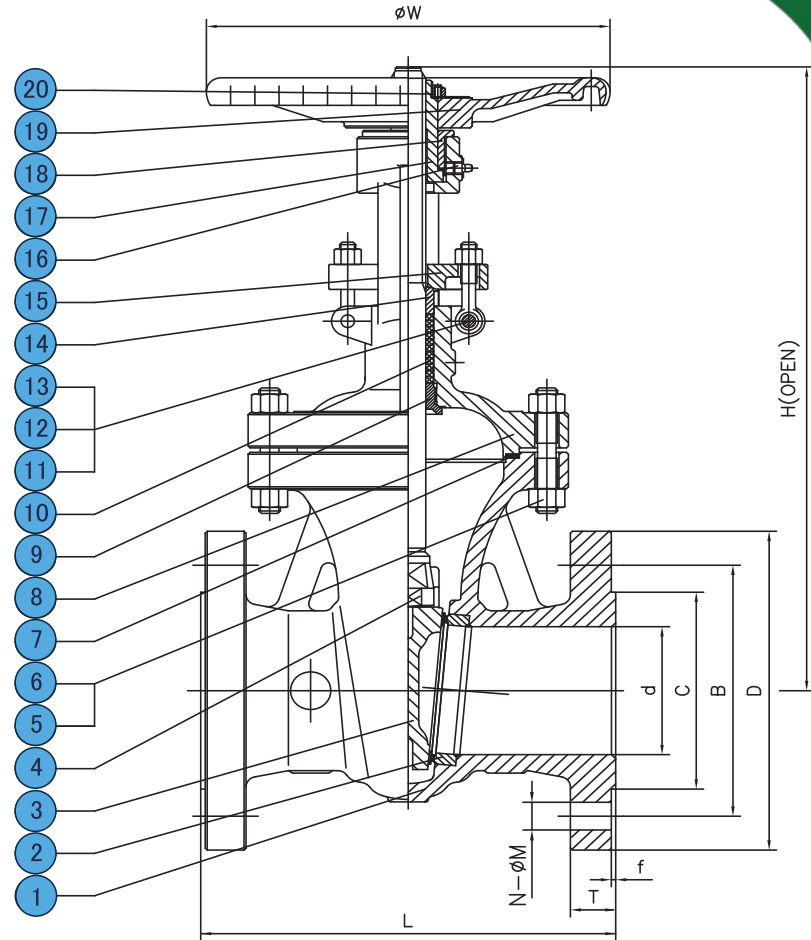


### Dimensions (mm):

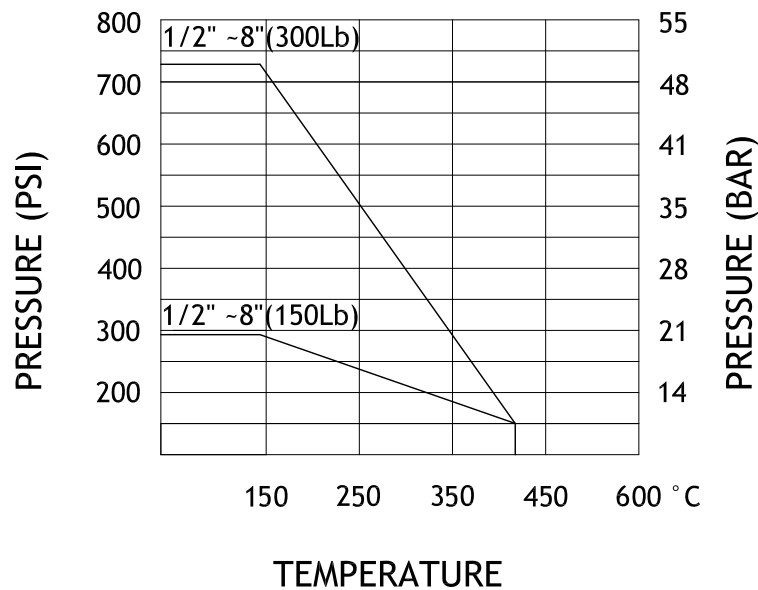
SIZE	d	D	B	C	W	L	H	T	f	N	M	Weight	
in DN												kg	
2"	15	51	165	127.0	92	200	216	420	23	1.6	8	19	14
2-1/2"	65	64	190	149.0	105	220	241	446	26	1.6	8	22	24
3"	80	76	210	168.5	127	250	283	537	29	1.6	8	22	31
4"	100	102	254	200.0	157	280	305	619	32	1.6	8	22	43

## Material List

NO.	PART NAME	MATERIAL
1	BODY	ASTM A216 WCB
2	SEAT RING	ASTM A105 +13Cr/STL
3	WEDGE	ASTM A216 WCB +13Cr
4	STEM	ASTM A182 F6a
5	BONNET NUT	ASTM A194 2H
6	BONNET BOLT	ASTM A193 B7
7	GASKET	SS304+FLEXIBLE GRAPHITE
8	BONNET	ASTM A216 WCB
9	BACKSEAT BUSHING	ASTM A182 F6a
10	STEM PACKING	FLEXIBLE GRAPHITE
11	PIN	AISI 1025
12	GLAND EYEBOLT	ASTM A193 B7
13	GLAND NUT	ASTM A194 2H
14	GLAND	ASTM A182 F6a
15	GLAND FLANGE	ASTM A216 WCB
16	NIPPLE	COOPER ALLOY
17	STEM NUT	ASTM A439 D2
18	RETAINING NUT	AISI 1025
19	HANDWHEEL	DUCTILE IRON
20	LOCK NUT	AISI 1025



## PRESSURE-TEMPERATURE RATING



## API600 FLANGED END GATE VALVE

Model : Class 300, NPS 5" ~ 8"

### Features:

Cast steel body construction providing liberal strength to meet most conditions  
Integral yoke & bonnet; Outside screw & yoke, bolted bonnet  
Single flexible wedge disc compensates for deformation of body due to pipe stresses

### Main use:

switch pipeline control , flow direction adjustment , control medium  
The advantages of gate valve: small flow resistance, labor saving when starting and closing, water hammer phenomenon is not easy to produce, short structure length, wide application range, compact structure  
Industries used: Construction, chemical, food, water treatment, oil and gas

### Performance Standard

Design to ASME B16.34  
Face-to-Face/End-to-End: ASME B16.10  
Flange Dimensions: ASME B16.5  
Weld End: ASME B.16.25  
Basic Design: API 600

### Performance Specification

Nominal Pressure	5.11Mpa	water
Intensity test	7.7Mpa	
Back seal test	5.7Mpa	
Seal test	0.6Mpa	gas
Gas test	0.6Mpa	
Working Temperature	-29 - +425℃	
Medium:wate oil & gas		

### Dimensions (mm):

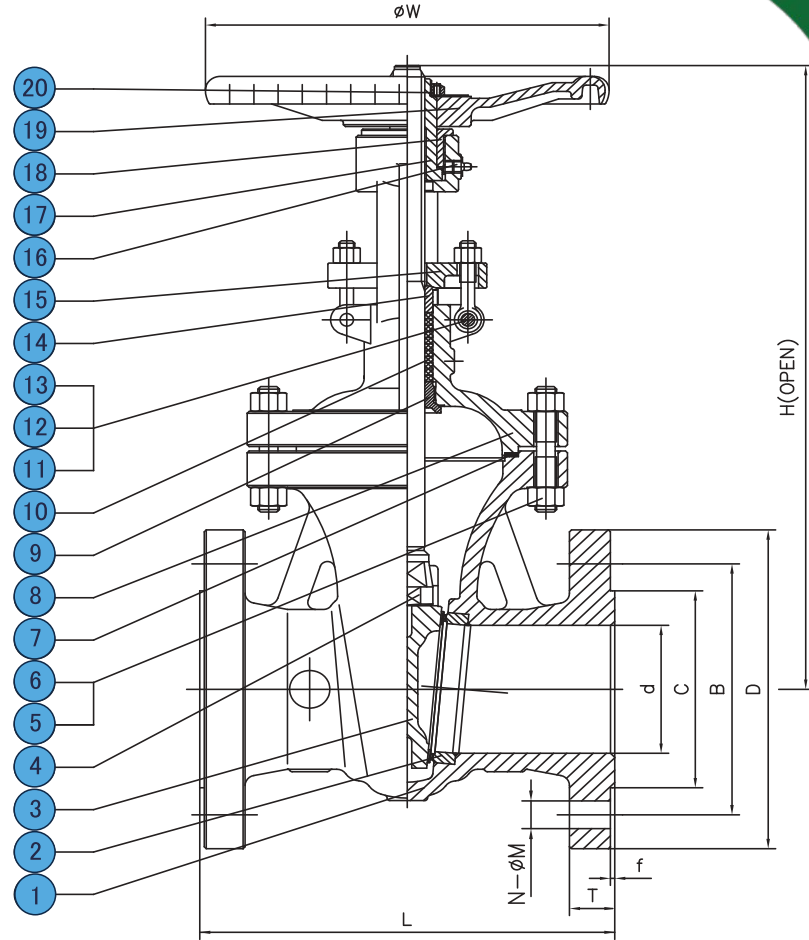
SIZE		d	D	B	C	W	L	H	T	f	N	M	Weight kg
in	DN												
6"	150	152	318	270.0	216	350	403	806	37	1.6	12	22	70
8"	200	203	381	330.0	270	400	419	1000	42	1.6	12	25	115



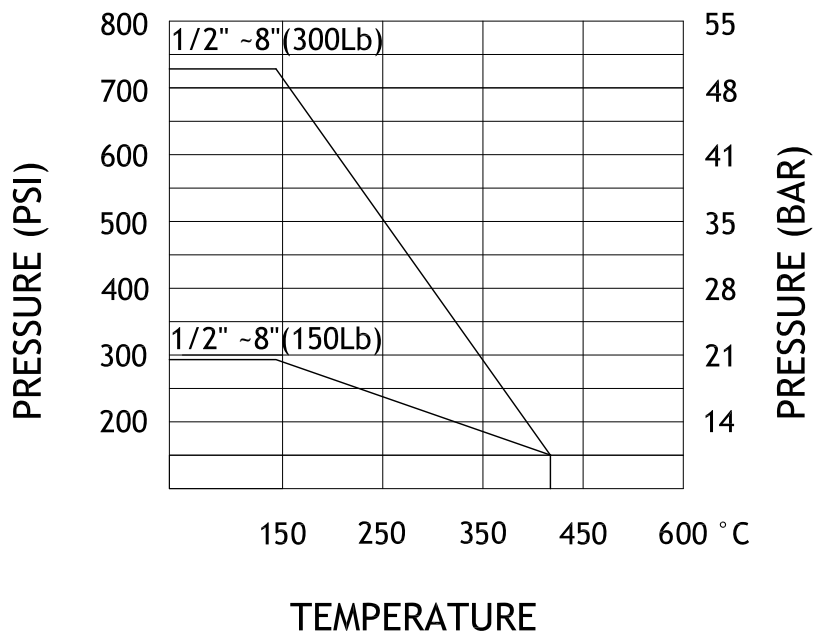
Model : Class 300, NPS 5" ~ 8"

### Material List

NO.	PART NAME	MATERIAL
1	BODY	ASTM A216 WCB
2	SEAT RING	ASTM A105 +13Cr/STL
3	WEDGE	ASTM A216 WCB +13Cr
4	STEM	ASTM A182 F6a
5	BONNET NUT	ASTM A194 2H
6	BONNET BOLT	ASTM A193 B7
7	GASKET	SS304+FLEXIBLE GRAPHITE
8	BONNET	ASTM A216 WCB
9	BACKSEAT BUSHING	ASTM A182 F6a
10	STEM PACKING	FLEXIBLE GRAPHITE
11	PIN	AISI 1025
12	GLAND EYEBOLT	ASTM A193 B7
13	GLAND NUT	ASTM A194 2H
14	GLAND	ASTM A182 F6a
15	GLAND FLANGE	ASTM A216 WCB
16	NIPPLE	COOPER ALLOY
17	STEM NUT	ASTM A439 D2
18	RETAINING NUT	AISI 1025
19	HANDWHEEL	DUCTILE IRON
20	LOCK NUT	AISI 1025



### PRESSURE-TEMPERATURE RATING



## API600 FLANGED END GATE VALVE

Model : Class 300, NPS 10" ~ 18"

### Features:

Cast steel body construction providing liberal strength to meet most conditions  
Integral yoke & bonnet; Outside screw & yoke, bolted bonnet  
Single flexible wedge disc compensates for deformation of body due to pipe stresses

### Main use:

switch pipeline control , flow direction adjustment, control medium  
The advantages of gate valve: small flow resistance, labor saving when starting and closing, water hammer phenomenon is not easy to produce, short structure length, wide application range, compact structure  
Industries used: Construction, chemical, food, water treatment, oil and gas

### Performance Standard

Design to ASME B16.34  
Face-to-Face/End-to-End: ASME B16.10  
Flange Dimensions: ASME B16.5  
Weld End: ASME B.16.25  
Basic Design: API 600

### Performance Specification

Nominal Pressure	5.11Mpa	
Intensity test	7.7Mpa	water
Back seal test	5.7Mpa	
Seal test	0.6Mpa	gas
Gas test	0.6Mpa	
Working Temperature	-29 - +425℃	
Medium:wate oil & gas		

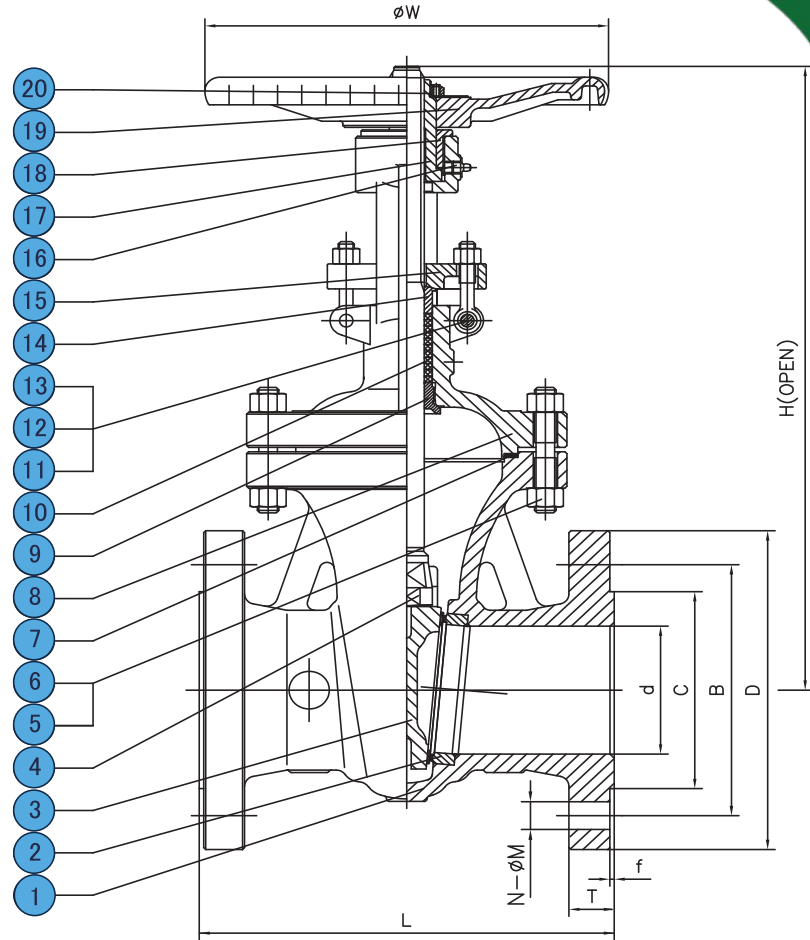
### Dimensions (mm):

SIZE in DN	d	D	B	C	W	L	H	T	f	N	M	Weight kg	
10"	250	254	445	387.5	324	450	457	1240	48	1.6	16	29	165
12"	300	305	521	451.0	381	500	502	1425	51	1.6	16	32	260
14"	300	337	584	514.5	413	600	762	1585	54	1.6	20	32	350
16"	300	387	648	571.5	470	600	838	1790	58	1.6	20	35	460
18"	300	432	711	628.5	533	700	914	1960	61	1.6	24	35	

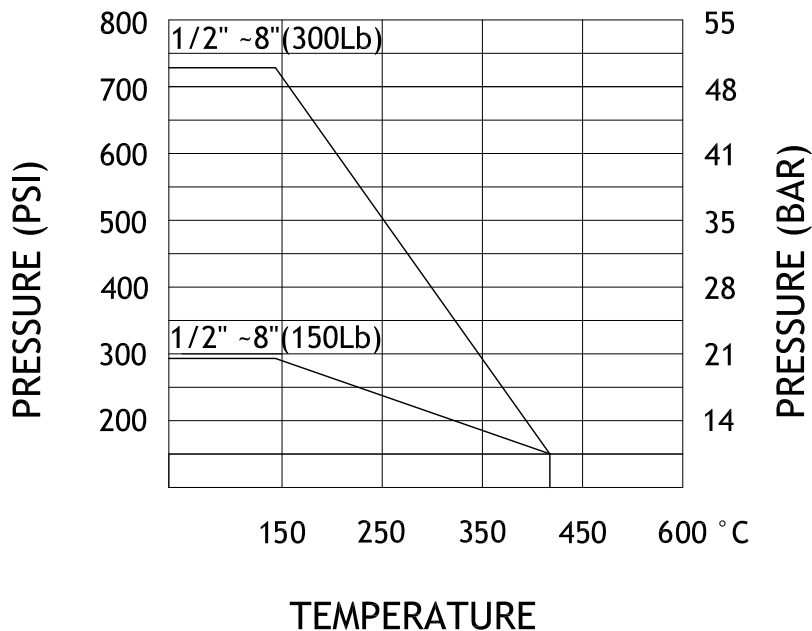


**Material List**

NO.	PART NAME	MATERIAL
1	BODY	ASTM A216 WCB
2	SEAT RING	ASTM A105 +13Cr/STL
3	WEDGE	ASTM A216 WCB +13Cr
4	STEM	ASTM A182 F6a
5	BONNET NUT	ASTM A194 2H
6	BONNET BOLT	ASTM A193 B7
7	GASKET	SS304+FLEXIBLE GRAPHITE
8	BONNET	ASTM A216 WCB
9	BACKSEAT BUSHING	ASTM A182 F6a
10	STEM PACKING	FLEXIBLE GRAPHITE
11	PIN	AISI 1025
12	GLAND EYEBOLT	ASTM A193 B7
13	GLAND NUT	ASTM A194 2H
14	GLAND	ASTM A182 F6a
15	GLAND FLANGE	ASTM A216 WCB
16	NIPPLE	COOPER ALLOY
17	STEM NUT	ASTM A439 D2
18	RETAINING NUT	AISI 1025
19	HANDWHEEL	DUCTILE IRON
20	LOCK NUT	AISI 1025



**PRESSURE-TEMPERATURE RATING**



## API600 FLANGED END GATE VALVE Model : Class 300, NPS 20"

### Features:

Cast steel body construction providing liberal strength to meet most conditions  
Integral yoke & bonnet; Outside screw & yoke, bolted bonnet  
Single flexible wedge disc compensates for deformation of body due to pipe stresses

### Main use:

switch pipeline control , flow direction adjustment, control medium  
The advantages of gate valve: small flow resistance, labor saving when starting and closing, water hammer phenomenon is not easy to produce, short structure length, wide application range, compact structure  
Industries used: Construction, chemical, food, water treatment, oil and gas

### Performance Standard

Design to ASME B16.34  
Face-to-Face/End-to-End: ASME B16.10  
Flange Dimensions: ASME B16.5  
Weld End: ASME B.16.25  
Basic Design: API 600

### Performance Specification

Nominal Pressure	5.11Mpa	
Intensity test	7.7Mpa	water
Back seal test	5.7Mpa	
Seal test	0.6Mpa	gas
Gas test	0.6Mpa	
Working Temperature	-29 - +425℃	
Medium:wate oil & gas		

### Dimensions (mm):

SIZE in	DN	d	D	B	C	L	T	f	N	M	Weight kg
20"	500	483	775	686.0	584	991	64	1.6	24	35	1750

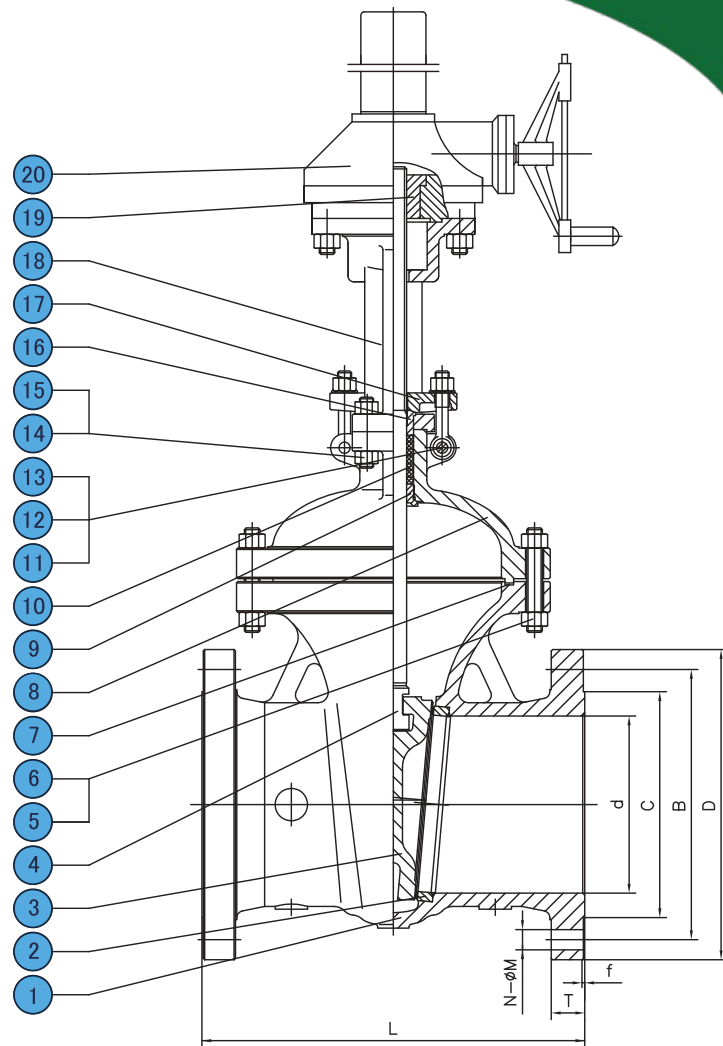




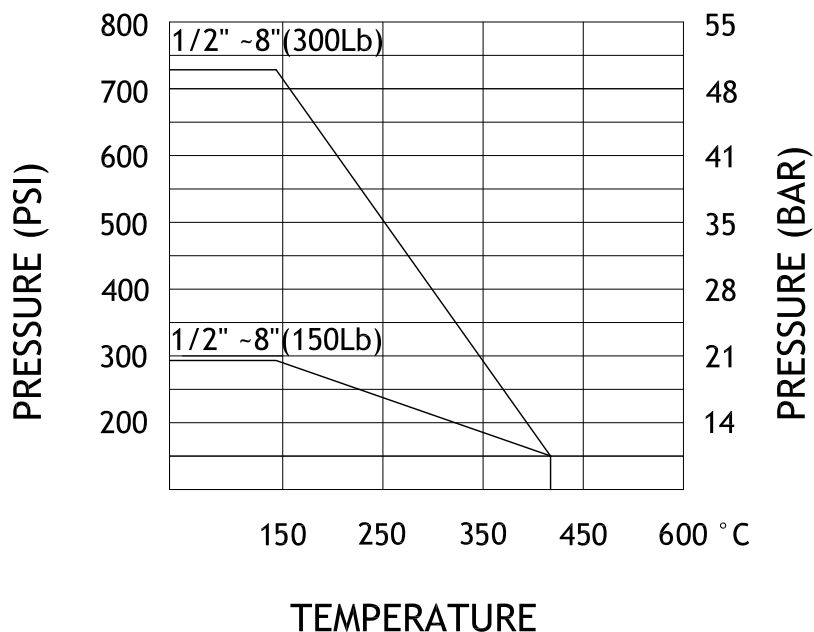
Model : Class 300, NPS 20"

**Material List**

NO.	PART NAME	MATERIAL
1	BODY	ASTM A216 WCB
2	SEAT RING	ASTM A105 +13Cr/STL
3	WEDGE	ASTM A216 WCB +13Cr
4	STEM	ASTM A182 F6a
5	BONNET NUT	ASTM A194 2H
6	BONNET BOLT	ASTM A193 B7
7	GASKET	SS304+FLEXIBLE GRAPHITE
8	BONNET	ASTM A216 WCB
9	BACKSEAT BUSHING	ASTM A182 F6a
10	STEM PACKING	FLEXIBLE GRAPHITE
11	PIN	AISI 1025
12	GLAND EYEBOLT	ASTM A193 B7
13	GLAND NUT	ASTM A194 2H
14	YOKE BOLT	ASTM A193 B7
15	YOKE NUT	ASTM A194 2H
16	GLAND	ASTM A182 F6a
17	GLAND FLANGE	ASTM A216 WCB
18	YOKE	ASTM A216 WCB
19	STEM NUT	ASTM A439 D2
20	GEAR BOX	COMPONENTS



**PRESSURE-TEMPERATURE RATING**



## ORDERING CODE:

**Example: 1000LT-222-1-200**

Ball Valve, SS316 CF8M Body, SS316 CF8M ball and stem,  
RPTFE Seat, NPT Thread, Size 2"

## Available Body Material Code:

SS304 CF8 Stainless Steel: 1

SS316 CF8M Stainless Steel: 2

SS316L CF3M Stainless Steel: 3

## Available Ball and Stem Material:

SS304 CF8 Stainless

Steel: 1 SS316 CF8M

Stainless Steel: 2 SS316L

CF3M Stainless Steel: 3

## Available End Code:

Female NPT Thread: 1

Female BSP Thread: 2

## Available Seat Material Code:

PTFE: 1

RPTFE: 2