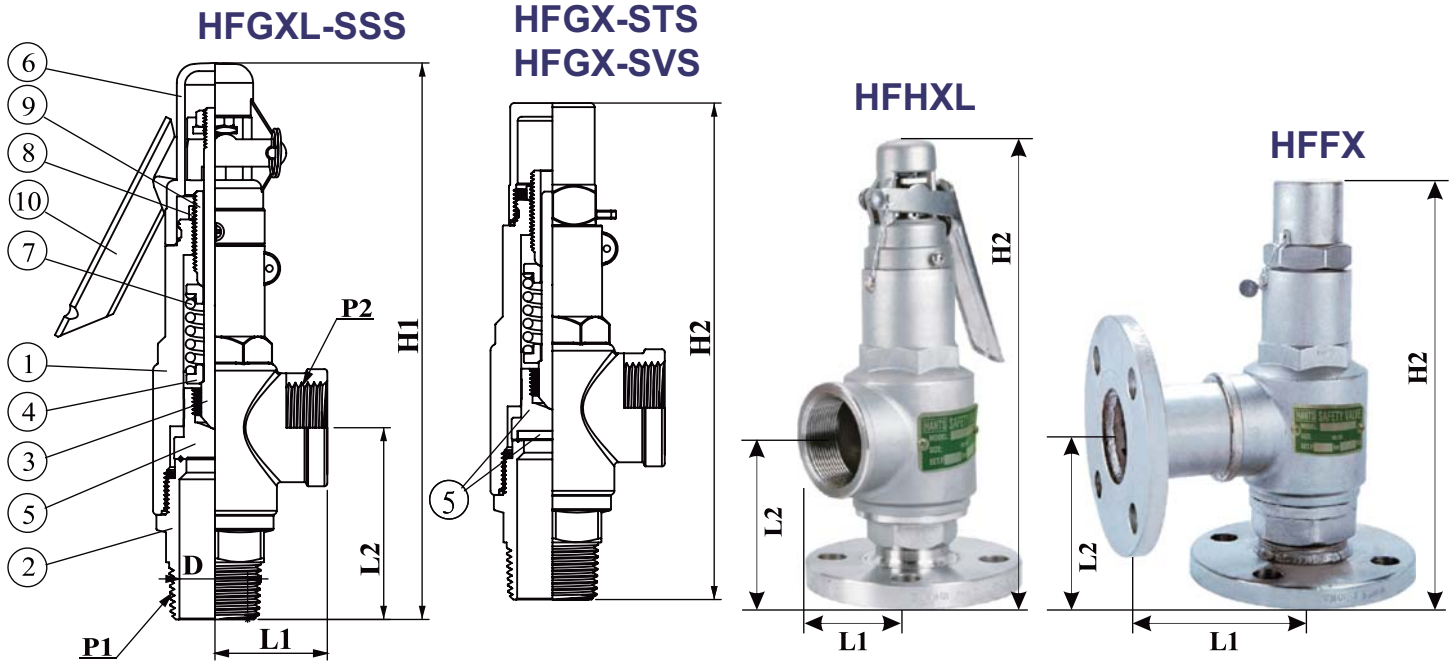


STAINLESS STEEL SAFETY VALVE



General material

NO	TYPE NAME	HFGXL-SSS	HFGX-SSS	HFGXL-SVS	HFGX-SVS	HFGXL-STs	HFGX-STs	HFHXL	HFFX	HFFXL	HFFX
		Safety Valve with Lever metal to metal	Safety Valve with Sealing metal to metal	Safety Valve with Lever Disc insert Vitonl	Safety Valve with Sealing Disc insert Vitonl	Safety Valve with Lever Disc insert PTFE	Safety Valve with Sealing Disc insert PTFE	Inlet: Flange Outlet: Thread	Inlet: Flange Outlet: Thread	Inlet: Flange Outlet: Flange	Inlet: Flange Outlet: Flange
1	VALVE BODY	SS304/316	SS304/316	SS304/316	SS304/316	SS304/316	SS304/316	SS304/316	SS304/316	SS304/316	SS304/316
2	VALVE SEAT	SS316	SS316	SS316	SS316	SS316	SS316	SS304/316	SS304/316	SS304/316	SS304/316
3	SPINDLE	SS304	SS304	SS304	SS304	SS304	SS304	SS304	SS304	SS304	SS304
4	SPRING SEAT	SS304	SS304	SS304	SS304	SS304	SS304	SS304	SS304	SS304	SS304
5	DISC	SS316	SS316	SS316+VITON	SS316+VITON	SS316+PTFE	SS316+PTFE	SS316	SS316	SS316	SS316
6	CAP	SS304	SS304	SS304	SS304	SS304	SS304	SS304	SS304	SS304	SS304
7	SPRING	SS304	SS304	SS304	SS304	SS304	SS304	SS304	SS304	SS304	SS304
8	NUT	SS304	SS304	SS304	SS304	SS304	SS304	SS304	SS304	SS304	SS304
9	ADJUST SCREW	SS304	SS304	SS304	SS304	SS304	SS304	SS304	SS304	SS304	SS304
10	HANDLE	SS304	-	SS304	-	SS304	-	SS304	-	SS304	-
WORKING PRESSURE (Kg/cm ²)		0.1~110		0.1~50		0.1~50		0.1~110		0.1~110	
WORKING TEMP.(°C)		-196°C~350°C		-40°C~200°C		-40°C~200°C		-196°C~350°C		-196°C~300°C	

Dimension (HFGXL-SSS~HFGX-STs)

NOMINAL				LIFT	L1	L2	H1	H2	Weight(Kg)		
P1	*	D	P2						HFGXL-SSS	HFGX-SSS	
									HFGXL-SVS	HFGX-SVS	
									HFGXL-STs	HFGX-STs	
1/2	*	15	*	1	1.04	41	66	200	179	1.376	1.266
3/4	*	20	*	1	1.52	41	65	199	177	1.354	1.244
1	*	21	*	1	2	41	71	205	183	1.348	1.238
1 1/4	*	33	*	2	2.56	65	101	285	261	5.384	5.212
1 1/2	*	39	*	2	3.04	65	101	285	261	5.23	5.058
2	*	39	*	2	4	65	104	288	265	5.398	5.226

Dimension (HFHXL~HFFX)+ Flanged ends

NOMINAL				LIFT	HFHXL~HFHX				Weight(Kg)		HFFXL~HFFX				Weight(Kg)																			
P1	*	D	P2		L1	L2	H1	H2	HFHXL	HFHX	L1	L2	H1	H2	HFFXL	HFFX																		
																	1/2	*	15	*	1/2	1.04	41	66	200	179	2.5	2.3	84.5	72	203	182	3.4	3.3
																	3/4	*	20	*	3/4	1.52	41	72	-	183	-	2.5	-	72	203	-	182	-
3/4	*	20	*	1	1.52	41	72	199	-	2.6	-	84.5	-	-	182	-	182	-	3.5	-														
1	*	21	*	1	2	41	77	205	183	2.7	2.7	99	77	210	187	187	187	3.7	3.6															
1 1/4	*	33	*	1 1/4	2.56	65	101	285	261	7.5	6.9	128	106	289	265	265	265	8.6	8															
1 1/2	*	39	*	1 1/2	3.04	65	101	285	261	7.7	7	135	107	290	266	266	266	8.9	8.2															
2	*	39	*	2	4	65	104	288	265	8	7.2	129	293	293	268	268	268	9.1	8.3															