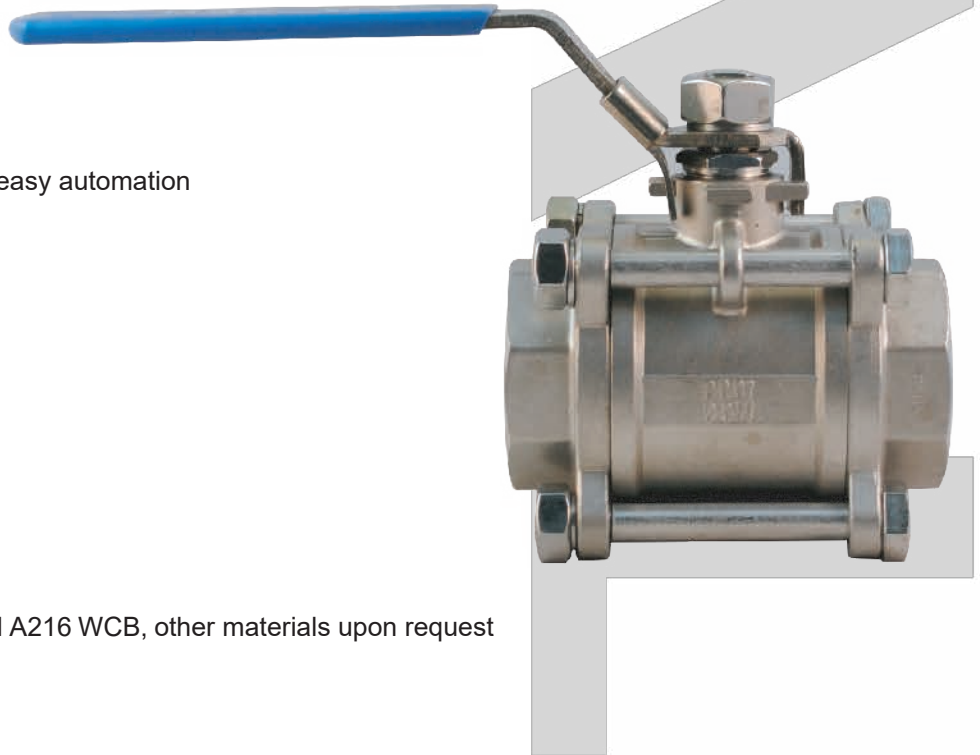


SBM-PTV Series 100SP™ 3PC Ball Valve SS316 CF8M/A216 WCB Body Material

Series 100SP™ Ball valve provide the 3-piece design with the highest flexibility in selection of end connections and seat materials. The 3-piece design features in-line and out-of-line maintenance as the center section can be easily accessed without disturbing the pipe connections. Integrally ISO 5211 cast mounting pads ensure alignment and convenience for ease automation with the bracket and adaptor. All of these valves are suitable for applications requiring high flow capacity and tight shutoff, where reliability, functionality and interchangeability are essential for the product quality at an economical price. Available ends: Female Threaded (NPT), Socket Welded (SW) and Butt Weld (BT).

Features:

- A) Blow-out proof stem, Fire-safe design.
- B) Built in ISO 5211 direct mounting pad for easy automation
- C) Pressure balance hole in ball slot
- D) Various ends available
- E) Handle with locking device
- F) Full bore construction
- G) RPTFE Seat as standard
- H) Investment casting body
- I) Adjustable packing
- J) Disassembly is very convenient
- K) Standard body material SS316 CF8M and A216 WCB, other materials upon request

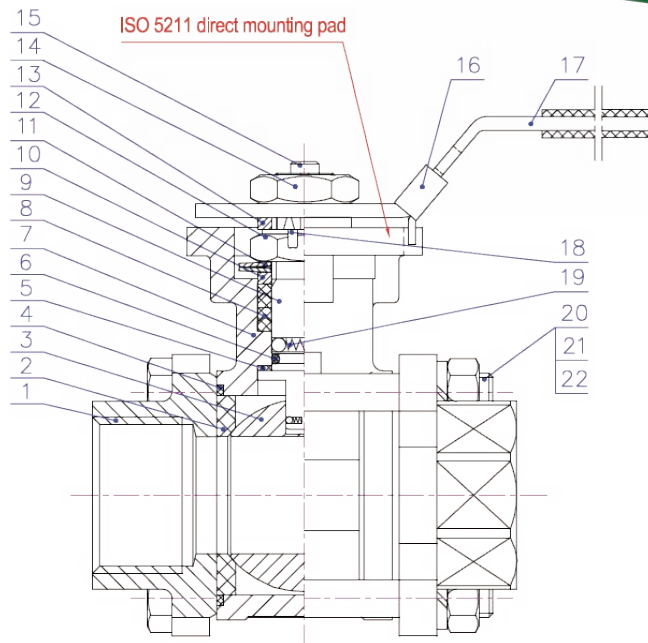


Technical Data

1. Size range: NPS 1/4"~4"
2. Pressure ratings: 1000 PSI Non-Shock 150 PSI WSP
3. Working temperature: -29
4. Suitable Medium: Water, Oil, Gas, Steam. etc
5. Body Material: A351 CF8M / A216 WCB
7. Ball Material: A276 SS316
7. Stem Material: A276 SS316
8. Seat: RPTFE / PTFE

Performance Standard

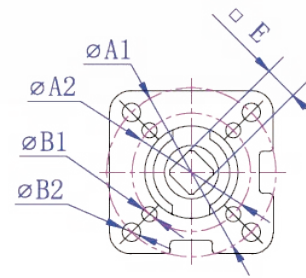
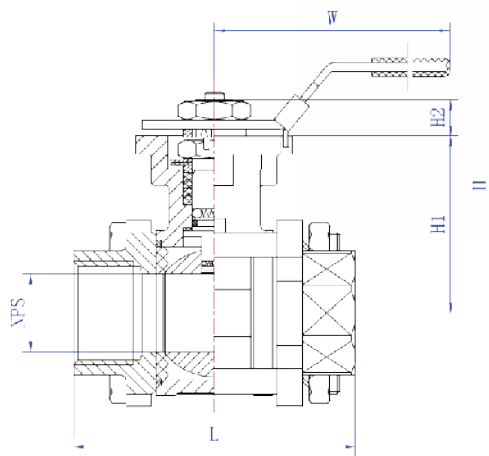
1. Design & Manufacture standard as to: ASME B16.34
MSS SP-110
2. Face to Face dimension standard as to: MFR-STD
SW : ASME B1.20.1
BW : ASME B16.11
4. Testing and Inspection as to: API 598 / MSS SP-110
/ EN 12266
5. Pressure-temperature conforms as to: ASME B16.34
6. Anti- Corrosion as per NACE MR-0175(2002) requirement



Part List:

1000LT™ Ball Valve

| No. | Part Name | Material | Standard |
|-----|--------------------|-----------------|------------------------|
| 1. | Bonnet | CF8M | ASTM A351 |
| 2. | Seat | RPTFE | 25% Carbon filled PTFE |
| 3. | Ball | F316 | ASTM A182 |
| 4. | Gasket | RPTFE | 25% Carbon filled PTFE |
| 5. | Stem Gasket | RPTFE | 25% Carbon filled PTFE |
| 6. | O-Ring | EPDM | BNS-D00040 |
| 7. | Body | CF8M / A216 WCB | ASTM A351 / A216 WCB |
| 8. | Packing | RPTFE | 25% Carbon filled PTFE |
| 9. | Stem | F316 | ASTM A182 |
| 10. | Packing Bushing | SS316 | ASTM A276 |
| 11. | Butterfly Spring | SS316 | ASTM A276 |
| 12. | Stem Nut | SS304 | ASTM A276 |
| 13. | Packing Gland | CF8M | ASTM A351 |
| 14. | Locking Nut | SS304 | A193 B8 |
| 15. | Stop Pin | SS304 | ASTM A276 |
| 16. | Locking Device | SS201 | ASTM A276 |
| 17. | Hand Lever | SS201+PVC | ASTM A276 |
| 18. | Anti Loosing Cap | SS304 | ASTM A276 |
| 19. | Anti-Static Device | SS304 | ASTM A276 |
| 20. | Bolt | SS304 | A193 B8 |
| 21. | Gasket | SS304 | ASTM A276 |
| 22. | Nut | SS304 | A194 8 |

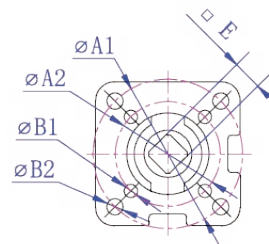
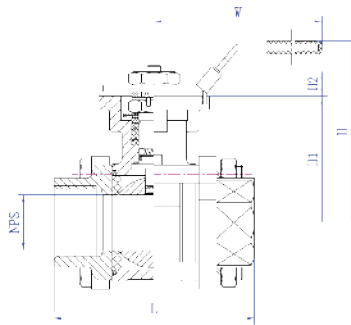


ISO 5211 Direct Mounting Pad

Series 100SP™ Ball Valve Thread NPT End Dimensions:

1. Threaded dimension conforms as to:
NPT ASME B1.20.1

| NPS | NPT | d | L | H | H1 | H2 | cE | W | $\Phi A1$ | $\Phi A2$ | $\Phi B1$ | $\Phi B2$ | ISO5211 | Weight (Kg) | Torque (N*M) |
|--------|--------|-----|-----|-------|-------|----|----|-----|-----------|-----------|-----------|-----------|---------|-------------|--------------|
| 1/4" | 1/4" | 8 | 63 | 67 | 40 | 8 | 9 | 110 | 42 | 36 | 6 | 6 | F03/F04 | 0.35 | 4 |
| 3/8" | 3/8" | 10 | 63 | 67 | 40 | 8 | 9 | 110 | 42 | 36 | 6 | 6 | F03/F04 | 0.34 | 4 |
| 1/2" | 1/2" | 15 | 63 | 67 | 40 | 8 | 9 | 110 | 42 | 36 | 6 | 6 | F03/F04 | 0.42 | 5 |
| 3/4" | 3/4" | 20 | 70 | 71 | 44 | 8 | 9 | 110 | 42 | 36 | 6 | 6 | F03/F04 | 0.52 | 8 |
| 1" | 1" | 25 | 81 | 86 | 55 | 10 | 11 | 160 | 50 | 42 | 6 | 7 | F04/F05 | 0.72 | 12 |
| 1 1/4" | 1 1/4" | 32 | 95 | 91.5 | 60.5 | 10 | 11 | 160 | 50 | 42 | 6 | 7 | F04/F05 | 1.27 | 16 |
| 1 1/2" | 1 1/2" | 39 | 101 | 105.5 | 68.5 | 14 | 14 | 185 | 70 | 50 | 7 | 9 | F05/F07 | 1.49 | 39 |
| 2" | 2" | 48 | 125 | 112.5 | 75.5 | 14 | 14 | 185 | 70 | 50 | 7 | 9 | F05/F07 | 2.2 | 42 |
| 2 1/2" | 2 1/2" | 65 | 168 | 165 | 96 | 16 | 17 | 300 | 102 | 70 | 9 | 11 | F07/F10 | 4.86 | 59 |
| 3" | 3" | 79 | 187 | 175 | 106.5 | 16 | 17 | 305 | 102 | 70 | 9 | 11 | F07/F10 | 6.76 | 85 |
| 4" | 4" | 100 | 252 | 195 | 120 | 16 | 17 | 350 | 102 | 70 | 9 | 11 | F07/F10 | 13.76 | 130 |



ISO 5211 Direct Mounting Pad

Series 100SP™ Ball Valve Socket Weld End Dimensions:

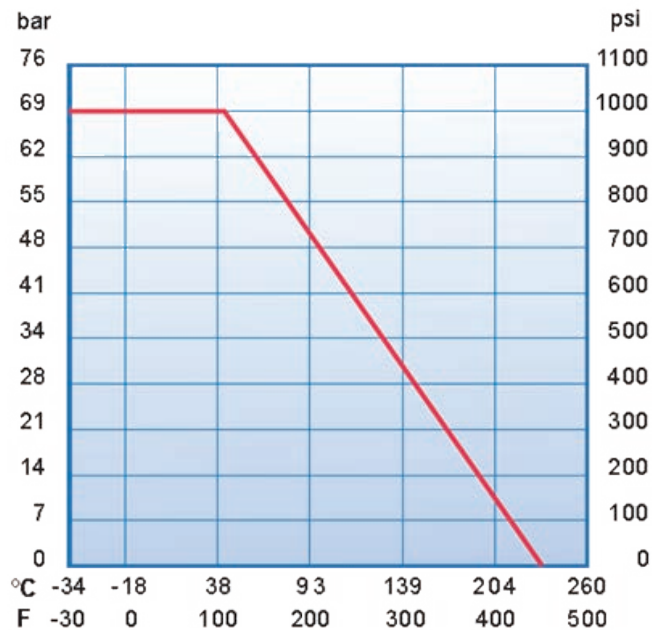
Socket Weld dimension conforms as to:
ASME B16.11

| NPS | S | A | d | L | H | H1 | H2 | cE | W | $\Phi A1$ | $\Phi A2$ | $\Phi B1$ | $\Phi B2$ | ISO5211 | Weight (Kg) | Torque (N*M) |
|--------|-------|------|-----|-----|-------|-------|----|----|-----|-----------|-----------|-----------|-----------|----------|-------------|--------------|
| 1/4" | 14.1 | 9.6 | 8 | 63 | 67 | 40 | 8 | 9 | 110 | 42 | 36 | 6 | 6 | F03/F04 | 0.35 | 4 |
| 3/8" | 17.6 | 9.6 | 10 | 63 | 67 | 40 | 8 | 9 | 110 | 42 | 36 | 6 | 6 | F03/F04 | 0.34 | 4 |
| 1/2" | 21.8 | 9.6 | 15 | 63 | 67 | 40 | 8 | 9 | 110 | 42 | 36 | 6 | 6 | F03/F04 | 0.42 | 5 |
| 3/4" | 27.1 | 12.7 | 20 | 70 | 71 | 44 | 8 | 9 | 110 | 42 | 36 | 6 | 6 | F03/F04 | 0.52 | 8 |
| 1" | 33.8 | 12.7 | 25 | 81 | 86 | 55 | 10 | 11 | 160 | 50 | 42 | 6 | 7 | F04/F05 | 0.72 | 12 |
| 1 1/4" | 42.6 | 12.7 | 32 | 95 | 91.5 | 60.5 | 10 | 11 | 160 | 50 | 42 | 6 | 7 | F04/F05 | 1.27 | 16 |
| 1 1/2" | 48.7 | 12.7 | 39 | 101 | 105.5 | 68.5 | 14 | 14 | 185 | 70 | 50 | 7 | 9 | F05/F07 | 1.49 | 39 |
| 2" | 61.1 | 15.9 | 48 | 125 | 112.5 | 75.5 | 14 | 14 | 185 | 70 | 50 | 7 | 9 | F05/F07 | 2.2 | 42 |
| 2 1/2" | 73.9 | 15.9 | 65 | 168 | 165 | 96 | 16 | 17 | 300 | 102 | 70 | 9 | 11 | F07/F010 | 4.86 | 59 |
| 3" | 89.8 | 15.9 | 79 | 187 | 175 | 106.5 | 16 | 17 | 300 | 102 | 70 | 9 | 11 | F07/F010 | 6.76 | 85 |
| 4" | 115.2 | 15.9 | 100 | 240 | 195 | 120 | 16 | 17 | 300 | 102 | 70 | 9 | 11 | F07/F010 | 13.76 | 130 |

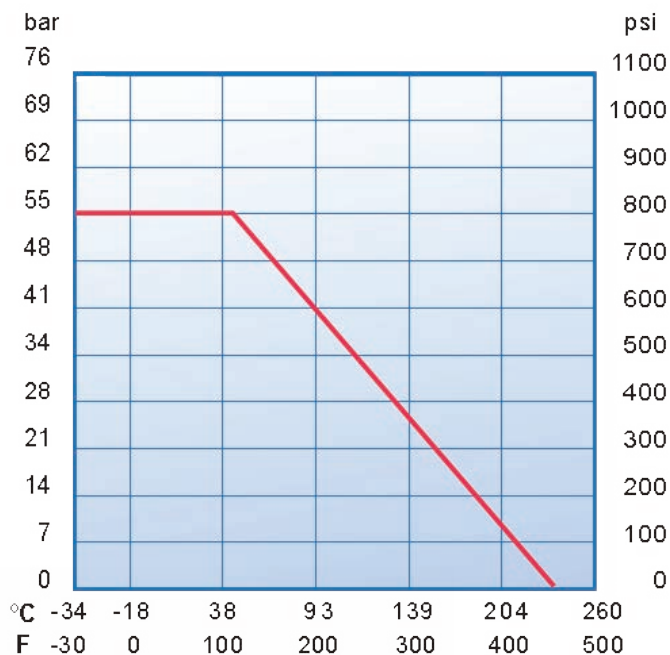
SBM PTV Engineering Data

Pressure and Temperature rating chart indicate bore size:

Size: 1/4" ~ 2" (DN8 ~ DN50)



Size: 2 1/2" ~ 4" (DN65 ~ DN100)



ORDERING CODE:

Example: 1000LT-222-1-200

Ball Valve, SS316 CF8M Body, SS316 CF8M ball and stem,
RPTFE Seat, NPT Thread, Size 2"

Available Body Material Code:

SS304 CF8 Stainless Steel: 1

SS316 CF8M Stainless Steel: 2

SS316L CF3M Stainless Steel: 3

Available Ball and Stem Material:

SS304 CF8 Stainless

Steel: 1 SS316 CF8M

Stainless Steel: 2 SS316L

CF3M Stainless Steel: 3

Available End Code:

Female NPT Thread: 1

Female BSP Thread: 2

Available Seat Material Code:

PTFE: 1

RPTFE: 2